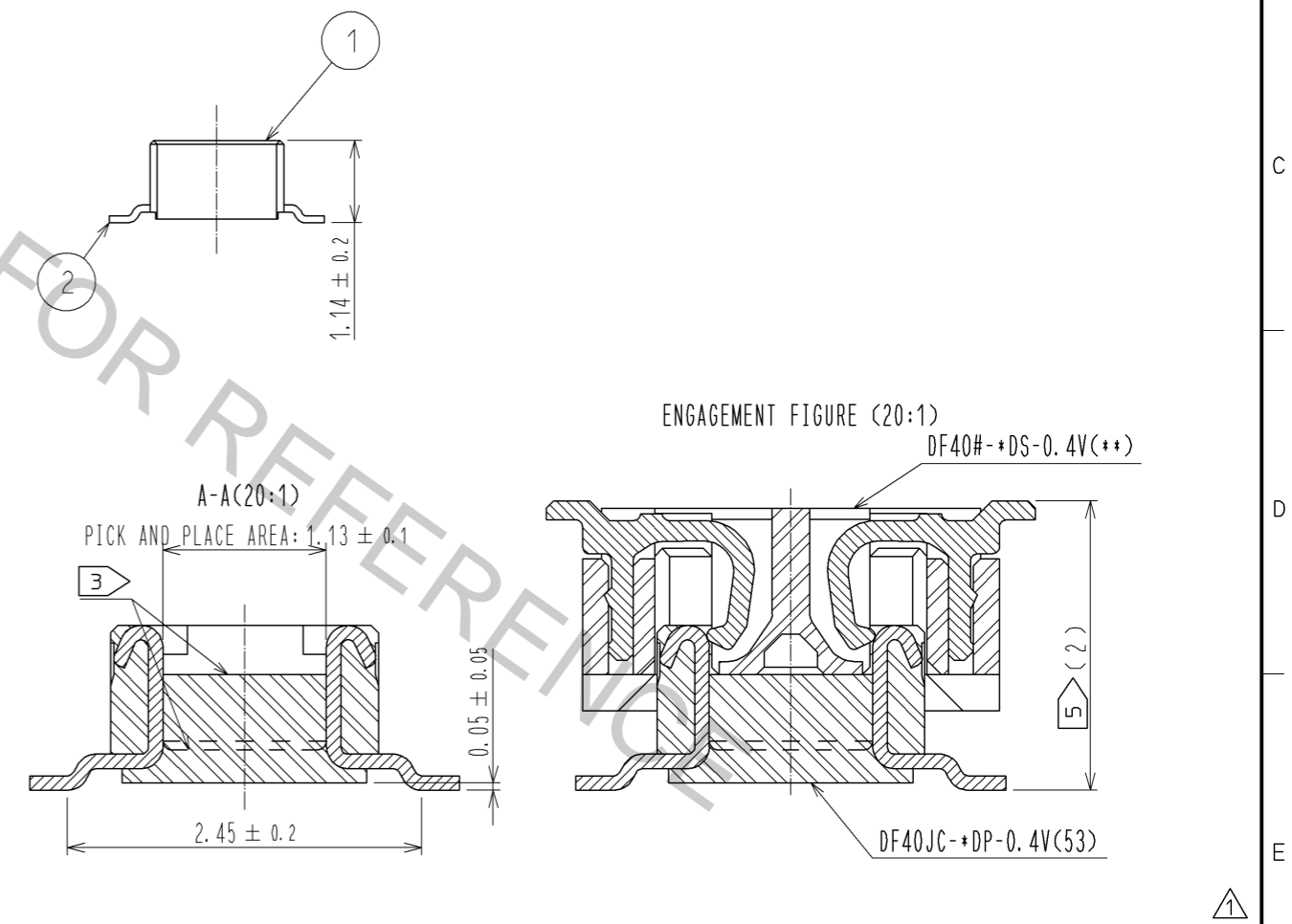


- NOTES)
1. ALL LEADS CO-PLANARITY SHALL BE 0.1mm MAX.
 2. EACH ONE CONTACT AT 4 CORNERS SHALL BE USED AS METAL HOLD DOWN.
 3. FROM 10PIN TO 34PIN, THE CONNECTOR PICK AND PLACE POSITION IS LITTLE HIGHER THAN OTHER PINCOUNTS SINCE ALL THE BOTTOM PART OF CONNECTOR HOUSING IS CONVEXED.
 4. HRS MARK AND CAV NO. ARE INDICATED IN APPROXIMAL POSITION SHOWN.
 5. THE DIMENSIONS INDICATED IN THE FIGURE IS REFERENCE.
 AN ELECTRIC PERFORMANCE IS GUARANTEED BY BEING MAINTAINED AS SHOWN IN THE FIGURE.

| PART NO. | CL CODE | B | C | D |
|-----------------------|-----------------|-------|------|-----|
| DF40JC-10DP-0.4V(53) | CL684-4067-6-53 | 3.52 | 1.6 | 1.0 |
| DF40JC-12DP-0.4V(53) | — | 3.92 | 2.0 | 1.0 |
| DF40JC-20DP-0.4V(53) | CL684-4068-9-53 | 5.52 | 3.6 | 1.0 |
| DF40JC-24DP-0.4V(53) | CL684-4069-1-53 | 6.32 | 4.4 | 1.2 |
| DF40JC-30DP-0.4V(53) | CL684-4070-0-53 | 7.52 | 5.6 | 1.5 |
| DF40JC-34DP-0.4V(53) | CL684-4164-2-53 | 8.32 | 6.4 | 2.3 |
| DF40JC-40DP-0.4V(53) | CL684-4071-3-53 | 9.52 | 7.6 | 3.2 |
| DF40JC-44DP-0.4V(53) | CL684-4153-6-53 | 10.32 | 8.4 | 3.2 |
| DF40JC-50DP-0.4V(53) | CL684-4072-6-53 | 11.52 | 9.6 | 3.2 |
| DF40JC-60DP-0.4V(53) | CL684-4073-9-53 | 13.52 | 11.6 | 3.2 |
| DF40JC-70DP-0.4V(53) | — | 15.52 | 13.6 | 3.2 |
| DF40JC-80DP-0.4V(53) | CL684-4074-1-53 | 17.52 | 15.6 | 3.2 |
| DF40JC-90DP-0.4V(53) | — | 19.52 | 17.6 | 3.2 |
| DF40JC-100DP-0.4V(53) | CL684-4075-4-53 | 21.52 | 19.6 | 3.2 |



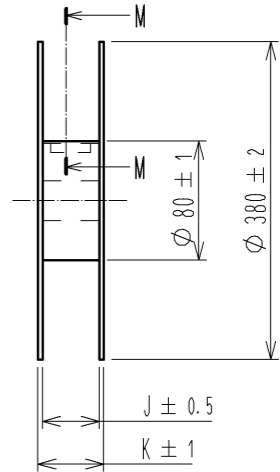
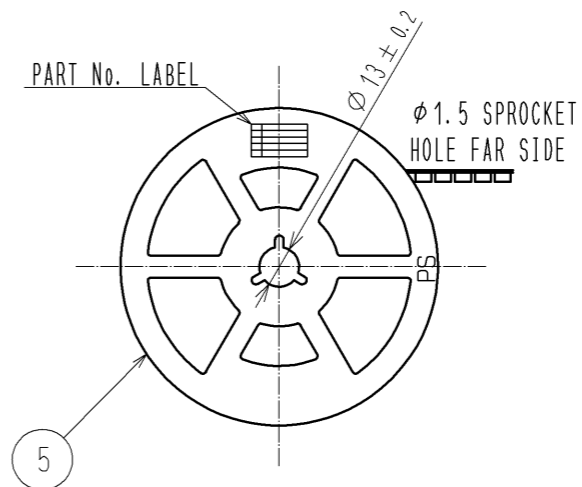
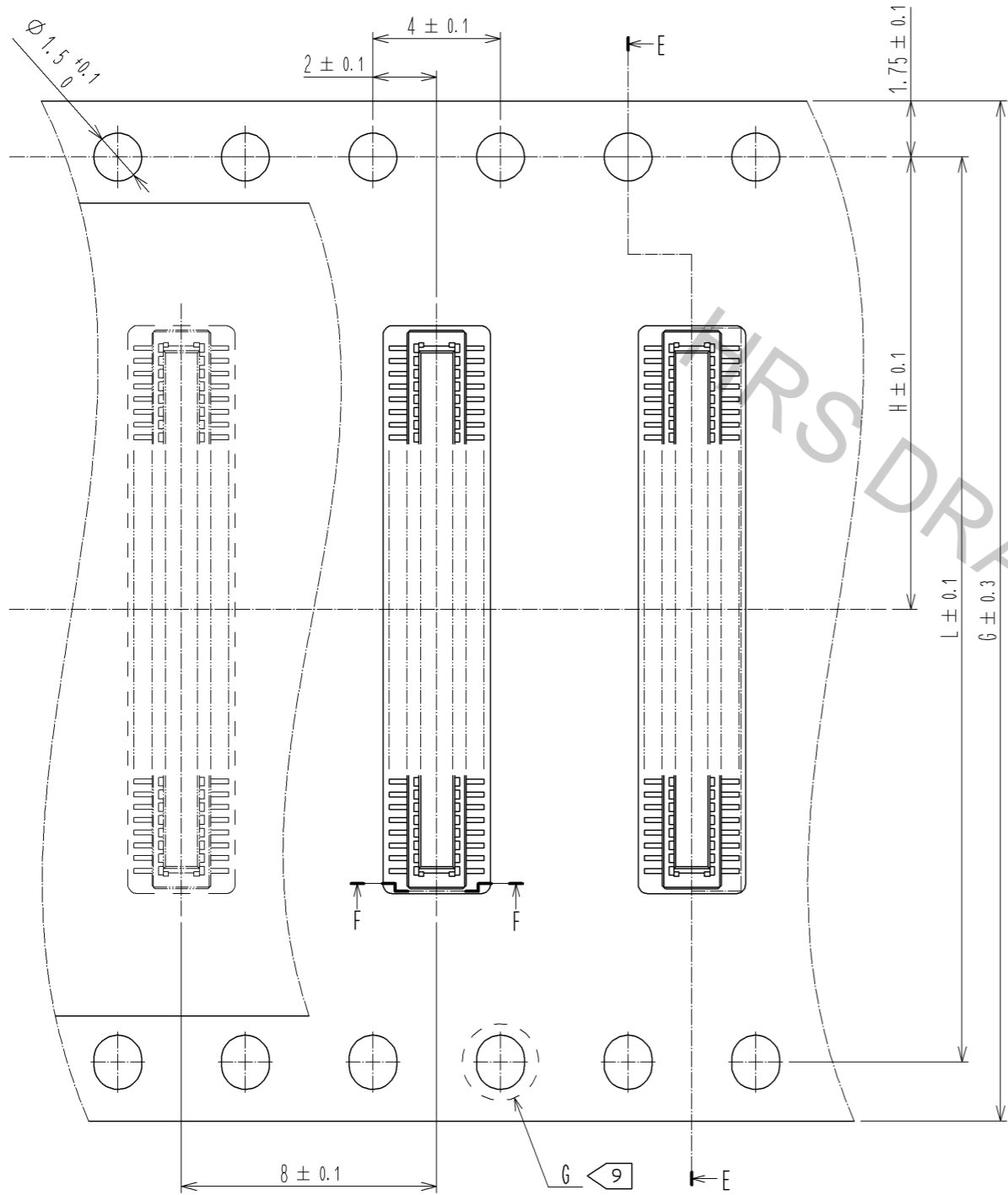
| NO. | MATERIAL | FINISH . REMARKS | NO. | MATERIAL | FINISH . REMARKS |
|-----|-----------------|---|-----|-----------|------------------------------|
| 2 | PHOSPHOR BRONZE | CONTACT AREA: PdNi0.76 μm+AuPO.05 μm MIN SMT LEAD: PdNi0.76 μm+AuPO.05 μm MIN UNDERPLATING: NICKEL 2 μm MIN | 6 | PS | CLEAR. REINFORCEMENT COLLAR |
| | | | 5 | PS | BLACK. PLASTIC REEL |
| | | | 4 | POLYESTER | CLEAR. COVER TAPE |
| 1 | LCP | BLACK, UL94V-0 | 3 | PS | CLEAR. EMBOSSED CARRIER TAPE |

| UNITS | SCALE | COUNT | DESCRIPTION OF REVISIONS | DESIGNED | CHECKED | DATE |
|-------|--------|-------|--------------------------|--------------|-------------|------------|
| mm | 10 : 1 | 6 | DIS-H-007423 | YN. SAKAMOTO | YH. MICHIDA | 12. 11. 29 |

| APPROVED | DATE | DRAWING NO. |
|--------------|------------|---------------------|
| KH. IKEDA | 11. 08. 01 | EDC3-315630-53 |
| CHECED | DATE | PART NO. |
| TS. MIYAZAKI | 11. 08. 01 | DF40JC-*DP-0.4V(53) |
| DESIGNED | DATE | CODE NO. |
| YH. MICHIDA | 11. 08. 01 | CL684 |
| DRAWN | DATE | |
| YH. MICHIDA | 11. 08. 01 | |

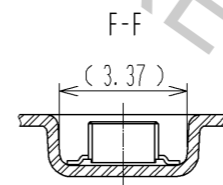
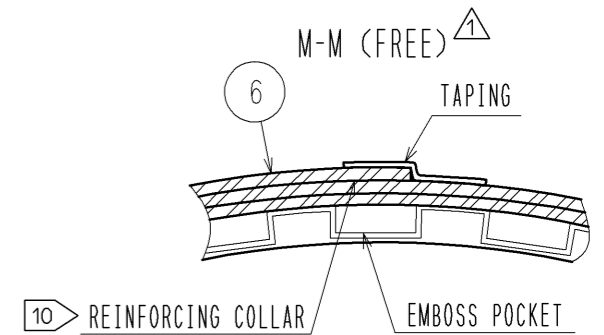
SCALE(FREE)

STYLE AND DIMENSION OF REEL (FREE SIZE)



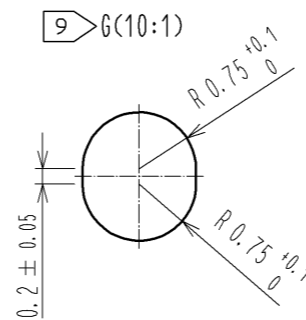
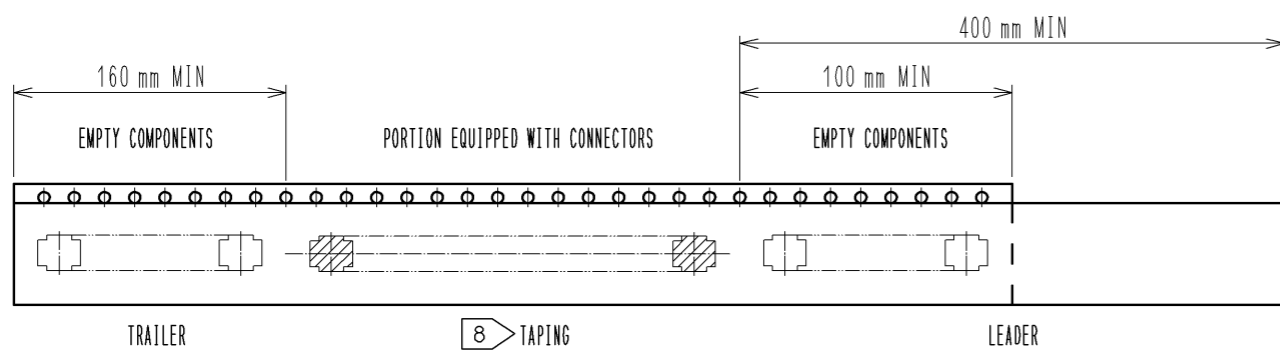
DETAIL OF PART No. LABEL

| | |
|----------------------|-----------------------------|
| SUPPLIER | |
| QUANTITY | |
| PART NO. | |
| CODE NO. | |
| DATE OF MANUFACTURED | |
| 生産月日 | 年 月 日 |
| 図番 | CL684-****-*-53 |
| 品名 | DF40JC- <i>DP</i> -0.4V(53) |
| 納入数量 | 200個 |
| 納入者 | ヒロセ電機(株) |



| PART NO. | G | H | J | K | L |
|-----------------------|----|------|------|------|------|
| DF40JC-10DP-0.4V(53) | 12 | 5.5 | 13.5 | 17.5 | — |
| DF40JC-12DP-0.4V(53) | 12 | 5.5 | 13.5 | 17.5 | — |
| DF40JC-20DP-0.4V(53) | 16 | 7.5 | 17.5 | 21.5 | — |
| DF40JC-24DP-0.4V(53) | 16 | 7.5 | 17.5 | 21.5 | — |
| DF40JC-30DP-0.4V(53) | 16 | 7.5 | 17.5 | 21.5 | — |
| DF40JC-34DP-0.4V(53) | 24 | 11.5 | 25.5 | 29.5 | — |
| DF40JC-40DP-0.4V(53) | 24 | 11.5 | 25.5 | 29.5 | — |
| DF40JC-44DP-0.4V(53) | 24 | 11.5 | 25.5 | 29.5 | — |
| DF40JC-50DP-0.4V(53) | 24 | 11.5 | 25.5 | 29.5 | — |
| DF40JC-60DP-0.4V(53) | 24 | 11.5 | 25.5 | 29.5 | — |
| DF40JC-70DP-0.4V(53) | 32 | 14.2 | 33.5 | 37.5 | 28.4 |
| DF40JC-80DP-0.4V(53) | 32 | 14.2 | 33.5 | 37.5 | 28.4 |
| DF40JC-90DP-0.4V(53) | 44 | 20.2 | 45.5 | 49.5 | 40.4 |
| DF40JC-100DP-0.4V(53) | 44 | 20.2 | 45.5 | 49.5 | 40.4 |

DIRECTION OF UNREELING →



NOTES) 6. PER REEL 200 CONNECTORS.

7. THE DIMENSIONS IN PARENTHESES ARE FOR REFERENCE.

- 8 REFER TO JIS C 0806(IEC 60286-3)
(PACKING OF COMPONENTS FOR AUTOMATIC HANDLING)
- 9 10 TO 60 POSITIONS EMBOSSED CARRIER TAPE HAS THE SPROCKET HOLE ON ONE SIDES.
- 10 AFTER PACKAGING, ROLL 2 METERS OF THE REINFORCEMENT COLLAR TO OUTER CIRCUMFERENCE OF TAPE AND REEL POCKET, AND TAPE DOWN AT THE END THE COLLAR.

| | | |
|------------|-------------|-----------------------------|
| HRS | DRAWING NO. | EDC3-315630-53 |
| | PART NO. | DF40JC- <i>DP</i> -0.4V(53) |
| | CODE NO. | CL684 |
| | | 1/2 |