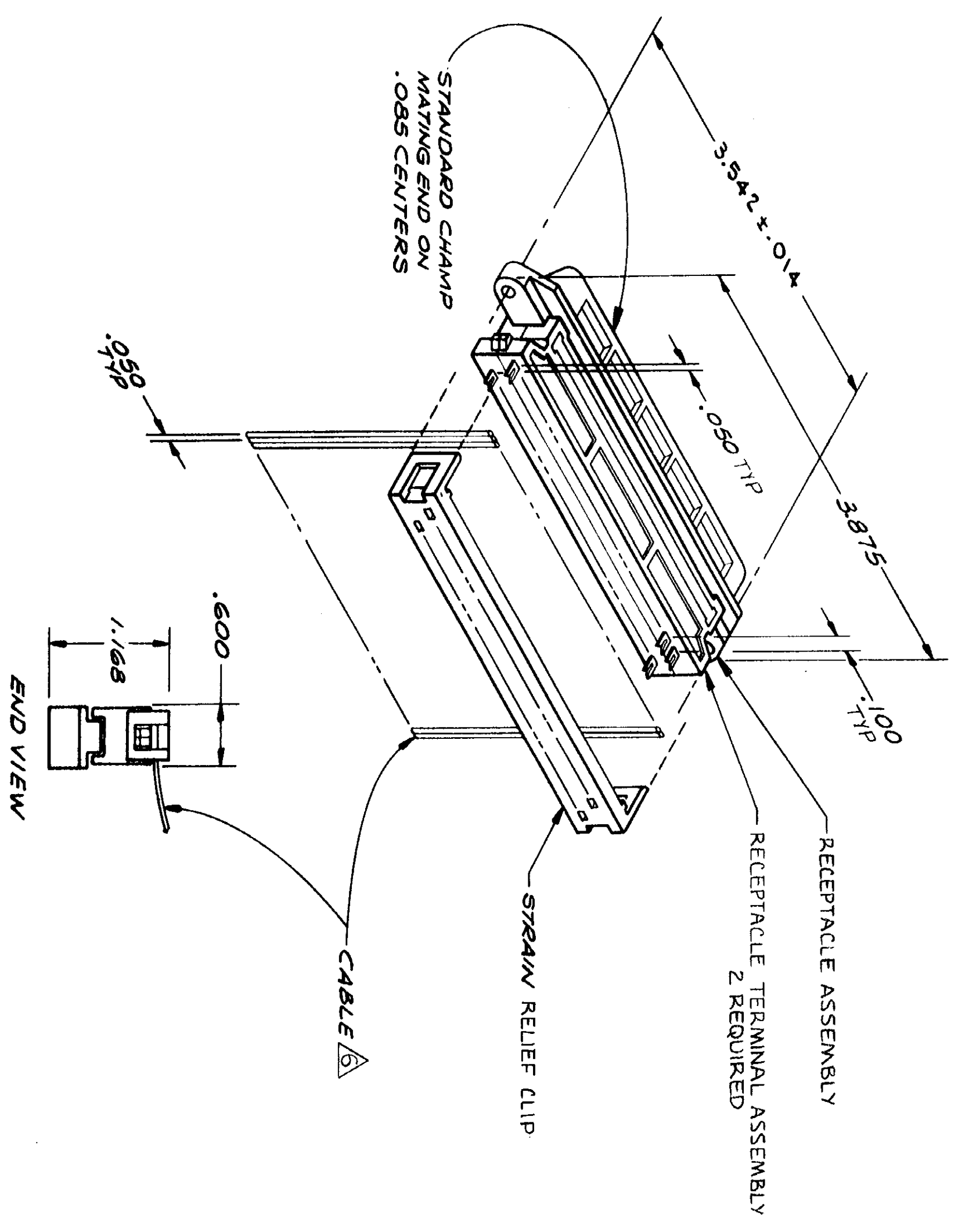


© COPYRIGHT 1979 BY AMP INCORPORATED, HARRISBURG, PA. ALL INTERNATIONAL RIGHTS RESERVED. AMP INCORPORATED PRODUCTS COVERED BY U. S. AND FOREIGN PATENTS AND/OR PATENTS PENDING.



P	F	ZONE	L	TR	REVISIONS	DATE	APPROVED
0					RLSE PER NPI C79-5	1-15-79	MJ
A					CHG DWG TITLE ECN C-1259	4/30/79	MR
B					REV PER AA-509	12/11/80	MR
C					REV PER ECN AA-738	2-3-81	TP

1. THE CONTACT SURFACES OF THE TERMINALS ARE COATED WITH LUBRICANT.
2. MATERIAL: HOUSING & STRAIN RELIEF CLIP-THERMO-PLASTIC (BLK)
TERMINALS-GOLD OVER NICKEL PLATED HIGH STRENGTH COPPER ALLOY ON MATING END & GOLD FLASH OVER NICKEL PLATE ON TERMINATING END.
3. STRAIN RELIEF CLIP SHIPPED UNASSEMBLED.
4. WIRE RANGE: 28 AWG (STRANDED) OR 30 AWG (SOLID) COPPER RIBBON CABLE.
5. ALL DIMENSIONS SHOWN ARE FOR REFERENCE ONLY. RIBBON CABLE SHALL BE FURNISHED BY CUSTOMER.

552838-1 AS SHOWN

UNLESS OTHERWISE SPECIFIED DIMENSIONS ARE IN INCHES. TOLERANCES ON: DECIMALS ± # ANGLES		CONTRACT NO	DR M.D. FULL 1-15-79	NAME	AMP INCORPORATED Harrisburg, Pa.
MATERIAL	FINISH	CHK/	1/12/80 E. Shaw 1/15/79	SIZE	C
		APPD	W. B. Spencer 5/11/79	CODE IDENT NO	00779
		APPD	M. J. Anderson 5/11/79	DRAWING NO	552838
		OTHER APPD		SCALE	1:1
				SHEET	1 OF 1

CHAMP* CHAMP-LOK* Connectors
* Trademarks of AMP Incorporated

CUSTOMER DRAWING

552838