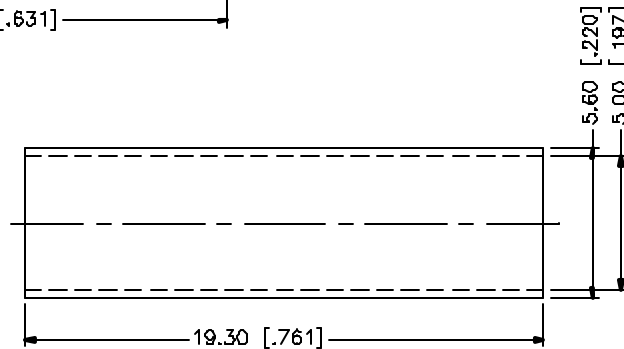
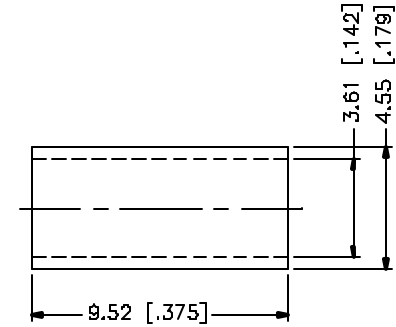
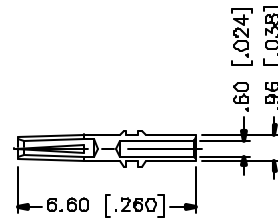
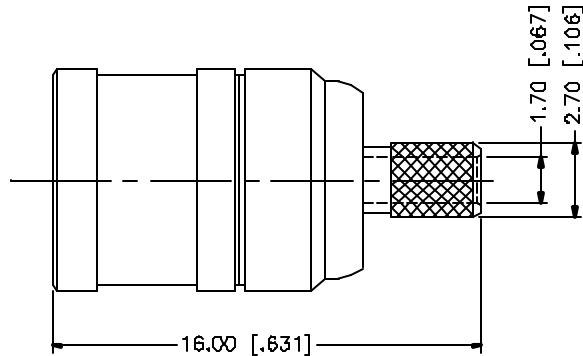
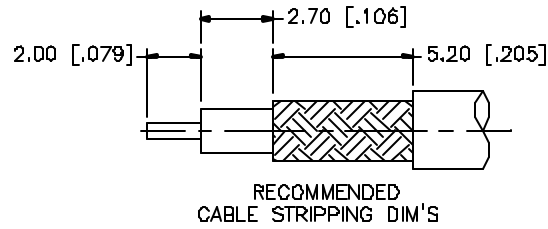


REV.	DATE	DESCRIPTION
D	05/01/04	REFORMAT DRAWING



NOTE:

1. CRIMPED FERRULE
HEX CRIMP SIZE .151"
2. CONTACT PIN TO SOLDER

REV.	DESCRIPTION	MATERIAL	FINISH	QTY	UNLESS OTHERWISE SPECIFIED DIMENSIONS ARE IN MILLIMETERS. DIMENSIONS IN () ARE IN INCHES AND FOR CUSTOMER REFERENCE ONLY.	APPROVALS	DATE	Amphenol Connex			
8								PART DESCRIPTION SMB CRIMP PLUG (FOR RG-316/U DOUBLE BRAID CABLE)			
7											
6	FERRULE	BRASS	NICKEL	1	UNLESS OTHERWISE SPECIFIED TOLERANCES FOR MILLIMETERS ARE: 0.5 - 8mm ± 0.20mm 8 - 30mm ± 0.40mm 30 - 120mm ± 0.50mm	DRAWN G.R.S.	05/01/04	DWG. NO. 142183.DWG			
5					UNLESS OTHERWISE SPECIFIED TOLERANCES FOR INCHES ARE: .020 - .315 = ± 0.007" .315 - 1.180 = ± 0.015" 1.180 - 4.724 = ± 0.020"	CHECKED		REV. D			
4						ISSUED		SIZE A			
3	CONTACT PIN	PHOS. BRONZE	GOLD	1		SHEET 1 OF 1		SCALE NA			
2	INSULATOR	TEFLON	NATURAL	1							
1	HOUSING/BODY	BRASS	NICKEL	1							
	DESCRIPTION	MATERIAL	FINISH	QTY	DO NOT SCALE DRAWING	CAD FILE C:/142/142183.DWG					