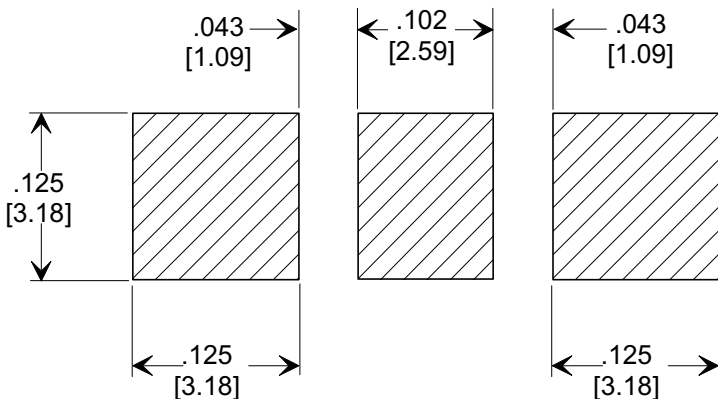
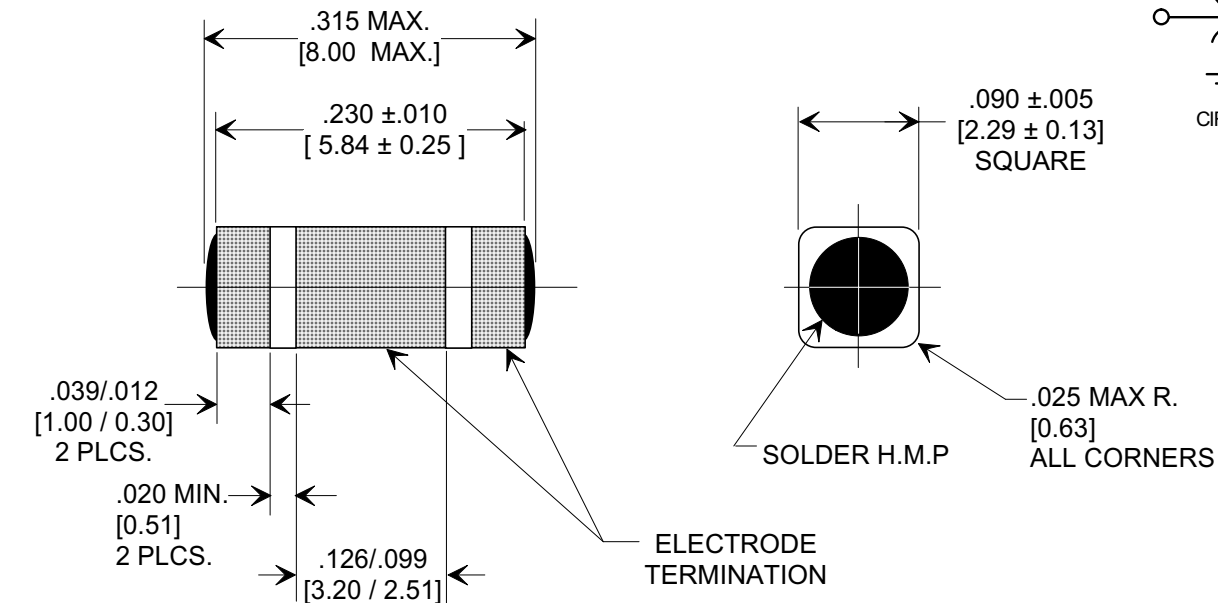
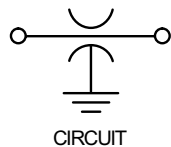
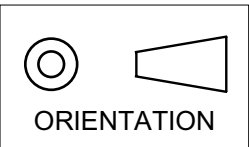


MARKETING SALES DRAWING

DIMENSIONS IN INCHES - DO NOT SCALE THIS DRAWING

DIMENSIONS IN METRIC []

Electrical Testing
per Tusonix standard
test plans and Mil-Std-202
Test Methods.



SUGGESTED MOUNTING PATTERN

NOTES:

1. INDUCTANCE TO BE 0.1 μH MINIMUM.
2. PACKAGE: BULK OR BLISTER TAPE TO IEC-60286-3 TYPE II AND EIA-481-A.

CAP.	TOLERANCE	WVDC		TEST VOLTAGE	I _{DC}	ELECTRODE TERMINATION	TYPICAL NO LOAD INSERTION LOSS dB AT 25°C PER MIL-STD-220		
		85°C	125°C				10 MHZ	100 MHZ	1 GHZ
470 pF	+80% / -20%	100	100	300 VDC	20 A	SOLDER	---	12	27

X-2015 Rev-0

REVISION RECORD	Original Release C.O.	Title SURFACE MOUNT SQUARE STYLE "C" FILTER 20 AMPS	Drawn L.E. 03-01-02	Scale 7 X
	WAS SK8060-STYLE. S.M. 04-22-02			
	20020418-4-07 RELOCATED MOUNTING PATTERN L.E. 07-09-02			
	20020709-2-02 ADDED INSERTION LOSS COLUMN. S.M. 04-07-03			
20030407-1-02 REVISED DRAWING. S.M. 06-23-03	2	Approved B.M. 03-01-02	A	4702-001
20030619-2-13	3			
--TOLERANCES-- Unless Otherwise Specified				
DECIMAL ± .005 [0.13]				
ANGLES ±				
TUSONIX TUCSON, ARIZONA				