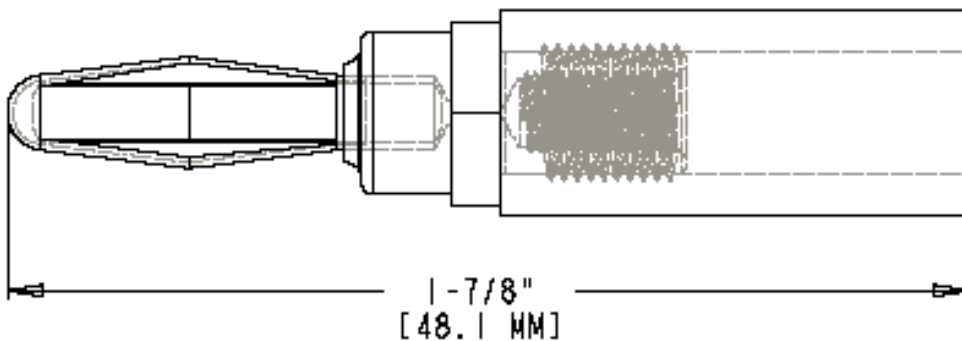
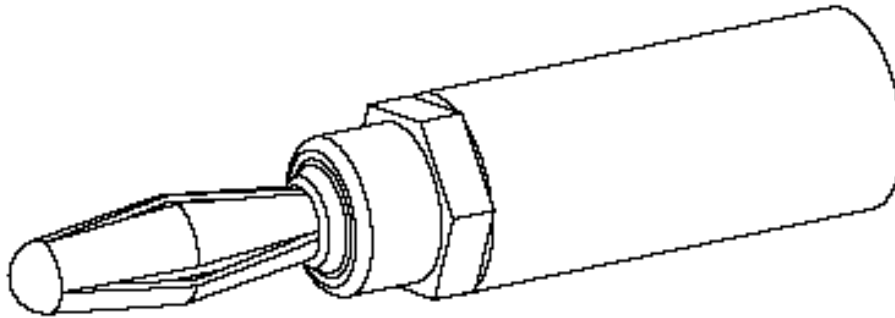




Part Number: BU-00244- *
Description: Solderless Banana Plug-Hex Design

3507



- Solderless Banana Plug-Hex Design
- Material: Banana Plug: nickel-plated brass body; Spring: nickel-plated phosphor bronze; Insulator: ABS
- Length: 1.89" (48.1 mm)
- *Std. Colors: -0 Black, -2 Red
- Rating: 15 Amps
- RoHS Compliant

BU-00243-x AND BU-00244-x ASSEMBLY INSTRUCTIONS



For an 18 awg wire you will need to strip the item back $5/8$ ". Push the wire into the assembly hold the small nut against the insulation and screw it into the banana. Finally pull the insulating cover over the banana and screw in. If your using a smaller gauge wire, you will need to increase your strip length.