

52mm sq.

San Ace 52



General Specifications

- Material Frame: Plastics (Flammability: UL94V-0),
Impeller: Plastics (Flammability: UL94V-0)
- Expected Life Refer to specifications (L10: Survival rate: 90% at 60°C ,
rated voltage, and continuously run in a free air state)
- Lead Wire ⊕red ⊖black (Sensor) yellow (Control) brown
- Storage Temperature -30°C to +70°C (Non-condensing)

52×52×15mm (Mass : 40g) **9GA**type **Low Power Consumption Fan**



Specifications

The following nos. have PWM controls, pulse sensors, and ribs.

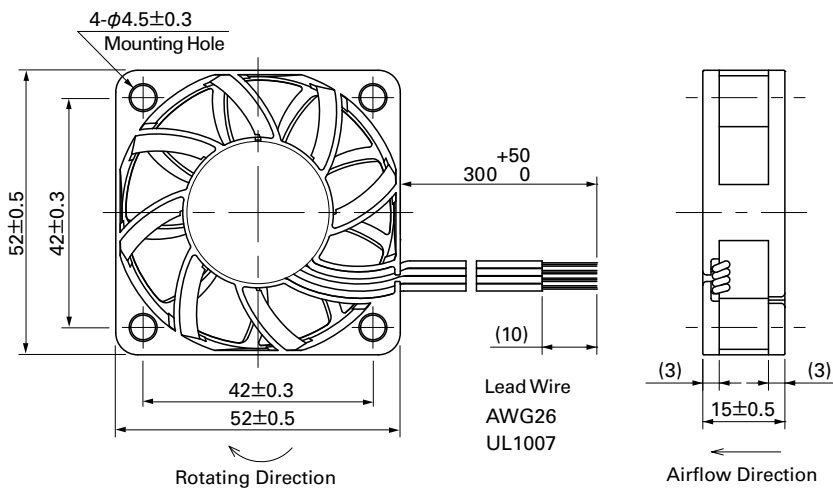
Model No.	Rated Voltage [V]	Operating Voltage Range [V]	PWM duty cycle ^{Note①} [%]	Rated Current [A]	Rated Input [W]	Rated Speed [min ⁻¹]	Max. Airflow [m ³ /min] [CFM]	Max. Static Pressure [Pa] [inchH ₂ O]	SPL [dB(A)]	Operating Temperature [°C]	Expected Life [h]
9GA0512P7G001	12	10.2 to 13.8	100	0.13	1.56	7,800	0.50 17.7	91.5 0.367	38	-20 to +70	40,000/60°C
9GA0512P7A001				0.08	0.96	6,300	0.40 14.1	59 0.237	32		
9GA0512P7H001				0.05	0.60	4,300	0.275 9.7	27.5 0.110	22		
9GA0512P7M001				0.04	0.48	3,400	0.215 7.6	17 0.068	16		
9GA0524P7G001	24	20.4 to 27.6	100	0.07	1.68	7,800	0.50 17.7	91.5 0.367	38		
9GA0524P7A001				0.05	1.20	6,300	0.40 14.1	59.0 0.237	32		
9GA0524P7H001				0.03	0.72	4,300	0.275 9.7	27.5 0.110	22		
9GA0524P7M001				0.02	0.48	3,400	0.215 7.6	17.0 0.068	16		

Note : Fan does not rotate when PWM duty cycle is 0%.

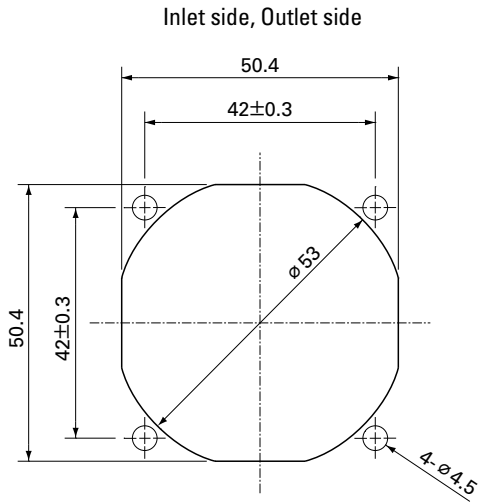
※PWM Frequency : 25kHz

Other sensor specifications are available as options. Please refer to the index (p. 504).

Dimensions (unit: mm)



Reference Dimensions of Mounting Holes and Vent Opening (unit: mm)

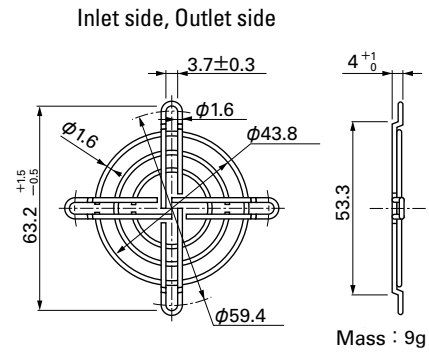
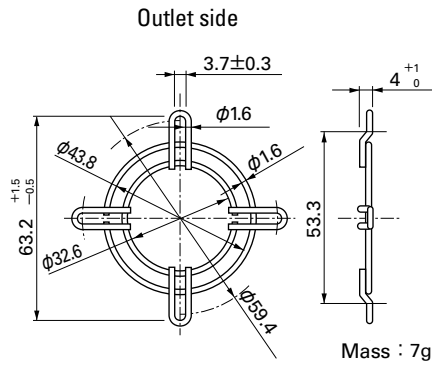


Options (unit: mm)

Finger Guards

Model : 109-149 Color : Nickel-chrome plating (silver)

Model : 109-149E Color : Nickel-chrome plating (silver)



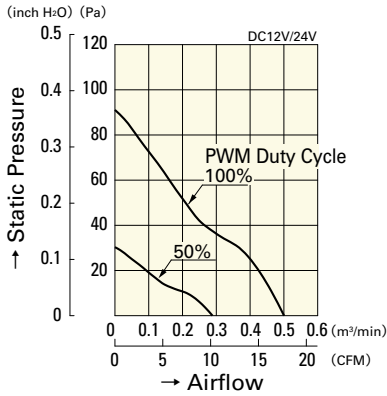
52mm sq.

San Ace 52

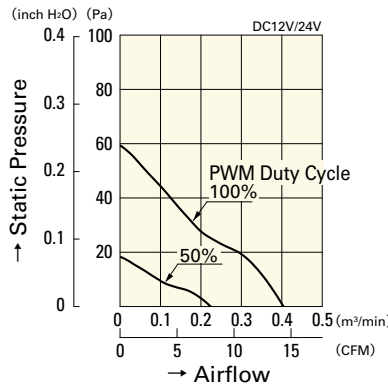
52×52×15mm [Mass : 40g]

Airflow - Static Pressure Characteristics

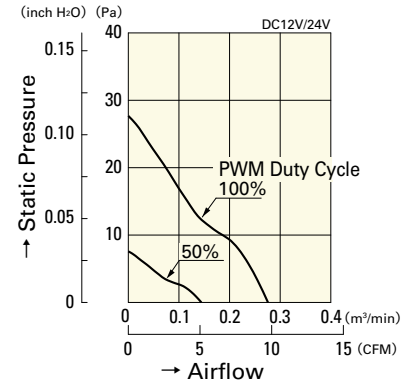
PWM Duty Cycle



9GA0512P7G001
9GA0524P7G001

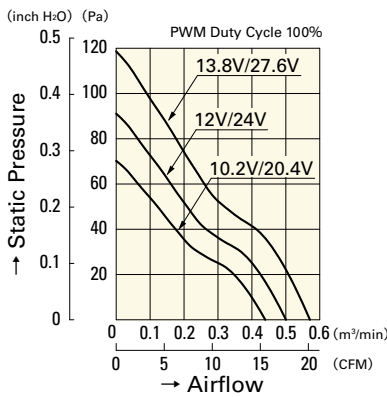


9GA0512P7A001
9GA0524P7A001

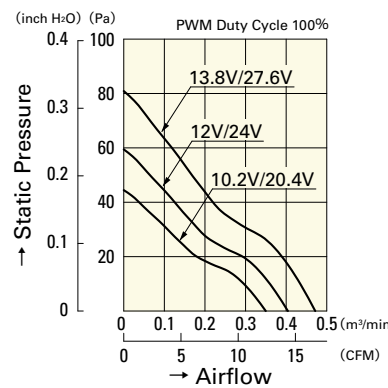


9GA0512P7H001
9GA0524P7H001

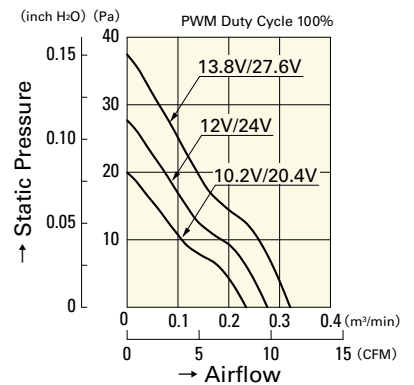
Operating Voltage Range



9GA0512P7G001
9GA0524P7G001

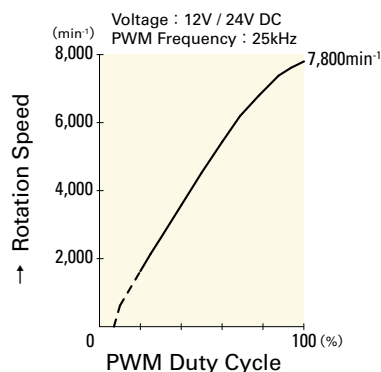


9GA0512P7A001
9GA0524P7A001

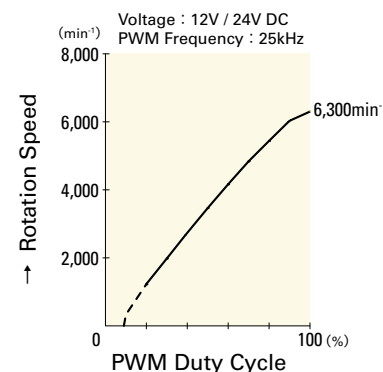


9GA0512P7H001
9GA0524P7H001

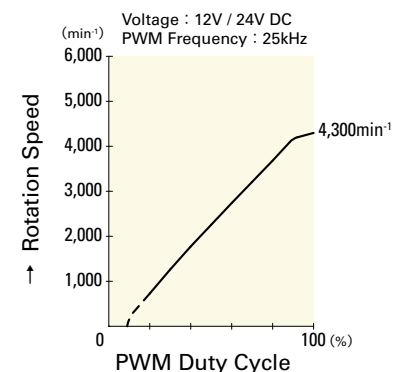
PWM Duty - Speed Characteristics Example



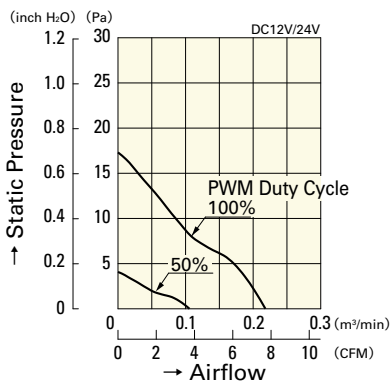
9GA0512P7G001
9GA0524P7G001



9GA0512P7A001
9GA0524P7A001

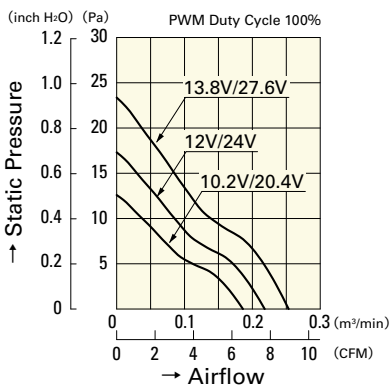


9GA0512P7H001
9GA0524P7H001



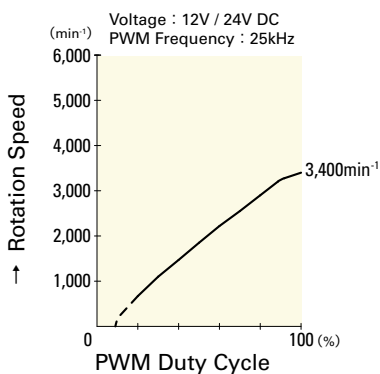
9GA0512P7M001

9GA0524P7M001



9GA0512P7M001

9GA0524P7M001



9GA0512P7M001

9GA0524P7M001