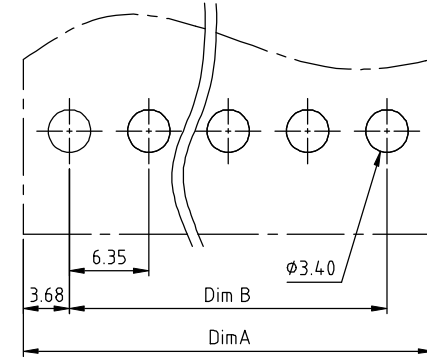
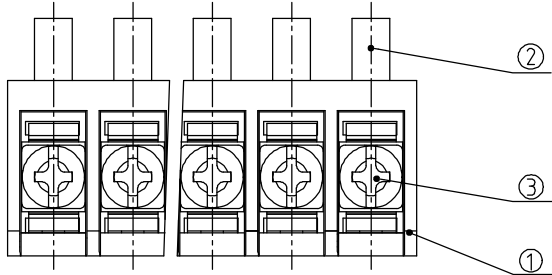
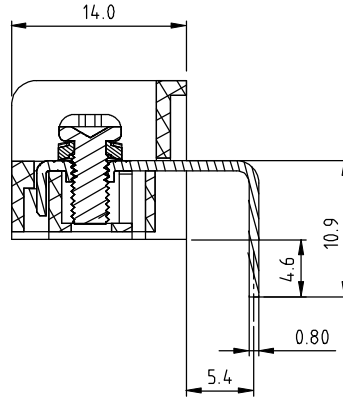
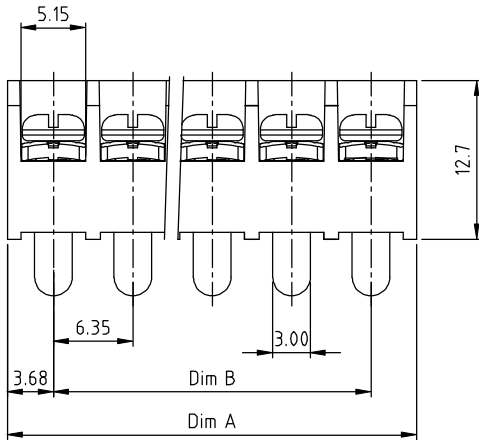


PRODUCT NUMBER	PITCH
YK224xx0x0J0G	6.35 mm



RECOMMENDED P.C.B LAYOUT
TOP VIEW



MATERIALS & ELECTRICAL
 RATED VOLTAGE & CURRENT: cULus 250 V, 10 A / CQC 250 V, 9 A
 WITHSTAND VOLTAGE: AC 2000 V/Min
 INSULATION RESISTANCE: 1000 M Ω OR MORE AT DC 500 V
 OPERATING TEMPERATURE RANG: -40 °C ~ +115 °C
 SCREW TORQUE VALUE: 5.3 Lb-In.
 WIRE RANGE: 22 - 18 AWG
 1) HOUSING: Thermoplastic, UL 94 V-0 BLACK
 2) TERMINAL: BRASS, 0.8t
 3) TERMINAL SCREWS: STEEL, M3

APPROVAL:

A

A

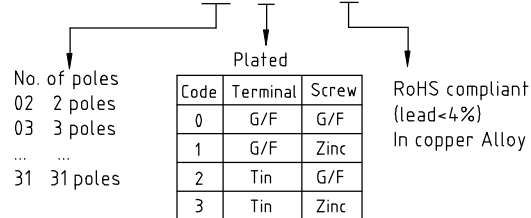
DIMENSION

Dim A	Nx6.35+1.0
Dim B	(N-1)x6.35

N=Number of poles

Poles	Tolerance
2p-5p	±0.20
6p-10p	±0.25
11p-16p	±0.35
17p-24p	±0.40
25p-31p	±0.50

PART NO.: YK 224xx 0 x 0 JOG



B

B

mat'l. code		surface ASME Y14.5	tolerance ASME Y14.5	projection 	product family TERMINAL BLOCK
ltr	ecn no	dr	date	title TERMINAL BLOCK	
tolerances unless otherwise specified				MM	BARRIER TYPE
angles	X.±0.5		scale		
flat	X.X±0.3		FCI		
X'±1"	X.XX±0.1		dwg no YK224xx0x0J0G sheet 1 of 1 size A4		
dr	EVAN	LU	061614	type CUSTOMER Drawing	
enr	EVAN	LU	061614		
chr	HANKE	FENG	061614		
appd	SHI	JUN	061614		
sheet index	revision sheet	A	1		