

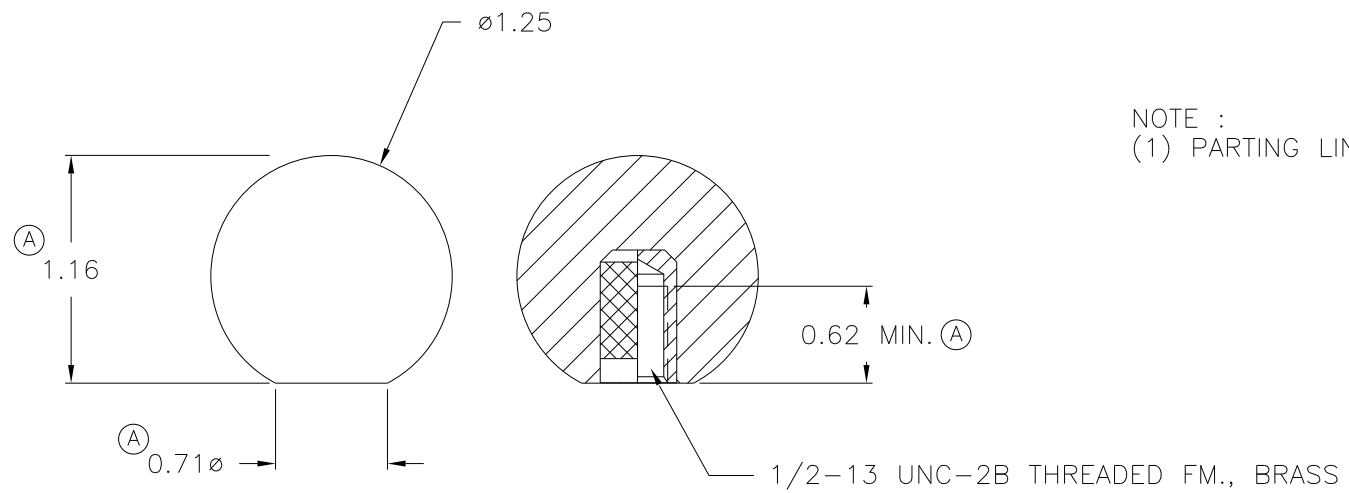
PART NAME: BALL KNOB SCALE: 1:1 DATE: 5/25/93 DR. BY HD

THIS DRAWING IS THE PROPERTY OF DAVIES MOLDING COMPANY, IS SUBMITTED SOLELY AS A DESIGN OR ENGINEERING PROJECT. WE ACCEPT NO RESPONSIBILITY WHATSOEVER FOR THE PRACTICAL APPLICATION OF THE PIECES MADE TO THIS DESIGN.



DESIGNERS & MANUFACTURERS OF KNOBS, HANDLES, CASES & CUSTOM PLASTIC COMPONENTS

P/N 0140-C	
M NO.	
CAVITY	0140
PLUNGER	0140
INSERT	TO SUIT



NOTE :
(1) PARTING LINE TO BE BUFFED AND POLISHED.

MATERIAL: G.P. PHENOLIC (B11)
COLOR: BLACK

TOLERANCES: UNLESS OTHERWISE SPECIFIED	DO NOT SCALE DRAWING			
DECIMALS: X.XXX ± .005 X.XX ± .015	MM: X.XX ± 0.15MM X.X ± 0.4MM	A	1.16 WAS 1.18 0.71 WAS 0.57 ADDED "MIN."	JAM 6/19/08
FRACTIONS ± 1/64	ANG. ± 1°	CHANGES		