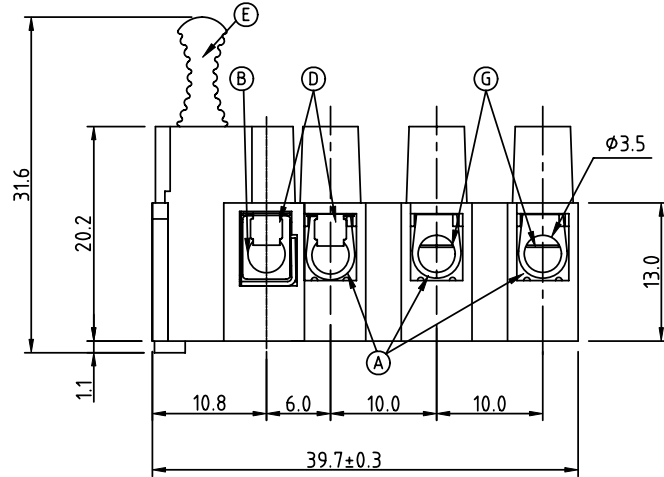
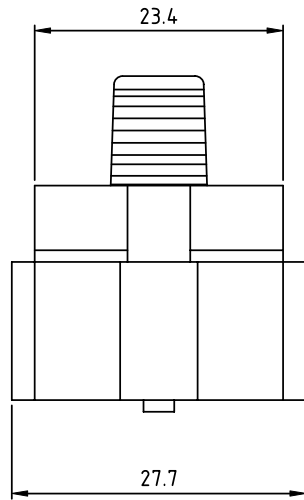
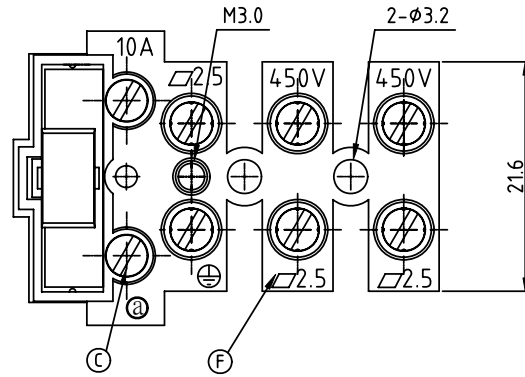


PRODUCT NUMBER	PITCH
TM041xx00JOG	N/A



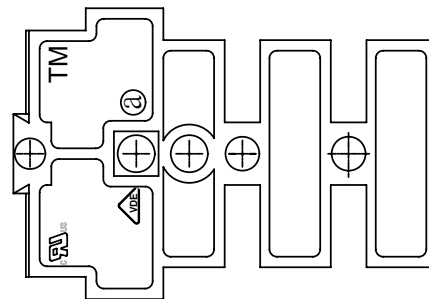
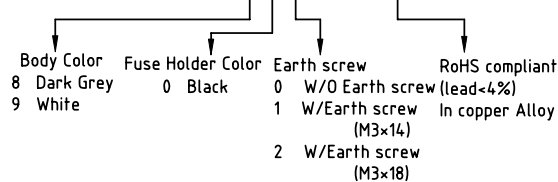
Material

- (A) Terminal body(metal housing of double): Brass(CuZn),Ni plated
- (B) Terminal body(metal housing of single): Brass(CuZn),Ni plated
- (C) Terminal screw: Steel Zinc plating "-" slot type
- (D) Wire guard(short): Steeless steel
- (E) Fuse Holder: Thermoplastic (UL94V-0)
- (F) Insulator (housing): Thermoplastic (UL94V-0)
- (G) Wire guard(Long): Steeless steel

Electrical cULus VDE

- Voltage rating: 400VAC / 450VAC
- Current rating: 10A / 24A²
- Wire range: 0.34~2.5mm²
- Solid wire(AWG): 14-22
- Stranded wire(AWG): 14-22
- Torque(Lb-In): 3.5 / 0.5 Nm
- Screw: M3
- Wire strip length: 7-8mm
- Withstanding Voltage: 1.8KV / 2.5KV
- Operating temperature: -40°C to +115°C
- Safety Approval: cULus VDE

PART NO.: TM 04 1x x x 00JO G



mat'l. code		surface ASME Y14.5	tolerance ASME Y14.5	projection	product family TERMINAL BLOCK
ltr	ecn no	dr	date	tolerances unless otherwise specified	title
				angles X±0.5 X.X±0.3 X.XX±0.1	TERMINAL BLOCK
				scale	WIRE PROTECTOR,SOLID BLOCK,180D WIRE INLET
		dr	EVIN ZHONG	040214	sheet 1 of 1 size
		engr	EVIN ZHONG	040214	TM041xx00JOG
		chr	HANKE FENG	040214	A4
		appd	SHI JUN	040214	type CUSTOMER Drawing
sheet index	revision	A			
	sheet	1			