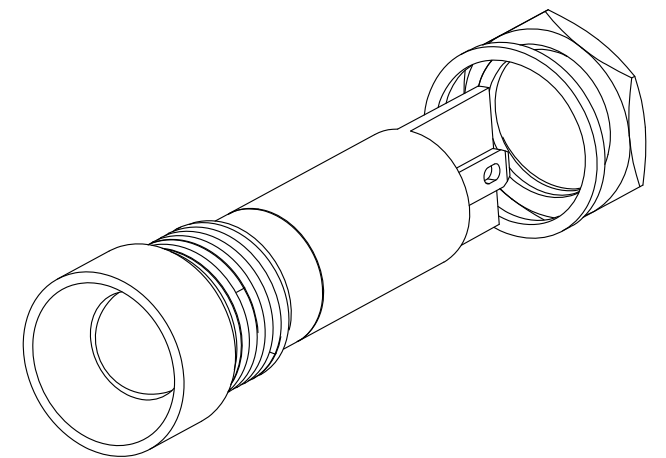
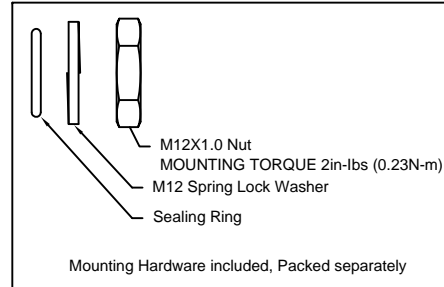
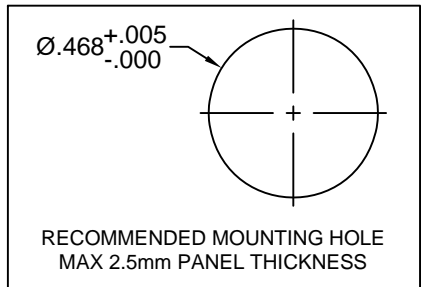
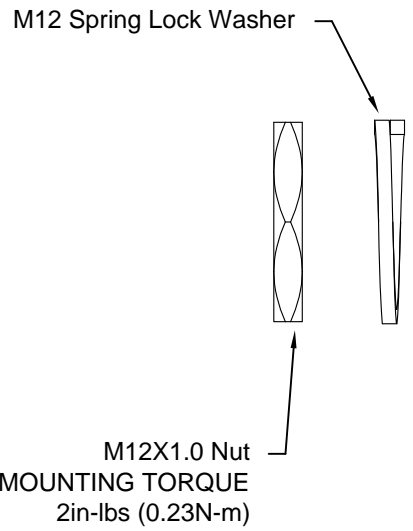
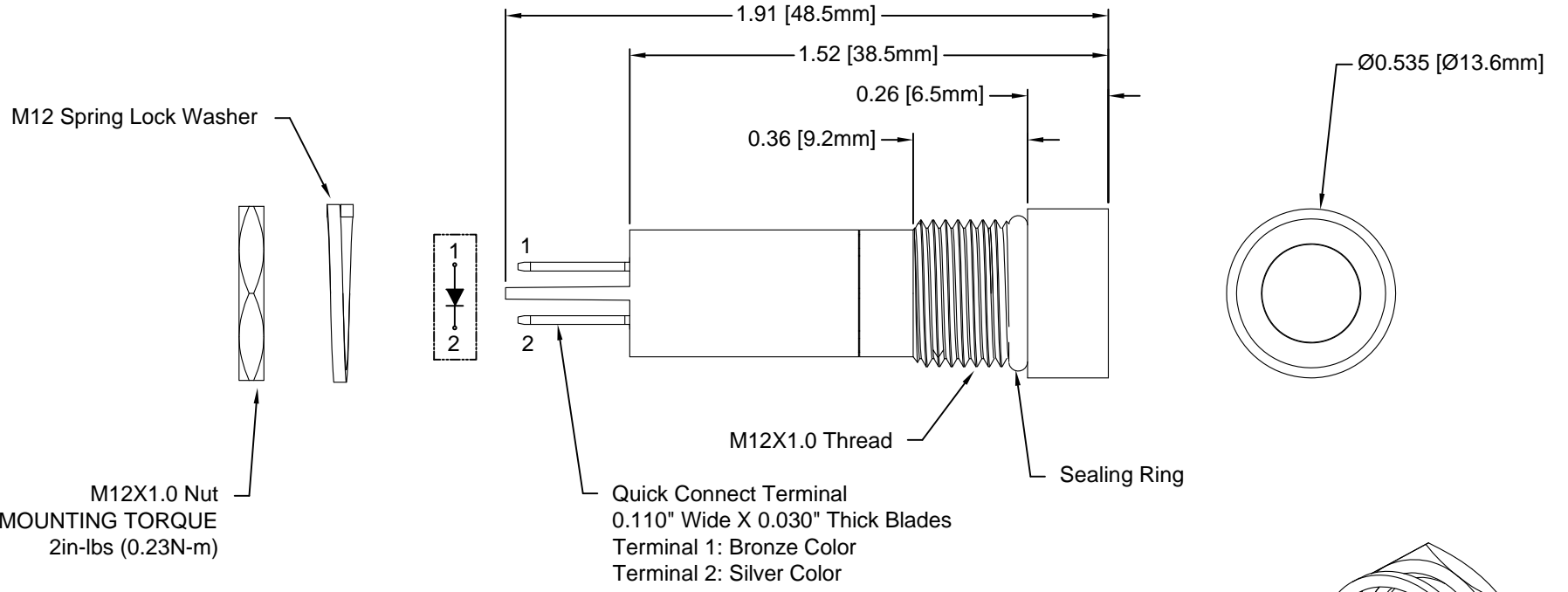


REV.	DESCRIPTION	DATE	APPROVED
A	Engineering Release	08/14/14	J. C.
B	Engineering Update w/o Changes	08/11/16	J. C.



- NOTES:
1. SEALED TO IP54 RATING
  2. VOLTAGE INPUT OPTIONS: 12V/24V/110V/220V
  3. ROHS COMPLIANT
  4. MOUNTING HARDWARE PACKED SEPARATELY NON-ASSEMBLED
  5. INSERT SEALING RING ON PANEL MOUNT ASSEMBLY PRIOR TO PANEL INSTALLATION


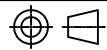
STANDARD TOLERANCE (UNLESS OTHERWISE SPECIFIED)		BIVAR®	
DECIMALS	ANGULAR	4 THOMAS, IRVINE, CA. 92618	
.X ± .1	X° ± 1°	TEL: (949) 951-8808 FAX: (949) 951-3974	
.XX ± .02		TITLE: MPR12-3 SERIES, IP54 RATED PANEL MOUNT INDICATOR	
.XXX ± .010		PART NO: MPR12-3XDXXV REVISION: B	
DESIGNED: M. Doan	DATE: 08/14/14	CAGE CODE : 32559	SHEET # 1 OF 2
CHECKED: B. Oliver	DATE: 08/14/14	CAD GENERATED DOCUMENT. DO NOT MEASURE DRAWING.	

REV.	DESCRIPTION	DATE	APPROVED
	SEE SHEET #1		

Part Number	Dominant Wave Length $\lambda_d$ (nm)	Emitted Color	Lens Appearance	Voltage	Luminous Intensity (mcd)	Viewing Angle (degree)
MPR12-3RD12V	625	Red	Diffused	12V	415	45
MPR12-3GD12V	525	Green	Diffused	12V	1880	45
MPR12-3YD12V	590	Yellow	Diffused	12V	415	45
MPR12-3BWD12V	470	Blue	Diffused	12V	835	45
MPR12-3WD12V	x=0.36, y=0.32	White	Diffused	12V	7315	45
MPR12-3RD24V	625	Red	Diffused	24V	415	45
MPR12-3GD24V	525	Green	Diffused	24V	1880	45
MPR12-3YD24V	590	Yellow	Diffused	24V	415	45
MPR12-3BWD24V	470	Blue	Diffused	24V	835	45
MPR12-3WD24V	x=0.36, y=0.32	White	Diffused	24V	7315	45
MPR12-3RD110V	625	Red	Diffused	110V	20	45
MPR12-3GD110V	525	Green	Diffused	110V	205	45
MPR12-3YD110V	590	Yellow	Diffused	110V	20	45
MPR12-3BWD110V	470	Blue	Diffused	110V	70	45
MPR12-3WD110V	x=0.36, y=0.32	White	Diffused	110V	250	45
MPR12-3RD220V	625	Red	Diffused	220V	10	45
MPR12-3GD220V	525	Green	Diffused	220V	100	45
MPR12-3YD220V	590	Yellow	Diffused	220V	10	45
MPR12-3BWD220V	470	Blue	Diffused	220V	35	45
MPR12-3WD220V	x=0.36, y=0.32	White	Diffused	220V	125	45

**ABSOLUTE MAXIMUM RATINGS (Ta = 25°C)**

POWER INPUT \_\_\_\_\_ 0.5W MAX  
 OPERATING TEMPERATURE RANGE \_\_\_\_\_ -40°C ~ 80°C  
 STORAGE TEMPERATURE \_\_\_\_\_ -40°C ~ 80°C  
 TERMINAL SOLDERING TEMPERATURE \_\_\_\_\_ 260°C, 5s

STANDARD TOLERANCE ( UNLESS OTHERWISE SPECIFIED ) DECIMALS                      ANGULAR		 4 THOMAS, IRVINE, CA. 92618 TEL: (949) 951-8808    FAX: (949) 951-3974	
			
DESIGNED: <b>M. Doan</b>	DATE: <b>08/14/14</b>	<b>TITLE:</b> MPR12-3 SERIES, IP54 RATED PANEL MOUNT INDICATOR	
CHECKED: <b>B. Oliver</b>	DATE: <b>08/14/14</b>	<b>PART NO:</b> <b>MPR12-3XDXXV</b>	<b>REVISION:</b> <b>B</b>
		<b>CAGE CODE :</b> 32559	<b>SHEET #</b> 2 OF 2
CAD GENERATED DOCUMENT. DO NOT MEASURE DRAWING.			