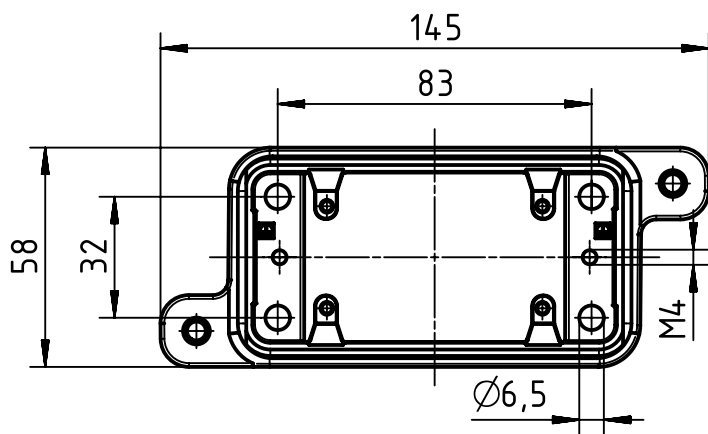
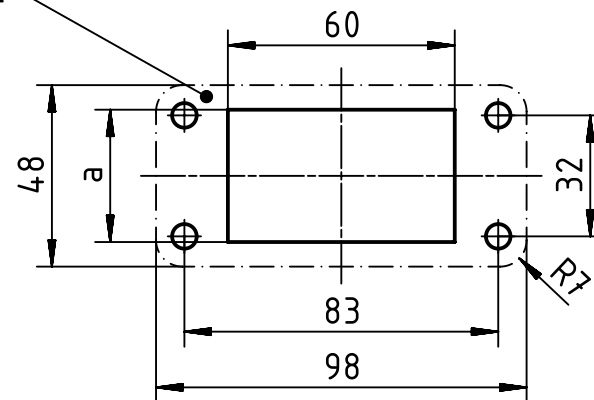
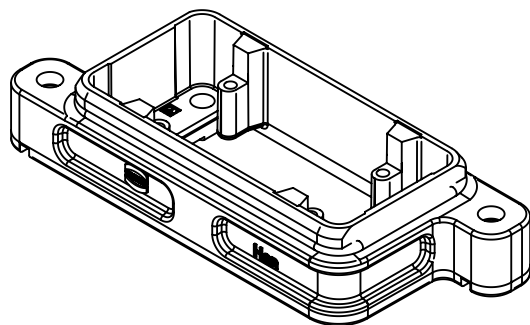


for EMC features,  
conductive surface



application	a
standard insert	35
HC-Modular 650	44,5



	All Dimensions in mm Original Size DIN A4		Scale 1:2	Free size tol.		Ref.	
	All rights reserved Department EL PD - DE		Created by PENNER	Inspected by BERGHORN	Standardisation TIEMANNA	Date 2014-04-22	State Final Release
HARTING Electric GmbH & Co. KG D-32339 Espelkamp		Title Han 10HPR-HBM-Screw locking				Doc-Key / ECM-Nr. 100209590/UGD/004/B 500000073860	
		Type TB	Number 09 40 010 0311			Rev. B	Page 1/1