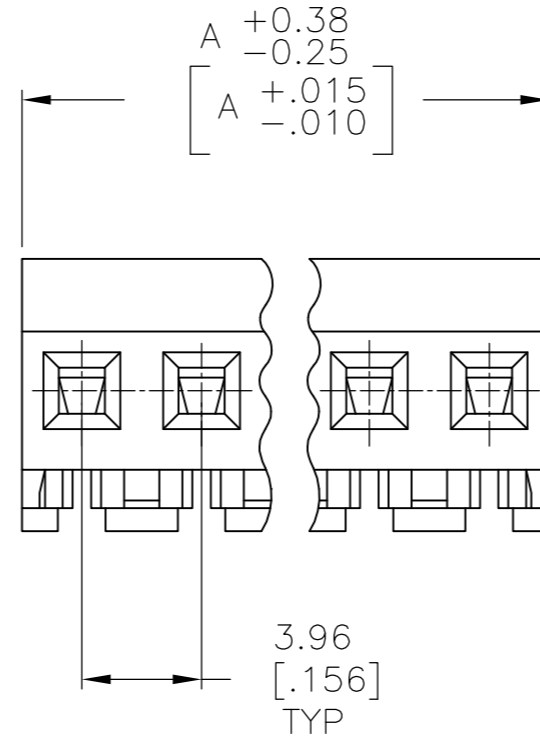
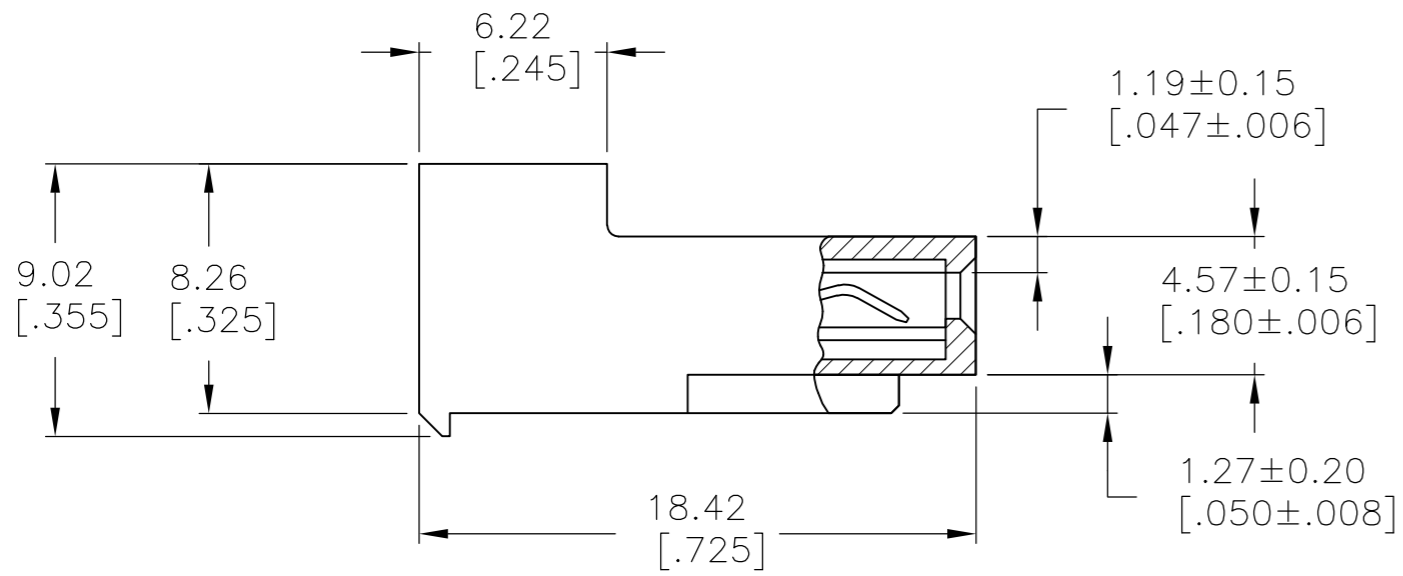
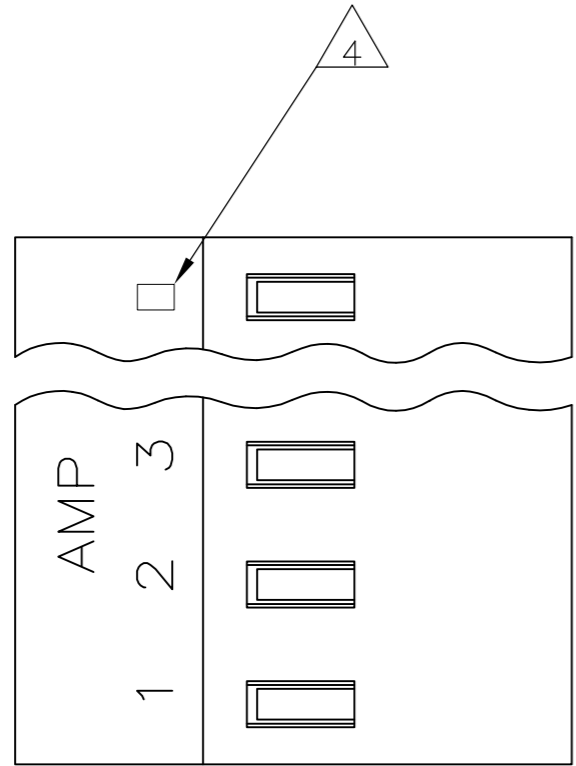


THIS DRAWING IS UNPUBLISHED. RELEASED FOR PUBLICATION  
 © COPYRIGHT - By - ALL RIGHTS RESERVED.

LOC	DIST	REVISIONS					
CM	00	P	LTR	DESCRIPTION	DATE	DWN	APVD
		V		REVISED PER ECO-12-007610	25JUL12	KH	SM



1 MATERIAL: CONNECTOR - NYLON UL94V-2  
 CONTACTS - 0.30[.012] THICK COPPER ALLOY  
 0.00076[.000030] GOLD THK OR 0.00008[.000003] MIN THK  
 GOLD FLASH OVER 0.00068[.000027] THK PALLADIUM NICKEL,  
 PER TE CONNECTIVITY'S DISCRETION, IN CONTACT  
 AREA WITH BRIGHT TIN-LEAD FOR 641224-2  
 THRU 2-641224-4, MATTE WHISKER MITIGATED  
 TIN FOR 3-641224-2 THRU 5-641224-4  
 OVER NICKEL UNDERPLATE.

2 CONTACTS ACCEPT 22 AWG WIRE WITH 2.41[.095] MAX  
 INSULATION DIAMETER.

3 CONTACTS MUST ACCEPT 1.14±0.03 [.045±.001] SQUARE  
 POST AND REMAIN LOCKED IN POSITION.

4 IDENTIFICATION NUMBER FOR LAST CIRCUIT MAY  
 NOT APPEAR ON ALL ASSEMBLIES.

5 DIMENSIONS IN BRACKETS ARE IN INCHES.

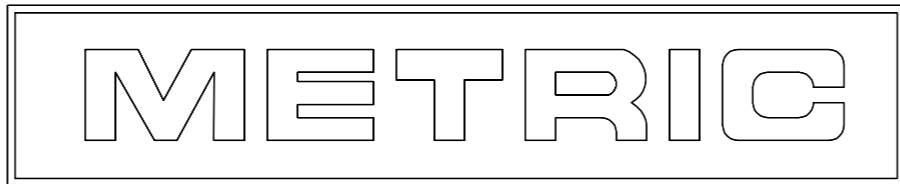
6 HOUSING FEATURES ARE: CLOSED END WITHOUT  
 LOCKING RAMP.

7 OBSOLETE PARTS: OBSOLETE CIS STREAMLINING PER D.RENAUD/D.SINISI

8 RED COLOR STRIPE ON HOUSING (NOT SHOWN) MAY RUN DOWN BETWEEN RIBS.

DIM A	NO OF CIRCUITS	PART NO
95.10 [3.744]	24	5-641224-4
91.14 [3.588]	23	5-641224-3
87.17 [3.432]	22	5-641224-2
83.21 [3.276]	21	5-641224-1
79.25 [3.120]	20	5-641224-0
75.29 [2.964]	19	4-641224-9
71.32 [2.808]	18	4-641224-8
67.36 [2.652]	17	4-641224-7
63.40 [2.496]	16	4-641224-6
59.44 [2.340]	15	4-641224-5
55.47 [2.184]	14	4-641224-4
51.51 [2.028]	13	4-641224-3
47.55 [1.872]	12	4-641224-2
43.59 [1.716]	11	4-641224-1
39.62 [1.560]	10	4-641224-0
35.66 [1.404]	9	3-641224-9
31.70 [1.248]	8	3-641224-8
27.74 [1.092]	7	3-641224-7
23.77 [.936]	6	3-641224-6
19.81 [.780]	5	3-641224-5
15.85 [.624]	4	3-641224-4
11.89 [.468]	3	3-641224-3
7.92 [.312]	2	3-641224-2
7.92 [.312]	2	2-641224-4
7.92 [.312]	2	2-641224-3
7.92 [.312]	2	2-641224-2
7.92 [.312]	2	2-641224-1
7.92 [.312]	2	2-641224-0
7.92 [.312]	2	1-641224-9
7.92 [.312]	2	1-641224-8
7.92 [.312]	2	1-641224-7
7.92 [.312]	2	1-641224-6
7.92 [.312]	2	1-641224-5
7.92 [.312]	2	1-641224-4
7.92 [.312]	2	1-641224-3
7.92 [.312]	2	1-641224-2
7.92 [.312]	2	1-641224-1
7.92 [.312]	2	1-641224-0
7.92 [.312]	2	641224-9
7.92 [.312]	2	641224-8
7.92 [.312]	2	641224-7
7.92 [.312]	2	641224-6
7.92 [.312]	2	641224-5
7.92 [.312]	2	641224-4
7.92 [.312]	2	641224-3
7.92 [.312]	2	641224-2

7 SUPERSEDED  
 7 SUPERSEDED  
 7 SUPERSEDED  
 7 SUPERSEDED  
 7 SUPERSEDED



THIS DRAWING IS A CONTROLLED DOCUMENT.

DIMENSIONS: mm [INCHES]

TOLERANCES UNLESS OTHERWISE SPECIFIED:

0 PLC	± -
1 PLC	± -
2 PLC	± -
3 PLC	± -
4 PLC	± -
ANGLES	± -

MATERIAL 1 FINISH 1

APVD: B. LEWIS (12 FEB 91), R. SWING (12 FEB 91), D. CLARK (20 FEB 91)

PRODUCT SPEC: 108-1051

APPLICATION SPEC: 114-1020

WEIGHT: -

CUSTOMER DRAWING

TE Connectivity

MTA-156 CONNECTOR ASSEMBLY, 22 AWG, STANDARD

SIZE: A2, CAGE CODE: 00779, DRAWING NO: 641224

RESTRICTED TO: -

SCALE: 4:1, SHEET: 1 OF 1, REV: V