

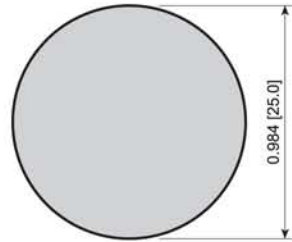
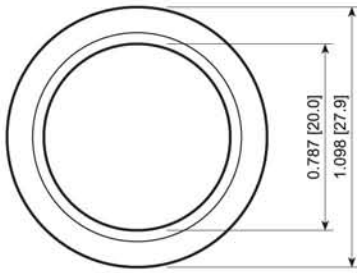
# PV8 Series



RoHS

NEW

## Suggested Panel Cutout



Maximum Panel Thickness  
Momentary Version: 0.394 [10.0mm]  
Maintained Version: 0.472 [12.0mm]

## FEATURES:

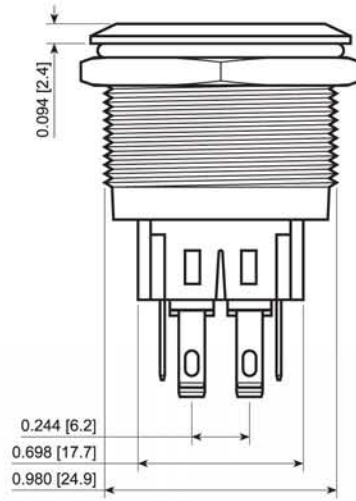
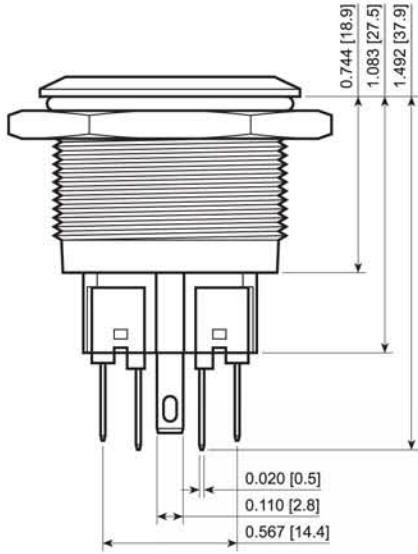
- Vandal and Vandal Resistant
- Long Life Expectancy
- Many Function and Illumination Options

## SPECIFICATIONS:

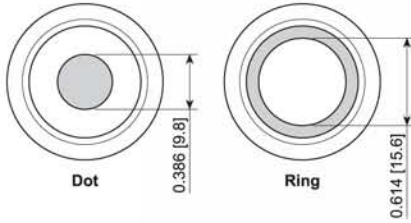
**RATING:** 2A 36VDC  
**ILLUMINATION BASE RATING:**  
 Red, Yellow, and Orange: 20mA 1.8V  
 Blue, Green, and White: 20mA 2.8V  
**TEMPERATURE:** -20°C to 55°C  
**CONTACT RESISTANCE:** 50mΩ Max.  
**INSULATION RESISTANCE:** 1,000MΩ Min.  
**DIELECTRIC STRENGTH:** 2,000VAC  
**MECHANICAL LIFE:** 1,000,000 Cycles  
**ELECTRICAL LIFE:** 50,000 Cycles

## MATERIALS:

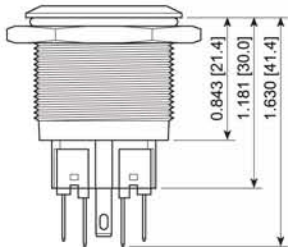
**BUTTON:** Stainless Steel  
 Nickel Plated Brass  
**BODY:** Stainless Steel  
 Nickel Plated Brass  
**BASE:** PBT  
**CONTACTS:** Gold Plated Over Silver Alloy



## Illumination Options



## Maintained Version Dimensions



PV8F2V0SS-311

Series	Actuator Options	Terminal Function	Rating	Body Finish	Actuator Finish	Lens Style	Lens Color	Illumination Voltage
PV8	F - Flat	2 - Solder	0 - 2A 48VDC	N - Nickel S - Stainless Steel	N - Nickel S - Stainless Steel	2 - Dot 3 - Ring	0 - White 1 - Red 2 - Orange 3 - Green 4 - Blue 5 - Yellow	1 - Base Voltage 3 - 6V 4 - 12V 5 - 24V 6 - 125V 7 - 250V

Notes:  
 Additional material, illumination, and marking options are available. Please ask your sales person.

4 Pole:  
 V - 2P Off-(On) / 2P On-(Off)  
 U - 2P Off-On / 2P On-Off

For Illuminated Switches Only

## EXAMPLE PART NUMBERS:

- PV8F2U0SS-344 2P Off-On/2P On-Off  
Flat Actuator, Blue Ring Illumination, 12V
- PV8F2V0SS-211 2P Off-(On)/2P On-(Off)  
Flat Actuator, Red Dot Illumination, 1.8V
- PV8F2V0SS-321 2P Off-(On)/2P On-(Off)  
Flat Actuator, Orange Ring Illumination, 1.8V
- PV8F2Y0SS-235 1P Off-(On)/1P On-(Off)  
Flat Actuator, Green Dot Illumination, 24V
- PV8F2Y0SS-313 1P Off-(On)/1P On-(Off)  
Flat Actuator, Red Ring Illumination, 6V

SPECIFICATIONS SUBJECT TO CHANGE WITHOUT NOTICE



E-SWITCH®

www.e-switch.com

800.867.2717