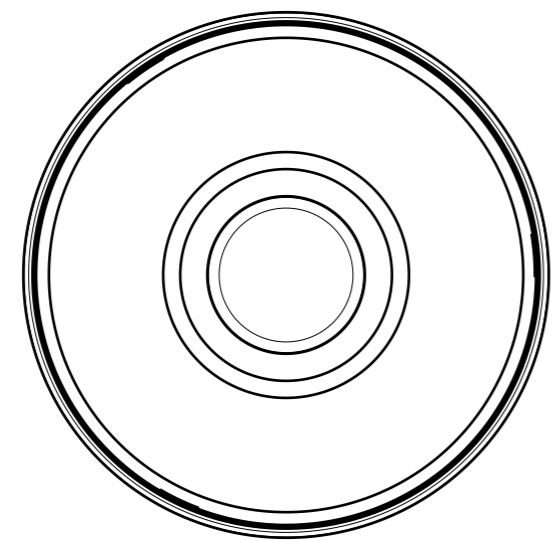
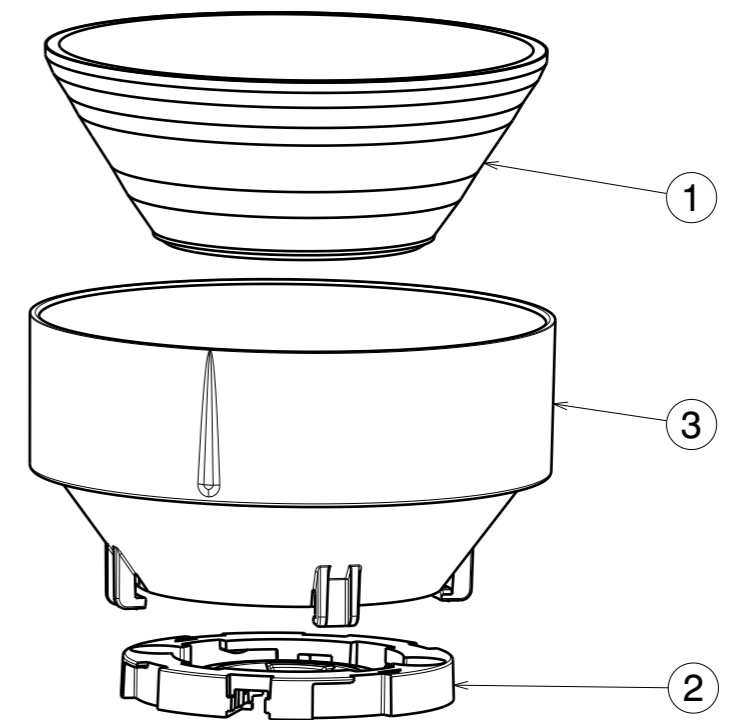


Side view
Scale: 1:1



Top view
Scale: 1:1



Isometric view
Scale: 1:1

INDEX	PART NO	MATERIAL	COLOUR
1	CARMEN-LENS	PMMA	Clear
2	HEKLA-Socket	PBT	White
3	CARMEN-HLD-C	PC	Black

Tolerances if not otherwise shown
According to DIN ISO 2768-1
Linear measures:
up to 30mm class M, otherwise class C
According to DIN ISO 2768-2
Form and position: class L

LEDiL LediL Oy
Salorankatu 10
FIN 24240 SALO
Finland

THIRD ANGLE PROJECTION:

DRAWING TITLE
CARMEN-C_Datasheet

This drawing is the property of LEDiL Oy. It may not be reproduced, copied or communicated without a written agreement with LEDiL Oy.

SIZE PART NUMBER
A3

SCALE 1:1 WEIGHT SHEET 1/1