



Wireless magnetic sensor RF RC M30 SW915 KST Material number: 1362227

Features/Options:

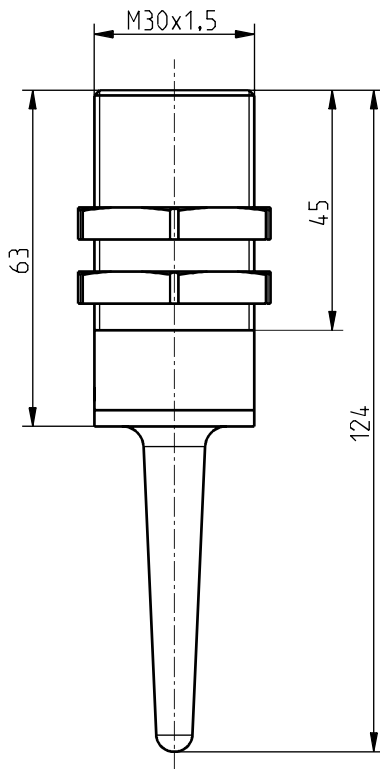
- Thermoplastic enclosure
- sWave® wireless technology
- Power supply by Lithium battery

- No wiring and pipe laying required
- Easy programming of receiver
- Output signal can be individually configured at the receiver

Notes

- 2 mounting nuts are included in delivery
- The actuator is not included in the delivery of the switches

Dimensions



Technical data

Standards	EN 60947-5-1; EN 61000-6-2, -6-3, EN 61000-4-2, -4-20; EN 301 489-1; EN 301 489-3; EN 300 220-1; EN 300 220-2
Enclosure	PVC-C
Degree of protection	IP 67 to IEC/EN 60529
Protocol	sWave®
Ambient temperature	-25 °C ... +65 °C
Switching system	Reed contact
Switching distance	M 100: $s_n > 15$ mm; M 100: $s_a 0 \dots 12,15$ mm M 30 Niro: $s_n > 30$ mm; M 30 Niro: $s_a 0 \dots 24,3$ mm
Hysteresis	< 1 mm
Operation cycles	approx. 12000 telegrams at repetitions/h
Voltage supply	Lithium-battery CR 2032 (replaceable)
Current absorption	without transmissions: Reed contact: approx. 1 μ A
Capacity	approx. 240 mAh
Frequency	915 MHz (USA, Canada and Australia)
Transmission power	< 10 mW
Data rate	66 kbps
Channel bandwidth	400 kHz
Sensing range	max. 450 m outside, max. 40 m inside
Mechanical life	> 1 million operations



Wireless magnetic sensor
RF RC M30 SW915 KST
Material number: 1362227

Technical data

Battery life	approx. 10 years unused, Reed switch: approx. 6 years with 1 actuation per min.
Actuating time	min. 80 ms
Approvals	USA: FCC: XK5-RFRXSW915; Canada: IC: 5158A-RFRXSW915