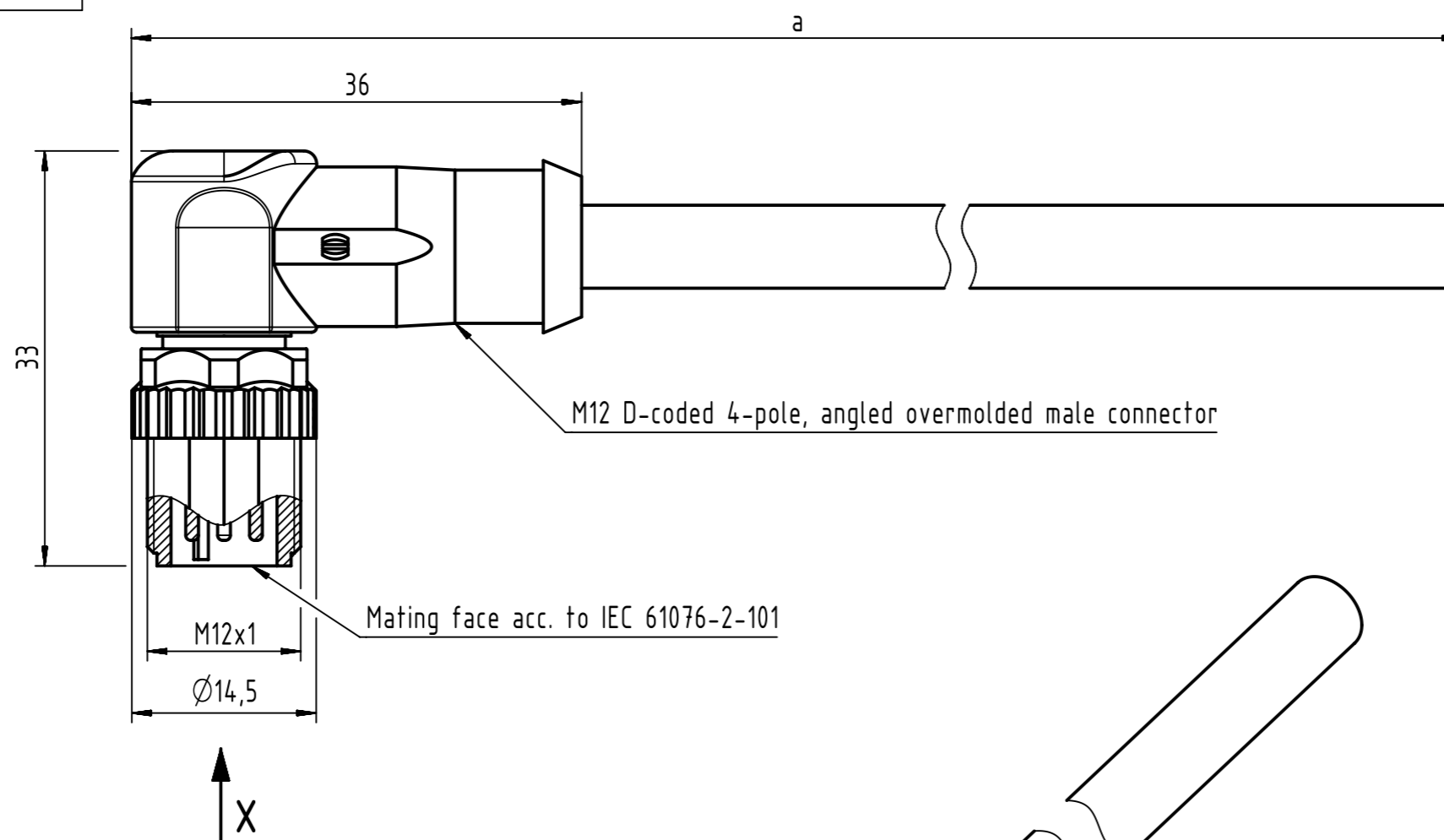


Connector Location A

Connector Location B



M12 D-coded 4-pole, angled overmolded male connector

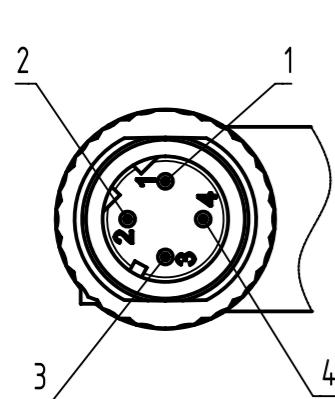
Mating face acc. to IEC 61076-2-101

M12x1

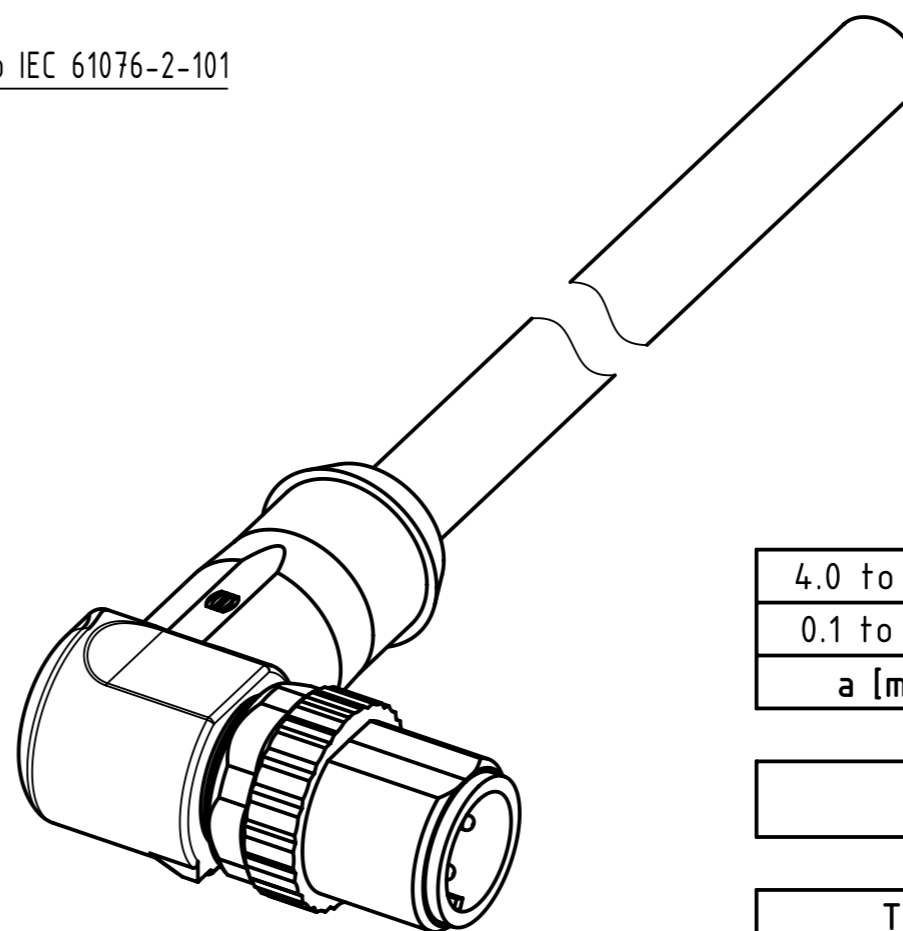
Ø14,5



Loading-Plan:



- Shield
- 1 yellow
- 2 white
- 3 orange
- 4 blue



4.0 to 100	+1%
0.1 to 3.9	+0.04
<b>a [m]</b>	<b>Tolerance</b>

length in "1m" step	100	XXX=000
	99	XXX=990
	.	.
	12	XXX=120
length in "0.1m" step	11	XXX=110
	10	XXX=100
	9.9	XXX=099
	9.8	XXX=098
	.	.
	0.4	XXX=004
	0.3	XXX=003
	0.2	XXX=002
	0.1	XXX=001
<b>Step</b>	<b>a [m]</b>	<b>XXX</b>

<b>Part no.</b>	213494004XXXXXX
<b>Type of cable</b>	XX
PVC, green, 4xAWG22/7	XX=05
PUR, green, 2x2xAWG22/7	XX=77

- Protection level: IP 65/67
- Temperature range: -30°C ... +70°C

	All Dimensions in mm	Tech. Character.		Free size tol.		According to production drawing	
	All rights reserved Department HCS - RO	Created by MUNTEANV	Inspected by POPESCU	Standardisation AVRAM	Date 2017-04-06	State Final Release	
HARTING Customised Solutions D-32427 Minden		Title M12 D-coded Cable Assembly				Doc-Key / ECM-Nr. 100588495/UGD/000/D 500000117781	
		Type TB	Number 213494004XXXXXX			Rev. D	Page 1/1