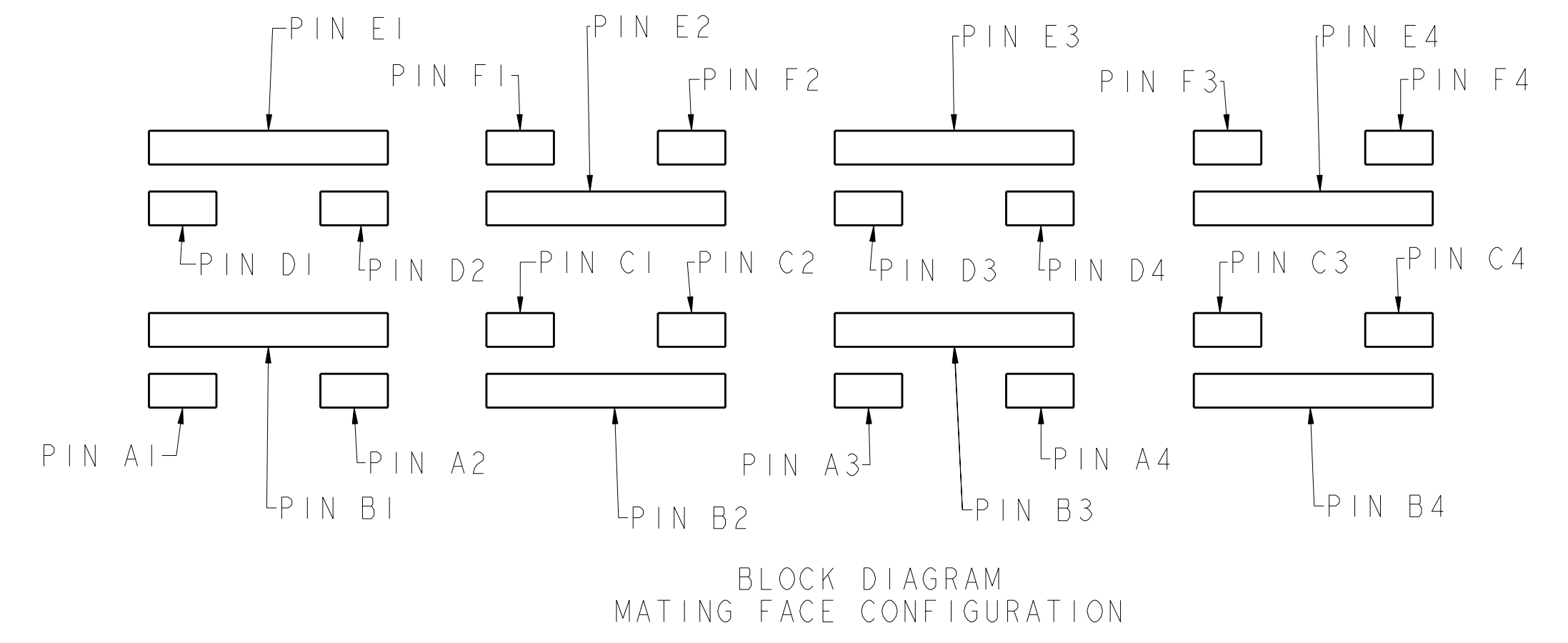
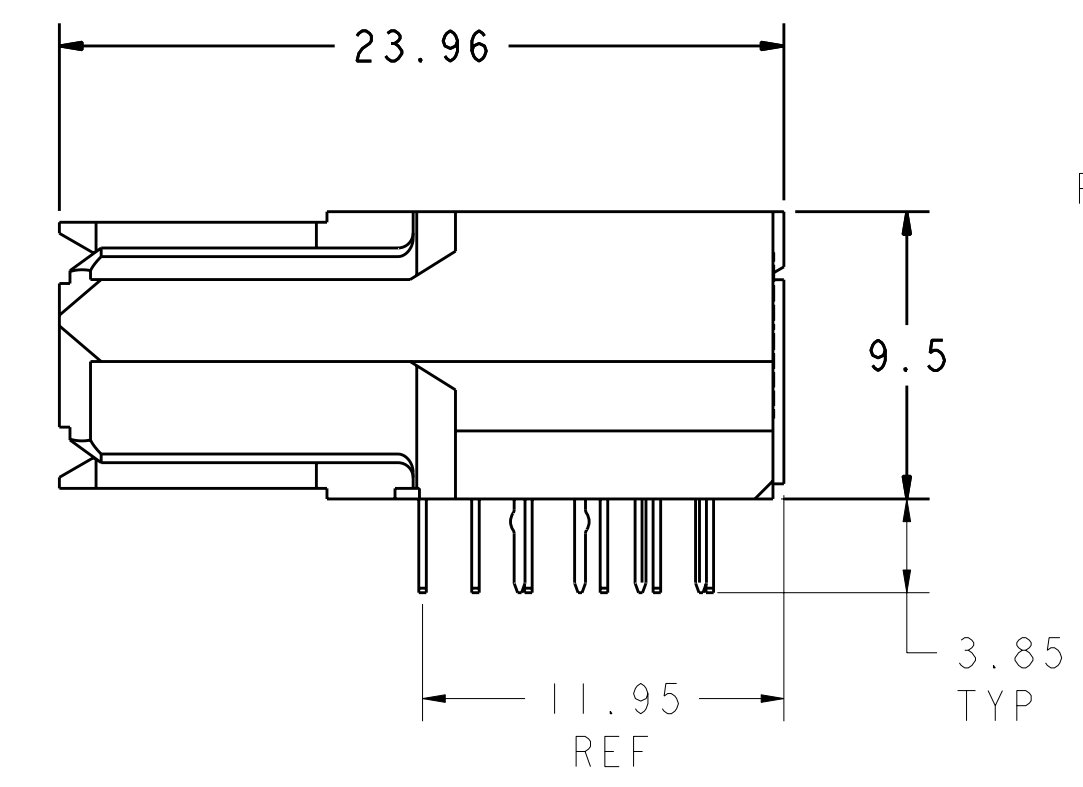
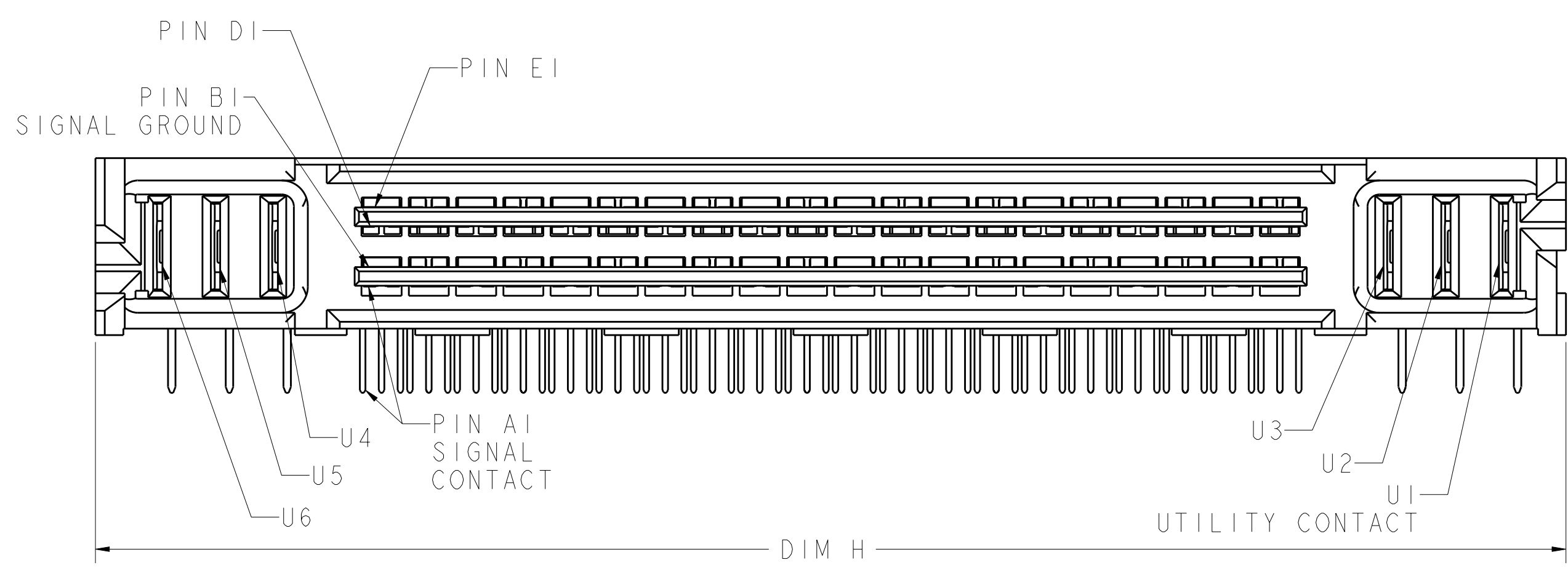
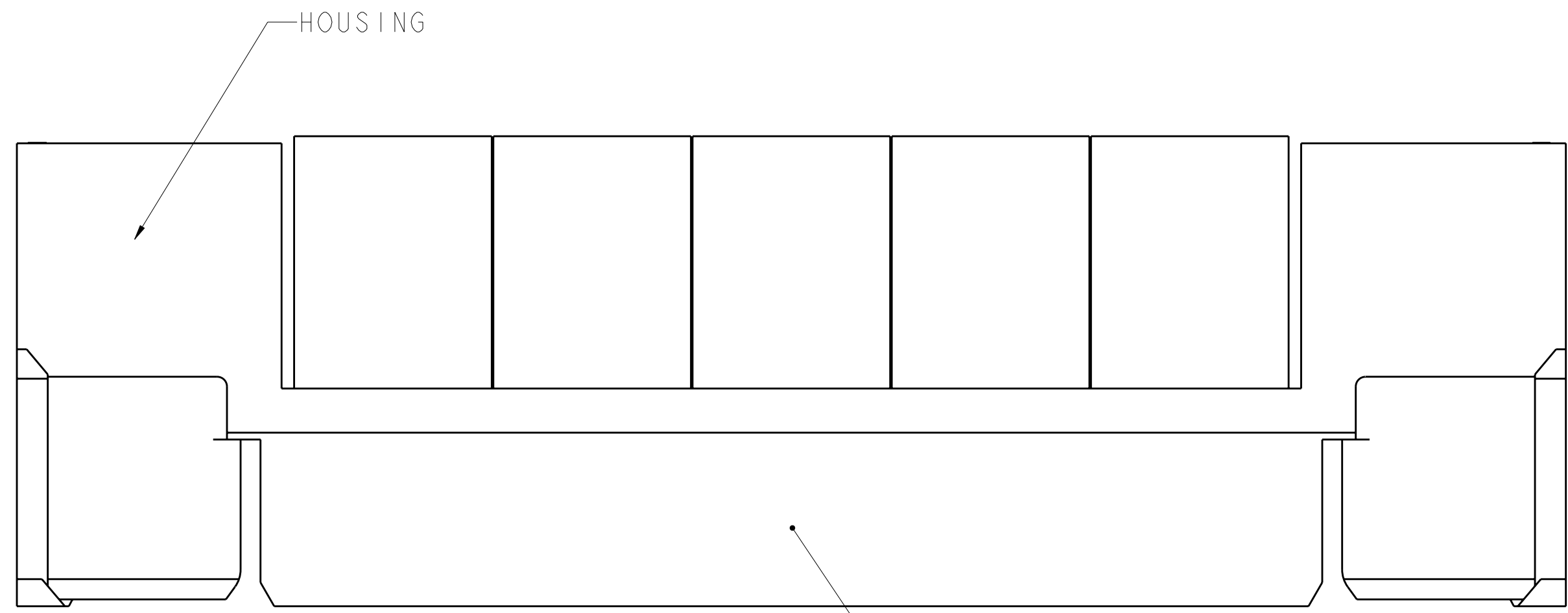
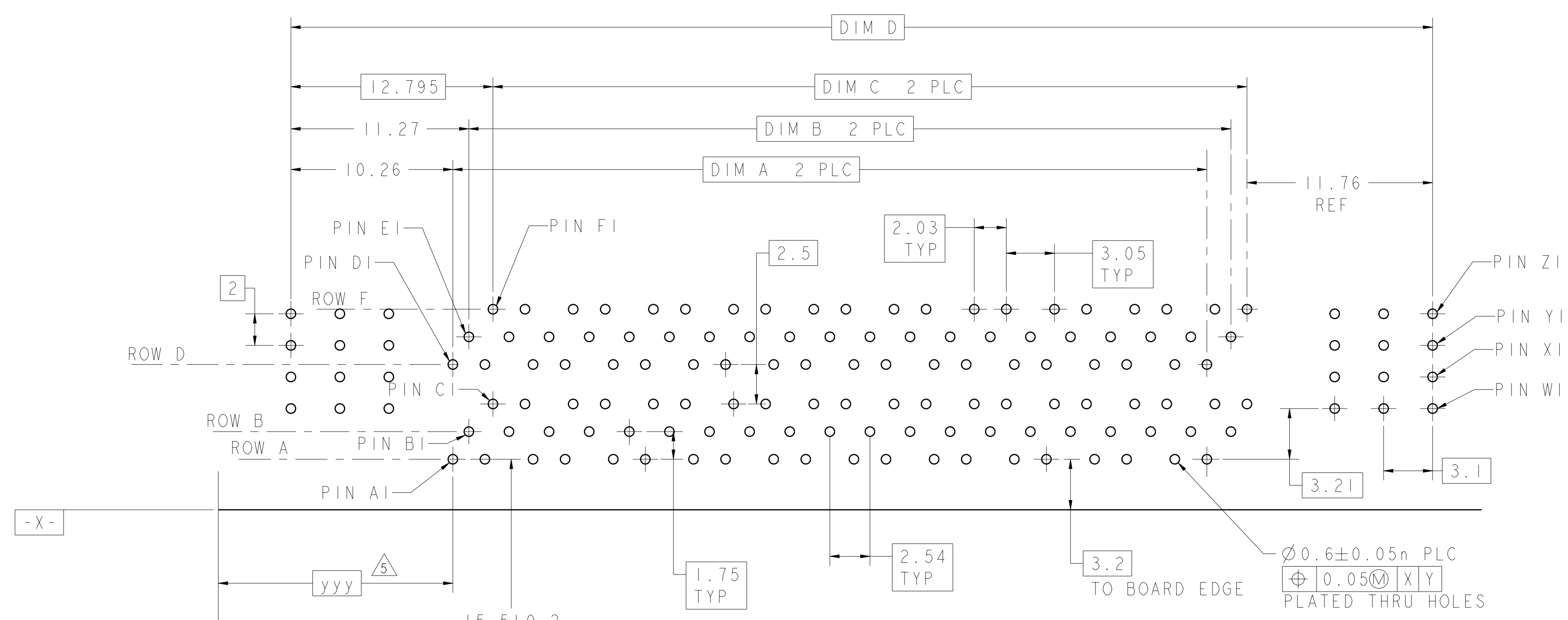


LOC	DIST	REV	DESCRIPTION	DATE	DWN	APVD
GP	00	B	REVISED PER ECO-08-015957	18AUG2008	ZMR	EDB
		C	REVISED PER ECO-10-012356	09DEC2010	CJV	EJB

- △ HOUSINGS; POLYESTER, UL 94V-0 RATED, NATURAL
- SIGNAL AND SIGNAL GROUND CONTACTS: COPPER ALLOY
- UTILITY CONTACTS: PHOSPHOR BRONZE
- △ UTILITY CONTACTS: 0.76µm MIN GOLD IN CONTACT AREA,
2.54µm MIN TIN ON PCB TAILS, OVER 1.27µm MIN NICKEL OVER ALL.
- SIGNAL AND SIGNAL GROUND CONTACTS: 0.76µm MIN GOLD IN CONTACT AREA,
2.54µm MIN TIN ON PCB TAILS, OVER 1.27µm MIN NICKEL OVER ALL.
- 3. ROWS A, C, D, AND F ARE SIGNAL CONTACTS. ROWS B AND E ARE SIGNAL GROUND CONTACTS.
- △ CONNECTOR SIZE CAN ACCOMMODATE INDICATED QUANTITY OF DIFFERENTIAL PAIRS.
- △ DIMENSIONS PER CUSTOMER BOARD LAYOUT.
- △ COMPANY LOGO IN APPROXIMATE AREA SHOWN.



LOADED UTILITY CONTACTS						
NO	NO	YES	YES	YES	YES	2-6367550-7
YES	YES	YES	YES	YES	YES	6367550-9
YES	YES	YES	YES	YES	YES	6367550-8
YES	YES	YES	YES	YES	YES	6367550-7
YES	YES	YES	YES	YES	YES	6367550-6
YES	YES	YES	YES	YES	YES	6367550-5
YES	YES	YES	YES	YES	YES	6367550-4
YES	YES	YES	YES	YES	YES	6367550-3
YES	YES	YES	YES	YES	YES	6367550-2
YES	YES	YES	YES	YES	YES	6367550-1
U6	U5	U4	U3	U2	U1	PART NUMBER



192	99.32	92.62	68.58	68.07	56	2-6367550-7
240	119.64	112.94	88.90	88.39	72	6367550-9
216	109.48	102.78	78.74	78.23	64	6367550-8
192	99.32	92.62	68.58	68.07	56	6367550-7
168	89.16	82.46	58.42	57.91	48	6367550-6
144	79.00	72.30	48.26	47.75	40	6367550-5
120	68.84	62.14	38.10	37.59	32	6367550-4
96	58.68	51.98	27.94	27.43	24	6367550-3
72	48.52	41.82	17.78	17.27	16	6367550-2
48	38.36	31.66	7.62	7.11	8	6367550-1
N	H DIM	D DIM	B DIM	A OR C DIM	DIFF PAIRS	PART NUMBER

RECOMMENDED PC BOARD FOOTPRINT
 COMPONENT SIDE SHOWN
 SCALE: 5:1

DIMENSIONS: mm TOLERANCES UNLESS OTHERWISE SPECIFIED: 9 PLC ±0.3 1 PLC ±0.25 5 PLC ±0.25 4 PLC ±0.25 ANGLES ±0.25		DWN BY: VAN SCOIO CHK: E. BRIANT APVD: E. BRIANT DATE: 09SEP2005 NAME: Z-DOK+ HOST BOARD CONNECTOR ASSEMBLY, 8-72 SIGNAL DIFF. PAIR, 3 UTILITY CONTACTS PER SIDE PRODUCT SPEC: 108-1985 APPLICATION SPEC: 114-13068 WEIGHT: - CUSTOMER DRAWING		Tyco Electronics Harrisburg, PA 17105-3608 SIZE: A1 CAGE CODE: 00779 DRAWING NO: 6367550 SCALE: 4:1 SHEET: 1 OF 1 REV: C	
---	--	--	--	---	--