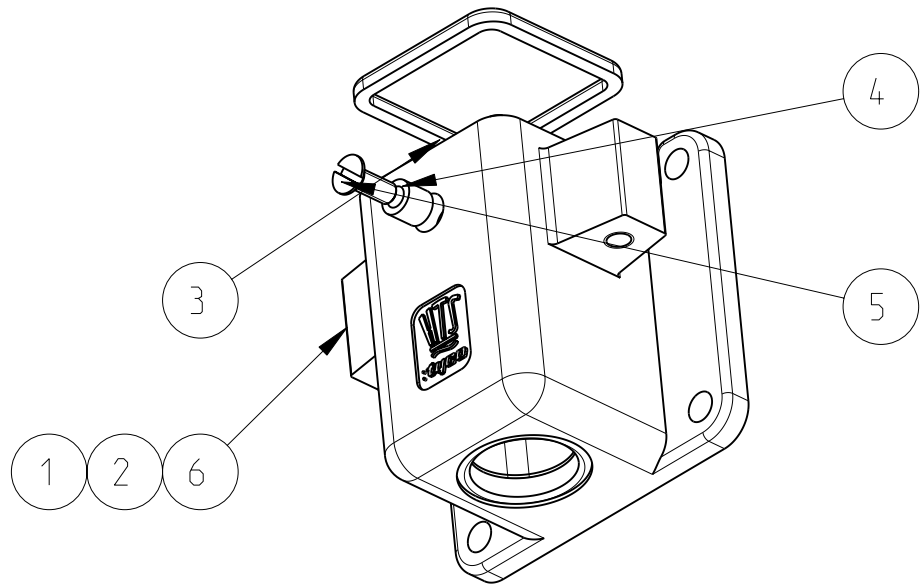
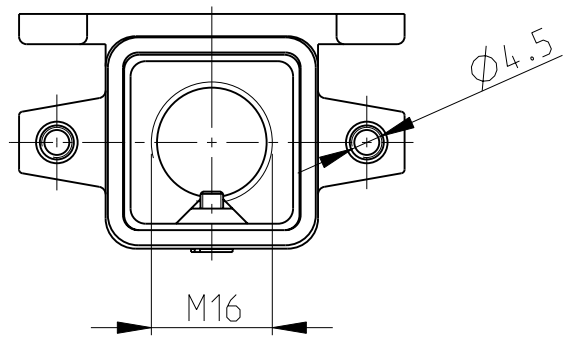
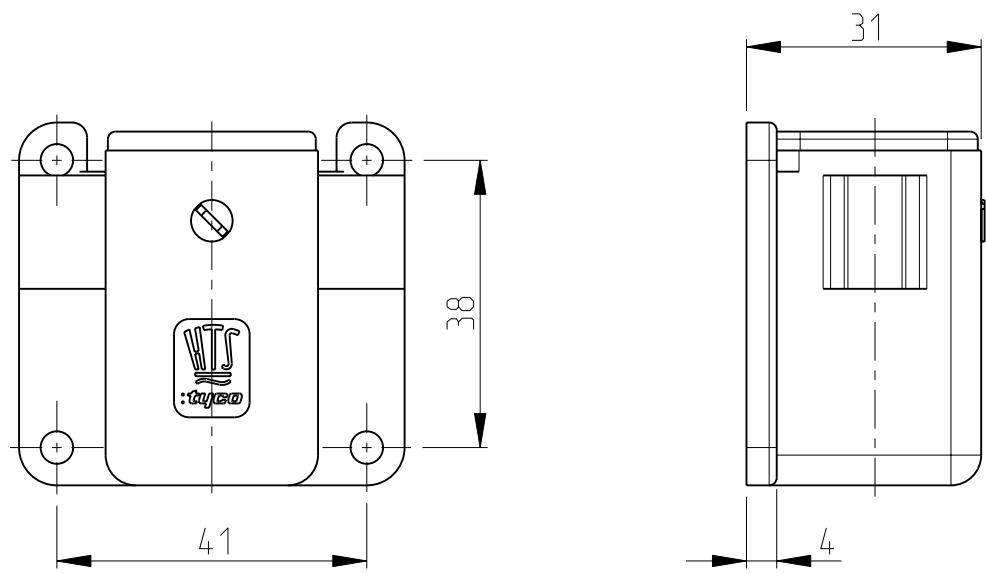


THIS DRAWING IS UNPUBLISHED. RELEASED FOR PUBLICATION 2009
 © COPYRIGHT 2009 BY TYCO ELECTRONICS CORPORATION. ALL RIGHTS RESERVED.

LOC	DIST	REVISIONS				
P	LTR	DESCRIPTION	DATE	DWN	APVD	
A1	-	A2	ECR-09-023155	22OCT2009	VG	AR
		A3	ECR-10-009777	27MAY2010	SR	AR



Notes

- 1 SUITABLE HOUSINGS: SERIES HIP, SIZE 1
CUSTOMER DRAWING 1102600 1106408, 1106200
- 2 STANDARDS:
DIN EN 61984, DIN EN 60664-1
- 3 TOOL:
SLOTTED SCREW DRIVER 4.0x0.8
- 4 VARNISH ON INSIDE AREA NOT NECESSARY
- 5 PACKAGING:
10 SETS IN A CARTON, PRE-MOUNTED

PART NO.	ORDERING TEXT
0-1106407-3	HIP-K.3/4.SG-N
0-1106407-2	HIP-K.3/4.SG.1.M16.G
0-1106407-1	HIP.3/4.SG.1.M16.G

QTY	PN/QTY	DESCRIPTION	MATERIAL	COLOR/SURFACE	NOTE	ITEM
1		ANGLED BULKHEAD HOUSING	ALU	BLACK	WITHOUT LOGO & DRILLING	6
1	1 1	SCREW, SLOTTED COUNTERS. FLAT HEAD	STAINL. STEEL	BLANK	M3x8 DIN EN ISO 2009	5
1	1 1	HOSE SECTION	FKM	BLACK	SERIES EMV / HIP Ø3x1x4.5	4
1	1 1	PROFILE SEAL	FKM	BLACK	SERIES EMV / HIP	3
	1 -	ANGLED BULKHEAD HOUSING	ALU	BLACK	SERIES HIP-K	2
	- 1	ANGLED BULKHEAD HOUSING	ALU	GREY	SERIES HIP	1

PARTS LIST (PER ONE UNIT)

<small>THIS DRAWING IS A CONTROLLED DOCUMENT FOR TYCO ELECTRONICS CORPORATION IT IS SUBJECT TO CHANGE AND THE CONTROLLING ENGINEERING ORGANIZATION SHOULD BE CONTACTED FOR THE LATEST REVISION.</small>		DWN V.GLUMM 25AUG2009 CHK H.Braun 25AUG2009 APVD T.Schnurpfeil 25AUG2009	Tyco Electronics AMP GmbH 64625 Bensheim (Germany)
DIMENSIONS: mm 	TOLERANCES UNLESS OTHERWISE SPECIFIED: 0 PLC ±- 1 PLC ±- 2 PLC ±- 3 PLC ±- 4 PLC ±- ANGLES ±1°	PRODUCT SPEC - APPLICATION SPEC - WEIGHT -	NAME ANGLD BULKHEAD HOUSING ASS'Y SIDE ENTRY, SERIES HIP, SIZE 1 SIZE A3 CAGE CODE 00779 DRAWING NO ©=1106407 RESTRICTED TO -
MATERIAL -	FINISH -	CUSTOMER DRAWING SCALE 1:1 SHEET 1 OF 1 REV A3	