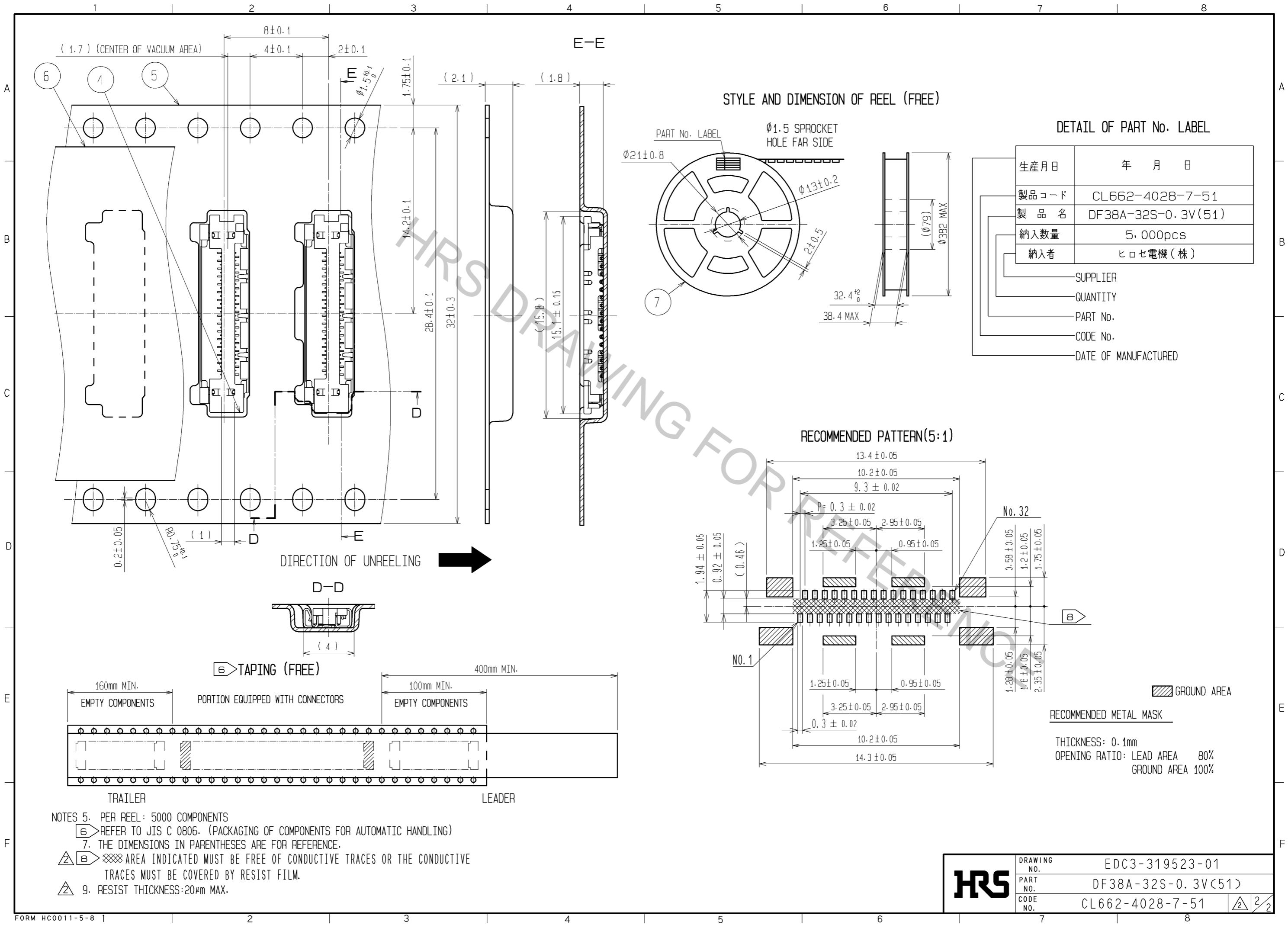


- NOTES
- LEAD CO-PLANARITY SHALL BE 0.1mm MAX.
 - STIFFENER IS REQUIRED FOR MOUNTING ONTO FPC IN ORDER TO AVOID STRESS BY FPC SLACKING TO MOUNTED CONNECTOR.
 - UNMATING SHALL BE DONE WITH THE SPECIFIC EXTRACTION TOOL.
 - SOLDERING REWORK IS NOT POSSIBLE SINCE SOLDERING LEADS ARE COVERED BY METAL SHIELDING.

2	LCP	UL94V-0	7	PS	BLACK
1	PHOSPHOR BRONZE	CONTACT AREA : Au PLATING 0.1µm min LEAD AREA : Au PLATING 0.1µm min UNDER PLATING : Ni PLATING 1µm min	6	POLYESTER	CLEAR
			5	PS	CLEAR
			4	POLYAMIDE	BLACK (CAP)
			3	PHOSPHOR BRONZE	WHOLE AREA : Sn PLATING 1µm min UNDER PLATING : Cu PLATING 0.2µm min
NO.	MATERIAL	FINISH . REMARKS	NO.	MATERIAL	FINISH . REMARKS
UNITS mm		SCALE FREE	COUNT 3	DESCRIPTION OF REVISIONS DIS-H-004511	
APPROVED : TS. SAKATA 08.06.18			DESIGNED	KT. ISHII	
CHECKED : HK. UMEHARA 08.06.18			CHECKED	TS. FUKUSHIMA	
DESIGNED : HY. SHIOZAWA 08.06.18			DATE	10.03.10	
DRAWN : SI. ISHII 08.06.18			DRAWING NO. EDC3-319523-01		
HRS HIROSE ELECTRIC CO., LTD.			PART NO. DF38A-32S-0.3V(51)		
			CODE NO. CL662-4028-7-51		

Apr.1.2017 Copyright 2017 HIROSE ELECTRIC CO., LTD. All Rights Reserved.

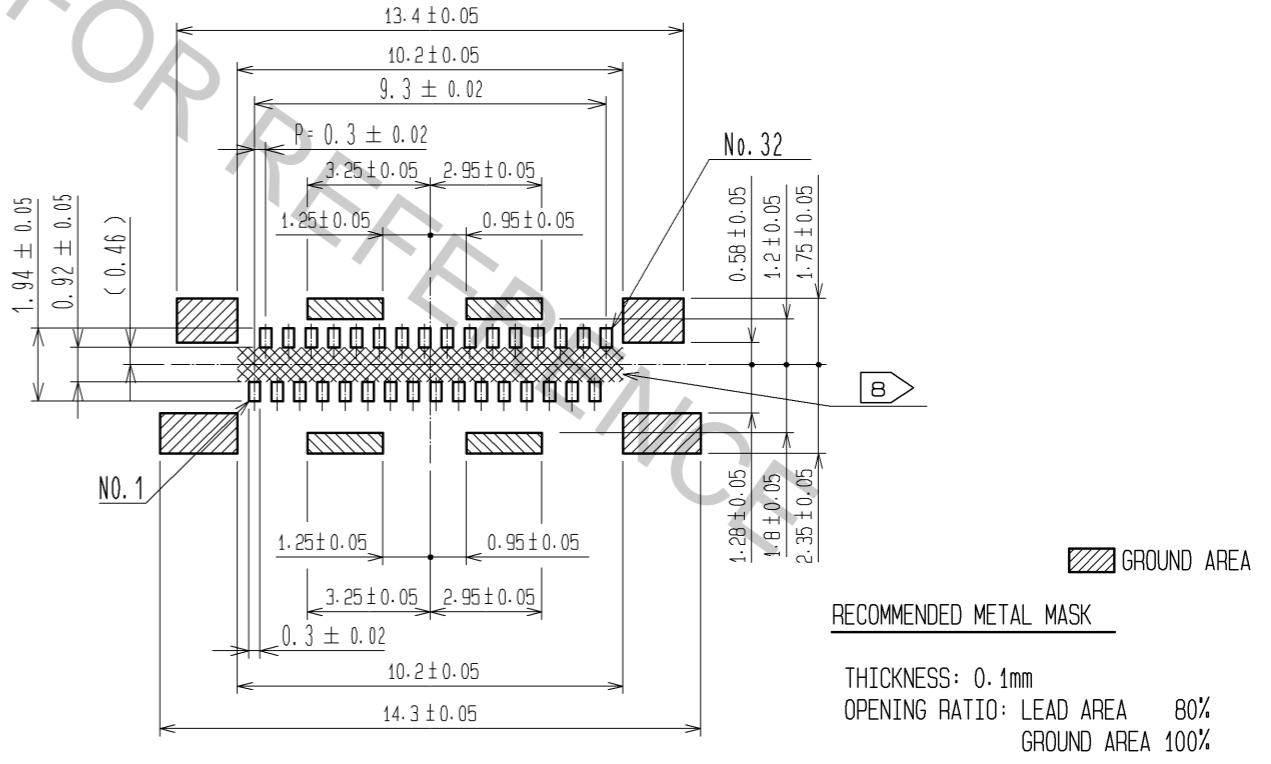


STYLE AND DIMENSION OF REEL (FREE)

DETAIL OF PART No. LABEL

生産月日	年 月 日
製品コード	CL662-4028-7-51
製品名	DF38A-32S-0.3V(51)
納入数量	5,000pcs
納入者	ヒロセ電機(株)
SUPPLIER	
QUANTITY	
PART No.	
CODE No.	
DATE OF MANUFACTURED	

RECOMMENDED PATTERN(5:1)



RECOMMENDED METAL MASK
 THICKNESS: 0.1mm
 OPENING RATIO: LEAD AREA 80%
 GROUND AREA 100%

- NOTES
- PER REEL: 5000 COMPONENTS
 - REFER TO JIS C 0806. (PACKAGING OF COMPONENTS FOR AUTOMATIC HANDLING)
 - THE DIMENSIONS IN PARENTHESES ARE FOR REFERENCE.
 - AREA INDICATED MUST BE FREE OF CONDUCTIVE TRACES OR THE CONDUCTIVE TRACES MUST BE COVERED BY RESIST FILM.
 - RESIST THICKNESS: 20µm MAX.

HRS	DRAWING NO.	EDC3-319523-01
	PART NO.	DF38A-32S-0.3V(51)
	CODE NO.	CL662-4028-7-51
		2/2