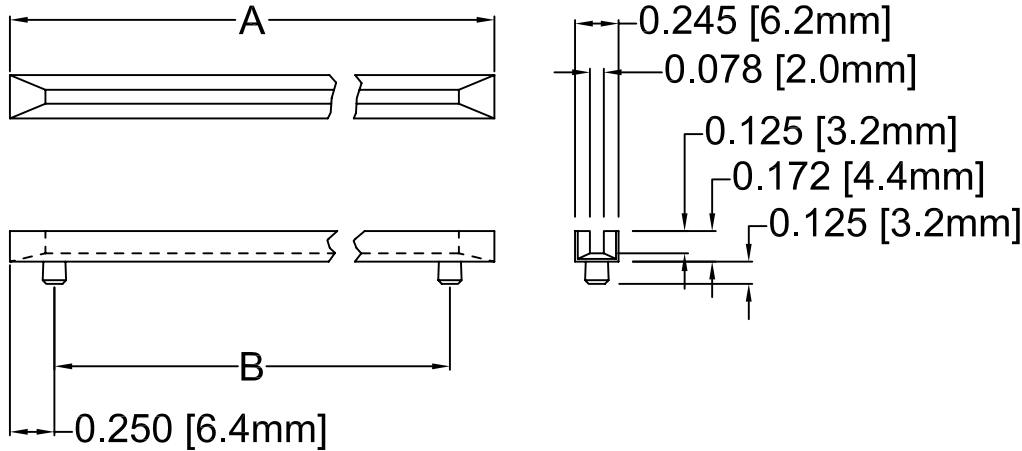
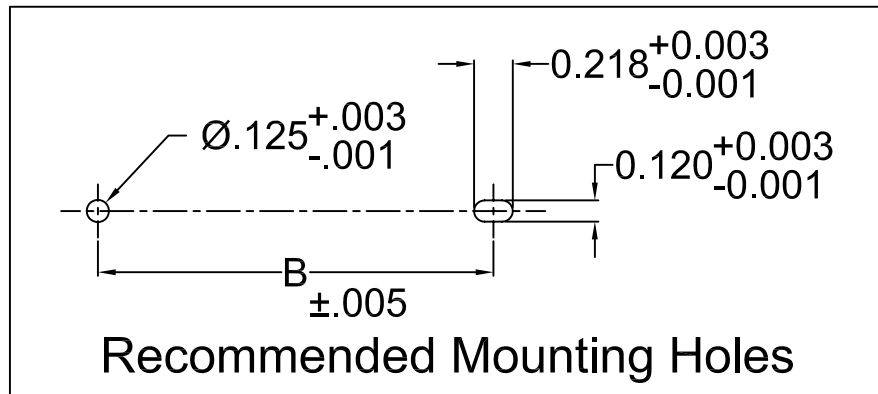


REV.	DESCRIPTION	DATE	APPROVED
B	Engineering Update w/o Changes	03/01/04	M. C.
C	Unit Conversion and Typing Errors	12/17/07	M. C.
D	Updated Material and P/N's	03/04/08	M. C.




Part No.	A ±0.030 [±0.76mm]	B ±0.024 [±0.61mm]
S-250	2.538 (64.5mm)	2.030 (51.6mm)
S-300	3.045 (77.3mm)	2.538 (64.5mm)
S-350	3.553 (90.2)	3.045 (77.3mm)
S-400	4.060 (103.1mm)	3.553 (90.2mm)
S-450	4.568 (116.0mm)	4.060 (103.1mm)
S-500	5.075 (128.9mm)	4.568 (116.0mm)
S-550	5.583 (141.8mm)	5.075 (128.9mm)
S-600	6.090 (154.7mm)	5.583 (141.8mm)
S-650	6.598 (167.6mm)	6.090 (154.7mm)
S-700	7.105 (180.5mm)	6.598 (167.6mm)
S-750	7.613 (193.4mm)	7.105 (180.5mm)
S-800	8.120 (206.2mm)	7.613 (193.4mm)
S-850	8.628 (219.2mm)	8.120 (206.2mm)



2. MATERIAL: NYLON 6/6, CARBON FIBER ESD, BLACK. (MODIFIED PLASTICS MN6/6-CF15 SE BK)
BIVAR MATERIAL CODE 15-GY.

1. GENERAL SPECIFICATIONS: BIVAR MOLDED COMPONENT SPECIFICATION BV00-E101.

STANDARD TOLERANCE (UNLESS OTHERWISE SPECIFIED)		 BIVAR [®] 4 THOMAS, IRVINE, CA. 92618 TEL: (949) 951-8808 FAX: (949) 951-3974	
DECIMALS	ANGULAR		
.X ±.1	X° ± 1°	TITLE: ANTI-STATIC PRESS-IN CARD GUIDE	
.XX ±.01			
.XXX ±.005			
DESIGNED: Michael Chen	DATE: 01/21/03	PART NO: S-XXX	REVISION: D
CHECKED: D. Green	DATE: 01/21/03	CAGE CODE : 32559	SHEET # 1 OF 1
CAD GENERATED DOCUMENT, DO NOT MEASURE DRAWING.			