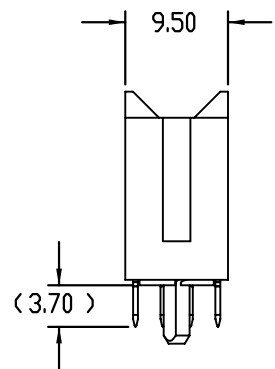
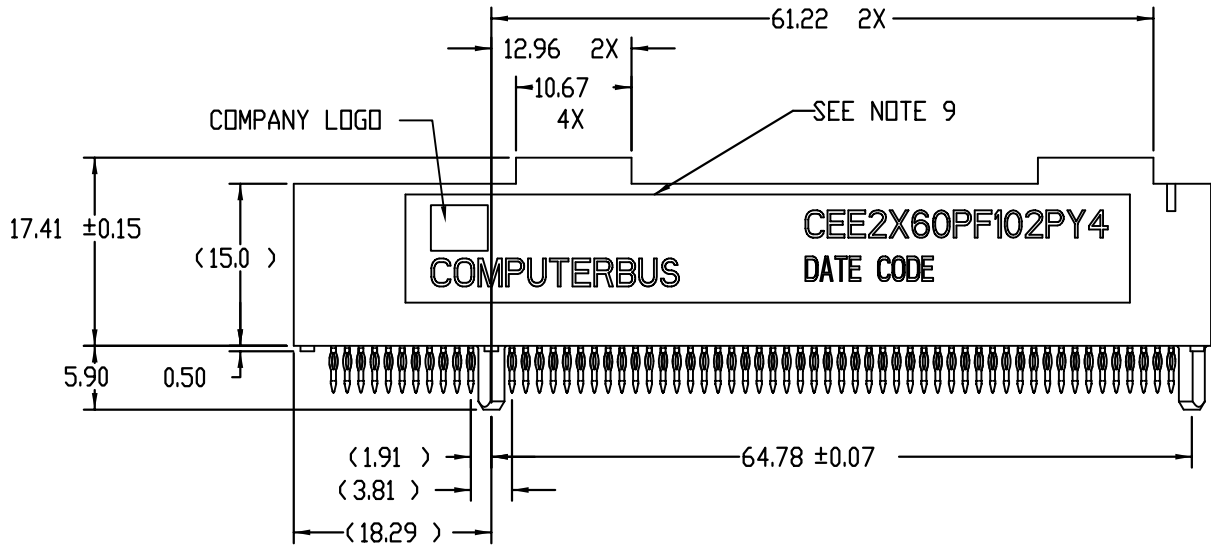
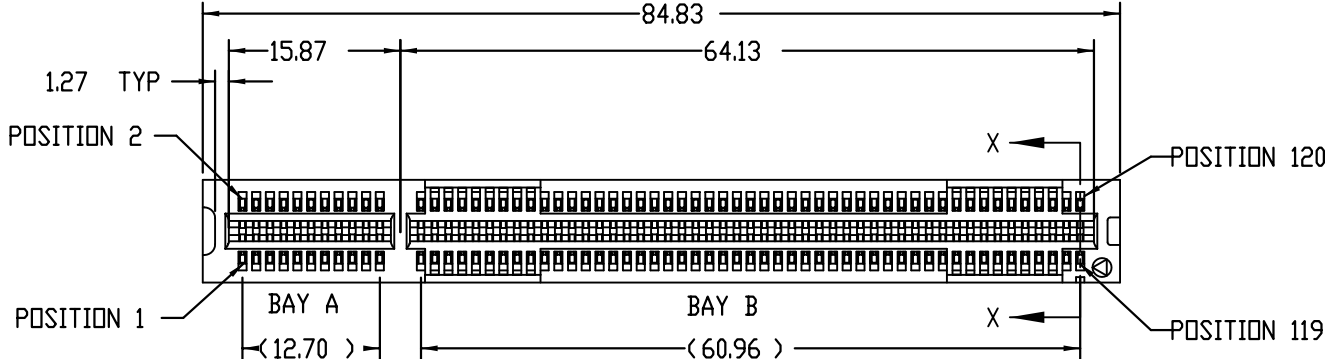


PRODUCT NUMBER  
SEE TABLE



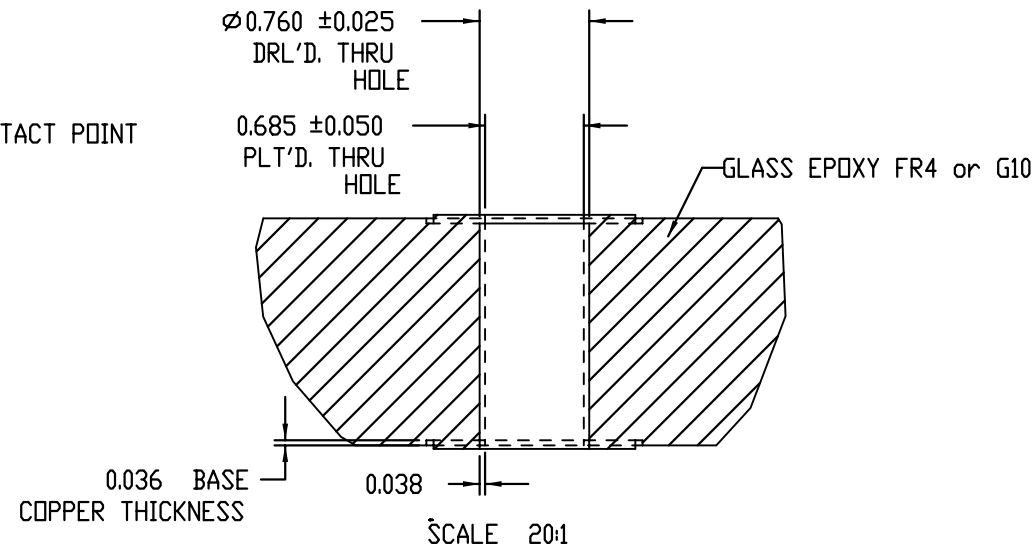
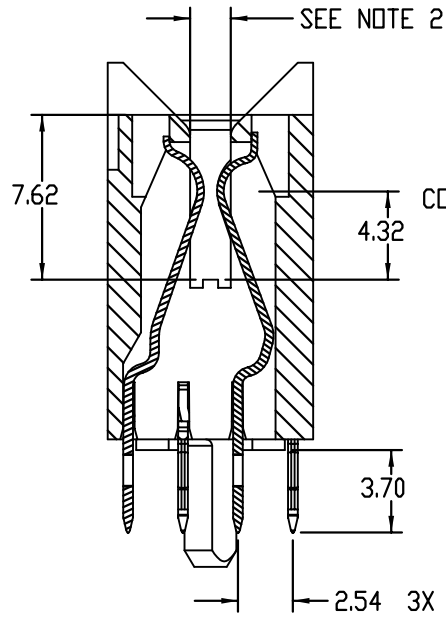
mat'l. code				surface ISO 1302		tolerance ISO 406 ISO 1101		projection		product family CARDEGE	
itr				ecn no		dr		date		title	
H				v04-1156		TAB		12/08/04		CEE 2X60 PF	
J				M05-0079		ERE		04/25/05		CONNECTOR ASSEMBLY	
K				M06-0037		MHT		3/30/06		scale 3:2	
L				M06-0234		AGS		06/16/06		sheet 1 of 6 size	
M				M06-0325		MHT		8/24/06		S97191	
N				M06-0427		AGS		10/26/06		A3	
P				M08-0221		AGS		07/08/08		type Product Customer Drawing	
sheet				revision		P		P		P	
index				sheet		1		2		3	
						4		5		6	



Copyright FCI

form A3

FCI CATALOG NO. F/CONNECTORS W/CARD COLLECTORS	CONNECTOR SIZE	NO. CONTACTS LOADED	TERMINATION	LOAD PATTERN UNPOPULATED POSITIONS	CONTACT PAIRS BAY A	CONTACT PAIRS BAY B	CONTACT PAIRS BAY C
CEE2X60PF-102PY4	2x60	120	PRESS FIT	FULLY LOADED	11	49	n/a
CEE2X60PF-102PY4W	2x60	120	PRESS FIT	FULLY LOADED	11	49	n/a
CEE2X60PF-102PY4LF	2x60	120	PRESS FIT	FULLY LOADED	11	49	n/a
CEE2X60PF102PY4WLF	2x60	120	PRESS FIT	FULLY LOADED	11	49	n/a



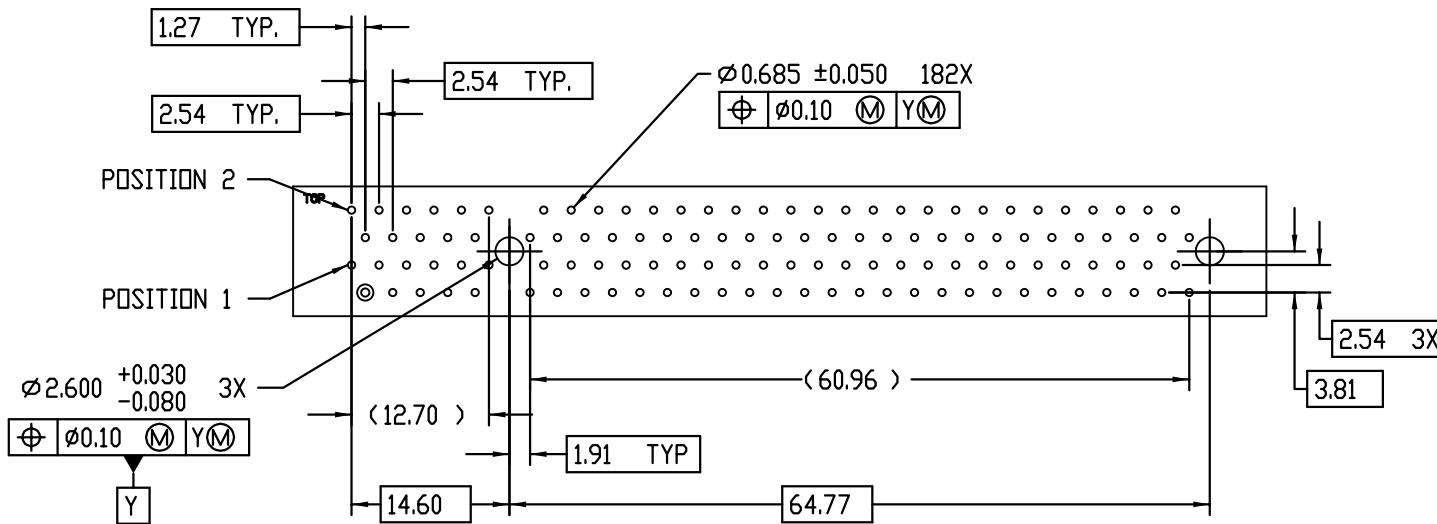
RECOMMENDED PLATED THRU HOLE DIMENSIONS  
FOR COMPLIANT PRESS PINS



Copyright FCI

mat'l. code		surface ISO 1302		tolerance ISO 406 ISO 1101		projection		product family CARDEGE	
ltr	ecm no	dr	date	tolerances unless otherwise specified		MM		title CEE 2X60 PF CONNECTOR ASSEMBLY	
P				angles	linear	scale 3:2		dwg no S97191	
				0°±1'				sheet 2 of 6 size A3	
				dr	G. PETERS	9/12/01		type Product Customer Drawing	
				engr	D. CASEY	9/24/01			
				chr	G. PETERS	9/12/01			
				appd	D. CASEY	9/12/01			
sheet index	revision sheet								

PRODUCT NUMBER  
SEE TABLE



RECOMMENDED BACKPLANE HOLE PATTERN FOR CEE2x60PF-102PY4 & CEE2X60PF-102PY4LF  
CEE2x60PF-102PY4W & CEE2X60PF102PY4WLF

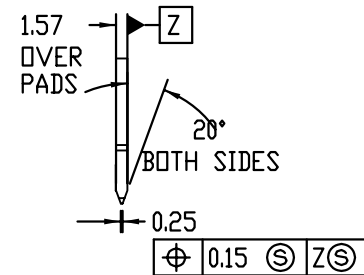
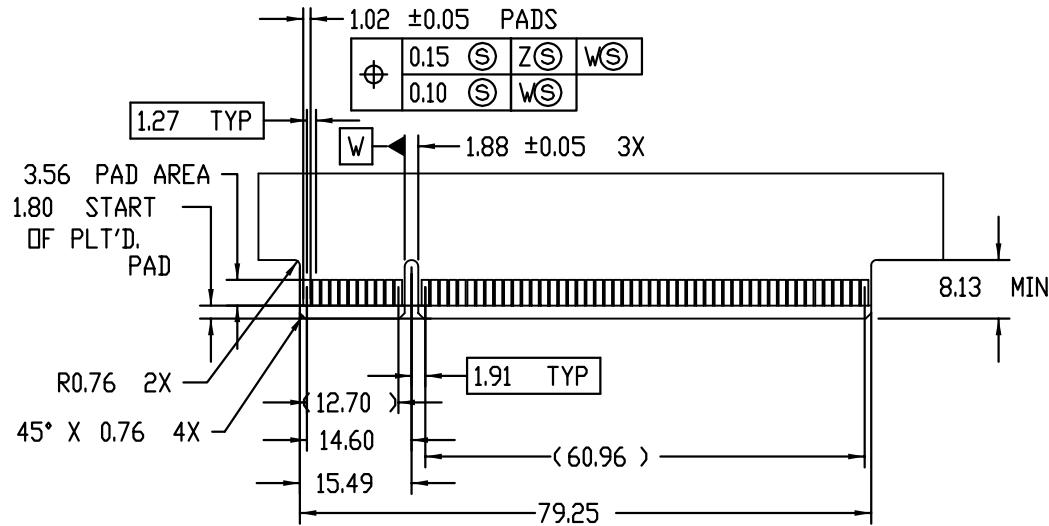


Copyright FCI

mat'l. code		surface ISO 1302 <input checked="" type="checkbox"/>		tolerance ISO 406 ISO 1101		projection 		product family CARDEGE	
ltr	ecn no	dr	date	tolerances unless otherwise specified		MM		title CEE 2X60 PF CONNECTOR ASSEMBLY	
P				angles	linear	.X±.2 .XX±.10 .XXX±.050		scale 3:2	
				0°±1'				dwg no S97191	
				dr	G. PETERS	9/12/01		sheet 3 of 6 size A3	
				engr	D. CASEY	9/24/01		type Product Customer Drawing	
				chr	G. PETERS	9/12/01			
				appd	D. CASEY	9/12/01			
sheet index	revision sheet								

form: A3

PRODUCT NUMBER  
SEE TABLE



RECOMMENDED MATING COMPONENT BOARD FOR CEE2x60PF-102PY4 & CEE2X60PF-102PY4LF  
CEE2x60PF-102PY4W & CEE2X60PF102PY4WLF

mat'l. code		surface ISO 1302		tolerance ISO 406 ISO 1101		projection MM		product family CARDEGE	
ltr	ecn no	dr	date	tolerances unless otherwise specified					
P				angles	linear	.X±.2	.XX±.10	.XXX±.050	scale 3:2
				0°±1°					
				dr	G. PETERS	9/12/01			
				engr	D. CASEY	9/24/01			
				chr	G. PETERS	9/12/01			
				appd	D. CASEY	9/12/01			
sheet index	revision sheet								

CEE 2X60 PF  
CONNECTOR ASSEMBLY

sheet 4 of 6 size  
S97191 A3

type Product Customer Drawing

PRODUCT NUMBER  
SEE TABLE

NOTES:

1. INTERPRET THIS DRAWING IN ACCORDANCE WITH ANSI Y14.5M -1982.
2. CONNECTORS WITH CARD COLLECTING SCOOPS ARE DESIGNED TO ACCOMMODATE 1.57+/- .180 PC BOARDS WITH WARPAGE UP TO +/-2.03.
3. RECOMMENDED COMPONENT BOARD MATERIAL:  
P.C. BOARD:FR-4 WITH 28.35 GRAMS MIN. COPPER, PADS PLATED WITH .76 MICRONS MIN GOLD, PER MIL-G-45204, TYPE 1, CLASS 1, GRADE C OVER 2.54 MICRONS MIN NI. UNDERPLATE PER QQ-N-290.
4. RECOMMENDED BACK PLANE THICKNESS IS 2.39 FOR 3.71 COMPLIANT TAIL.
5. CONTACT MATING SURFACES ARE LUBRICATED WITH OS-138.
6. MATERIAL:

BODY: POLYPHTHALAMIDE (PPA) UL RATED 94V-0  
COLOR, BLACK  
LIQUID CRYSTAL POLIMER (LCP) 30% GF  
COLOR, NATURAL

CONTACTS: PHOS BRONZE

CONTACT FINISH:

MAYBE BE EITHER 30μ(0.76μm) GOLD OR 30μ(0.76μm) GXT PLATED AT MANUFACTURER'S OPTION IN CRITICAL CONTACT AREA.

1-3μm (39-118μ") TIN-LEAD OVER 1.27μm(50μ") NI UNDERPLATE ON CONTACT TAILS.

LEAD FREE OPTION:

MAYBE BE EITHER 30μ(0.76μm) GOLD OR 30μ(0.76μm) GXT PLATED AT MANUFACTURER'S OPTION IN CRITICAL CONTACT AREA.

1-3μm (39-118μ") PURE TIN OVER 1.27μm(50μ") NI UNDERPLATE ON CONTACT TAILS.

7. PERFORMANCE CHARACTERISTICS: SEE SHEET 7.
8. ITEM NAME, LOGO, PART NUMBER, DATE CODE, AND UL SYMBOLS TO BE DISPLAYED IN THIS AREA. NATURAL COLOR CONNECTOR ONLY WILL HAVE DATE CODE DISPLAYED.
9. LF SUFFIX AT THE END OF PART NUMBER IS LEAD FREE.
10. THIS PRODUCT MEETS EUROPEAN UNION DIRECTIVES AND OTHER COUNTRY REGULATION AS DESCRIBED IN GS-22-008.
11. PART NUMBERS WITH "W" AT THE END OR "W" BEFORE "LF" ARE MOLDED IN NATURAL COLOR.



Copyright FCI

mat'l. code		surface ISO 1302		tolerance ISO 406 ISO 1101		projection 		product family CARDEGE	
ltr	ecr no	dr	date	tolerances unless otherwise specified				title CEE 2X60 PF CONNECTOR ASSEMBLY	
P				angles	linear	.X±.2 .XX±.10 .XXX±.050		scale 3:2	
				Q'±1"				dwg no S97191	
				dr	G. PETERS	9/12/01			sheet 5 of 6 size A3
				enr	D. CASEY	9/24/01			
				chr	G. PETERS	9/12/01			
				appd	D. CASEY	9/12/01			type Product Customer Drawing
sheet index	revision sheet								

PRODUCT NUMBER  
SEE TABLE

PERFORMANCE CHARACTERISTICS:

ENVIRONMENTAL:

OPERATING TEMPERATURE: -40C TO 105C  
THERMAL SHOCK: EIA-364 TP32, -55C TO +85C, 5 CYCLES

FLAMABILITY RATING: UL94V-0

MECHANICAL:

DURABILITY: 100 MATING CYCLES WITHOUT PHYSICAL DAMAGE, OR EXCEEDING LOW LEVEL CONTACT RESISTANCE REQUIREMENTS WHEN MATED WITH RECOMMENDED CARD.

CONTACT RETENTION: EIA-364 TP29. 4.4 N MIN.

MATING FORCE: EIA-364 TP13, 2.0 N MAX. AVERAGE PER OPPOSING PAIR USING GAUGE PER MIL-STD-C-21097 WITH CARD PROFILE

CONTACT NORMAL FORCE: 0.72 N MINIMUM

PRESS FIT TERMINATION FORCES: INSERTION FORCE 70 N MAX. PER PIN  
RETENTION FORCE 9 N MIN. PER PIN

ELECTRICAL:

CONTACT RESISTANCE: EIA-364 TP45, WITH 10 MILLIOHM MAX. INITIAL, 20 (LOW SIGNAL LEVEL) MILLIOHM RISE. COMPONENT BOARD SIDE - 1 MILLIOHM MAX., CONNECTION PRESS FIT PIN WITH w/PLATED THROUGH HOLE.

INSULATION RESISTANCE: MILL-STD-202, METHOD 302, CONDITION B, 1000 MEGAOHMS MIN.

DIELECTRIC WITHSTAND VOLTAGE: EIA-364 TP45, CONDITION 1, 500 VAC RM

CAPACITANCE: 2 PICROFARADS, MAX AT 1 MEGAHERTZ

CURRENT RATING: 1 AMP, 30C RISE ABOVE AMBIENT

VOLTAGE RATING: 150 VAC (RMS)



Copyright FCI

mat'l. code		surface ISO 1302		tolerance ISO 406 ISO 1101		projection 		product family CARDEGE	
ltr	ecr no	dr	date	tolerances unless otherwise specified				title CEE 2X60 PF CONNECTOR ASSEMBLY	
P				angles	linear	.X±.2 .XX±.10 .XXX±.050		scale 3:2	
				Q'±1"				dwg no S97191	
				dr	G. PETERS	9/12/01			sheet 6 of 6 size A3
				engr	D. CASEY	9/24/01			
				chr	G. PETERS	9/12/01			
				appd	D. CASEY	9/12/01			type Product Customer Drawing
sheet index	revision sheet								