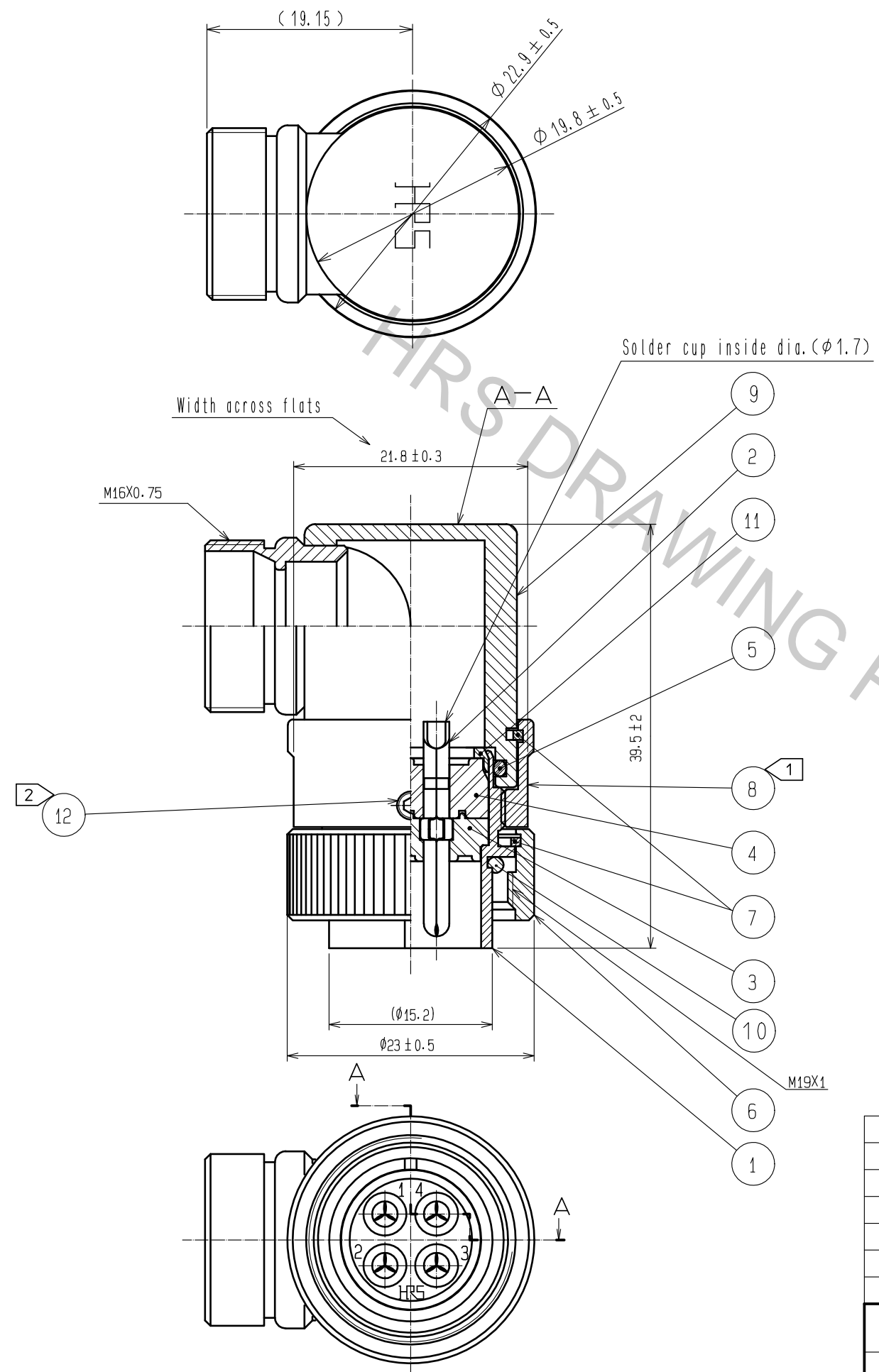


Aug.1.2018 Copyright 2018 HIROSE ELECTRIC CO., LTD. All Rights Reserved.  
 In case that the application demands a high level of reliability, such as automotive,  
 please contact a company representative for further information.



- Notes
- ① The recommended tightening torque of REF.NO. ⑧ : 3 to 4 N·m.  
 LOCTITE 243, HENKEL JAPAN or equivalent is recommended to prevent REF.NO. ⑧ from loosening.
  - ② The recommended tightening torque of REF.NO. ⑫ : 0.2 to 0.3 N·m.  
 LOCTITE 243, HENKEL JAPAN or equivalent is recommended to prevent REF.NO. ⑫ from loosening.
  - ⚠ ③ This product to be used with cableclamp, JR13WCC-\*(32).  
 \* designate diameter of applicable cable.
  - ④ One example of the rotations of REF.NO. ①, ⑧ and ⑨ is shown.
  - ⑤ The cable pull and twisting strength and other characteristics may differ,  
 depending on the cable structure, please confirm before the use.

6	Brass	Nickel plating	12	Stainless steel	
5	Diallyl phthalate	(Gray)	11	Polyacetal	(White)
4	Diallyl phthalate	(Black) UL94V-0	10	Acrylonitrile butadiene rubber	(Gray)
3	Diallyl phthalate	(Black) UL94V-0	9	Brass	Nickel plating
2	Copper alloy	Silver plating 2 μm min.	8	Brass	Nickel plating
1	Brass	Nickel plating	7	Phosphor bronze	Nickel plating
NO.	MATERIAL	FINISH . REMARKS	NO.	MATERIAL	FINISH . REMARKS

UNITS mm		SCALE 2 : 1	COUNT 1	DESCRIPTION OF REVISIONS DIS-C-00002192	DESIGNED HY. KISHI	CHECKED HY. KOBAYASHI	DATE 18. 04. 10
<b>HRS</b> HIROSE ELECTRIC CO., LTD.		APPROVED : HY. KOBAYASHI	18. 02. 22	DRAWING NO. EDC-114569-31-00			
		CHECKED : HY. KOBAYASHI	18. 02. 22	PART NO. RM15WTLP-4P(31)			
		DESIGNED : HY. KISHI	18. 02. 22	CODE NO. CL109-1886-3-31			
		DRAWN : MK. INOUE	18. 02. 08			1/1	