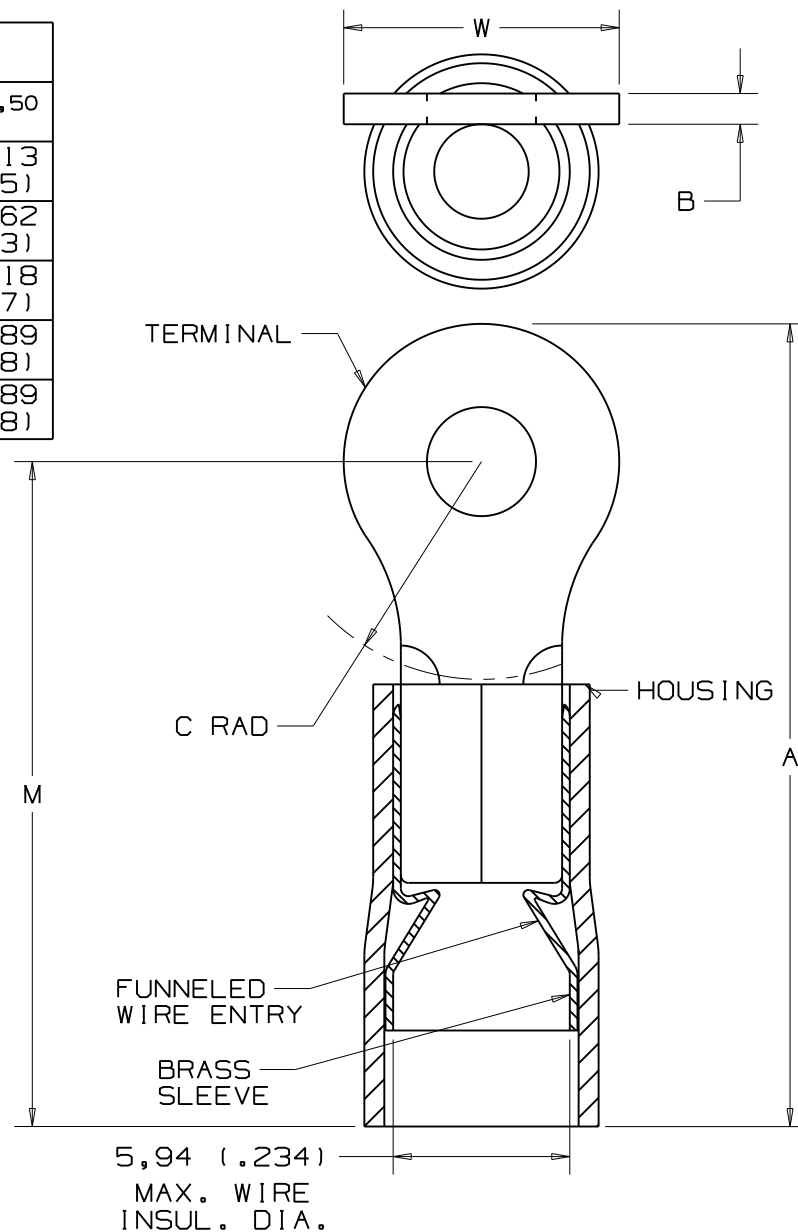


PART NUMBER	STUD SIZE	WIRE RANGE mm ²	DIMENSIONS mm				
			A ±.50	W ±.25	C ±.38	B ±.25	M ±.50
PMNF6-3R	M3	*2,5-6,0 (12-10)	26,67 (1.05)	5,84 (.23)	9,14 (.36)	1,02 (.04)	24,13 (.95)
PMNF6-4R	M4	*2,5-6,0 (12-10)	27,43 (1.08)	7,87 (.31)	9,14 (.36)	1,02 (.04)	23,62 (.93)
PMNF6-5R	M5	*2,5-6,0 (12-10)	27,04 (1.06)	9,65 (.38)	9,14 (.36)	1,02 (.04)	22,18 (.87)
PMNF6-6R	M6	*2,5-6,0 (12-10)	30,23 (1.19)	10,92 (.43)	10,92 (.43)	1,02 (.04)	24,89 (.98)
PMNF6-8R	M8	*2,5-6,0 (12-10)	31,50 (1.24)	13,21 (.52)	10,92 (.43)	1,02 (.04)	24,89 (.98)

NOTES:

- USED FOR:
 - A. 600V MAX. VOLTAGE RATING
 - B. 105°C (221°F) MAX. TEMP. RATING
 - C. SOLID & STRANDED COPPER WIRE
 - *D. WIRE RANGE; 4,0-6,0mm² FOR CT-1551M
- SEE www.panduit.com FOR PART NUMBER SUFFIX DESIGNATION FOR PACKAGE SIZE.
- MATERIAL:
 - A. STAMPING: ETP 110 COPPER, TIN PLATED
 - B. HOUSING: TYPE 6/6 NYLON, YELLOW
- WIRE STRIP LENGTH: 7,1 ⁺⁸/₋₀ (9/32 ^{+1/32}/₋₀)
- INSTALLATION TOOLS: REF. DWGS. A41522, A41523, A41524, A41525
- DIMENSIONS IN BRACKETS ARE IN INCHES OR AWG



08	5/11	SRB		Revised note #2					
REV	DATE	BY	CHK	DESCRIPTION	ECN #	CUST	PM		

PANDUIT CORP

TINLEY PARK, ILLINOIS

2,5-6,0 mm² METRIC NYLON INSULATED,
FUNNELED ENTRY RING TERMINAL

DRAWN BY BDK CHK'D LM SCALE NONE DRAWING NO. A41515