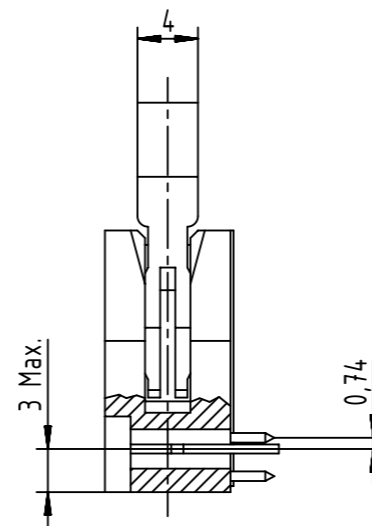
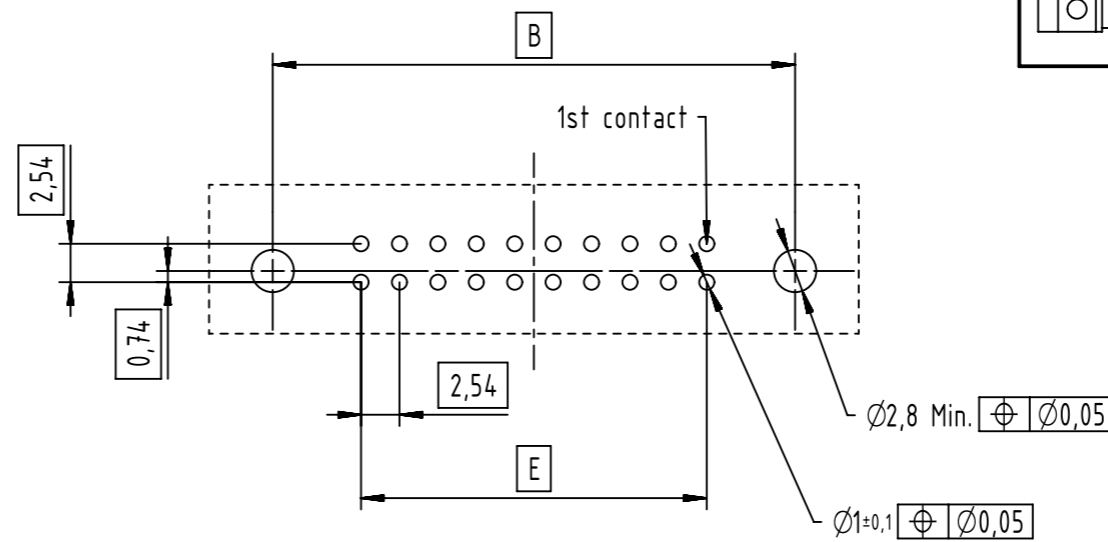
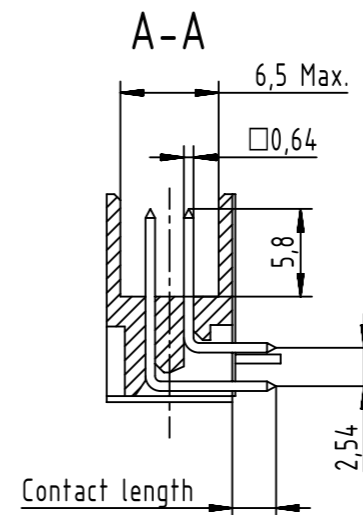


See tables for coding feature arrangement and style



PC-Board layout view component side thickness 1,6 mm




-Find further technical information on drawings:
 DS 09181200001 for 09185xxx95x
 DS 09191130201 for 09195xxx95x

Coding style table

	Style A: For connector 6 poles
	Style B: For connectors from 10 to 14 poles
	Style C: For connectors from 16 to 64 poles

	All rights reserved	Created by	Inspected by	Standardisation	Date	State	Doc-Key / ECM-Nr. 100553402/UGD/001/A 50000067148
	Department EC PD - FR	DOUGE	BAGDIKIAN	HOFFMANN	2013-11-07	Final Release	
HARTING Electronics GmbH D-32339 Espelkamp		Title SEK male STD angled with long levers and board locks			Type	Number	Rev.
					TB	091X5XXX95X	A Page 1/2

Nb of Contacts	Performance Level			Solder process	Contact Length ±0,3(mm)	Dimensions (mm)				
	PL3 : 50 mating Cycles No Gas Test	PL2 : 250 mating Cycles 4 day Gas Test	S4 : 0,76µm Au or equivalent PdNi			A Max	B	D	E	G
06	0918 506 7953	0918 506 6953	0918 506 5953	wave Soldering	2,9	27,2	16,76	12,45	2,54 x 2 = 5,08	40,3
10	0918 510 7953	0918 510 6953	0918 510 5953			32,3	21,84	17,53	2,54 x 4 = 10,16	45,4
14	0918 514 7953	0918 514 6953	0918 514 5953			37,4	26,92	22,61	2,54 x 6 = 15,24	50,4
16	0918 516 7953	0918 516 6953	0918 516 5953			39,9	29,46	25,15	2,54 x 7 = 17,78	53
20	0918 520 7953	0918 520 6953	0918 520 5953			45,0	34,54	30,23	2,54 x 9 = 22,86	58,1
24	0918 524 7953	0918 524 6953	0918 524 5953			50,1	39,62	35,91	2,54 x 11 = 27,94	63,2
26	0918 526 7953	0918 526 6953	0918 526 5953			52,6	42,16	37,85	2,54 x 12 = 30,48	65,7
30	0918 530 7953	0918 530 6953	0918 530 5953			58,0	47,24	43,83	2,54 x 14 = 35,56	68,6
34	0918 534 7953	0918 534 6953	0918 534 5953			62,8	52,32	48,01	2,54 x 16 = 40,64	75,8
40	0918 540 7953	0918 540 6953	0918 540 5953			70,4	59,94	55,63	2,54 x 19 = 48,26	83,5
50	0918 550 7953	0918 550 6953	0918 550 5953			83,1	72,64	68,33	2,54 x 24 = 60,96	96,2
60	0918 560 7953	0918 560 6953	0918 560 5953			95,8	85,34	81,03	2,54 x 29 = 73,66	108,9
64	0918 564 7953	0918 564 6953	0918 564 5953			100,9	90,42	86,11	2,54 x 31 = 78,74	113,9
06	0919 506 7953	0919 506 6953	0919 506 5953			Wave & Reflow Soldering	2,9	27,2	16,76	12,45
10	0919 510 7953	0919 510 6953	0919 510 5953	32,3	21,84			17,53	2,54 x 4 = 10,16	45,4
14	0919 514 7953	0919 514 6953	0919 514 5953	37,4	26,92			22,61	2,54 x 6 = 15,24	50,4
16	0919 516 7953	0919 516 6953	0919 516 5953	39,9	29,46			25,15	2,54 x 7 = 17,78	53
20	0919 520 7953	0919 520 6953	0919 520 5953	45,0	34,54			30,23	2,54 x 9 = 22,86	58,1
24	0919 524 7953	0919 524 6953	0919 524 5953	50,1	39,62			35,91	2,54 x 11 = 27,94	63,2
26	0919 526 7953	0919 526 6953	0919 526 5953	52,6	42,16			37,85	2,54 x 12 = 30,48	65,7
30	0919 530 7953	0919 530 6953	0919 530 5953	58,0	47,24			43,83	2,54 x 14 = 35,56	68,6
34	0919 534 7953	0919 534 6953	0919 534 5953	62,8	52,32			48,01	2,54 x 16 = 40,64	75,8
40	0919 540 7953	0919 540 6953	0919 540 5953	70,4	59,94			55,63	2,54 x 19 = 48,26	83,5
50	0919 550 7953	0919 550 6953	0919 550 5953	83,1	72,64			68,33	2,54 x 24 = 60,96	96,2
60	0919 560 7953	0919 560 6953	0919 560 5953	95,8	85,34			81,03	2,54 x 29 = 73,66	108,9
64	0919 564 7953	0919 564 6953	0919 564 5953	100,9	90,42			86,11	2,54 x 31 = 78,74	113,9

	All Dimensions in mm Original Size DIN A3	Scale 2:1	Free size tol.		Ref.
	All rights reserved Department EC PD - FR	Created by DOUGE	Inspected by BAGDIKIAN	Standardisation HOFFMANN	Date 2013-11-07
HARTING Electronics GmbH D-32339 Espelkamp		Title SEK male STD angled with long levers and board locks			State Final Release
		Type TB	Number 091X5XXX95X		Doc-Key / ECM-Nr. 100553402/UGD/001/A 50000067148
					Rev. A Page 2/2