

Customer Information Sheet

DRAWING No.: M20-877XXXXP

SHEET 2 OF 2

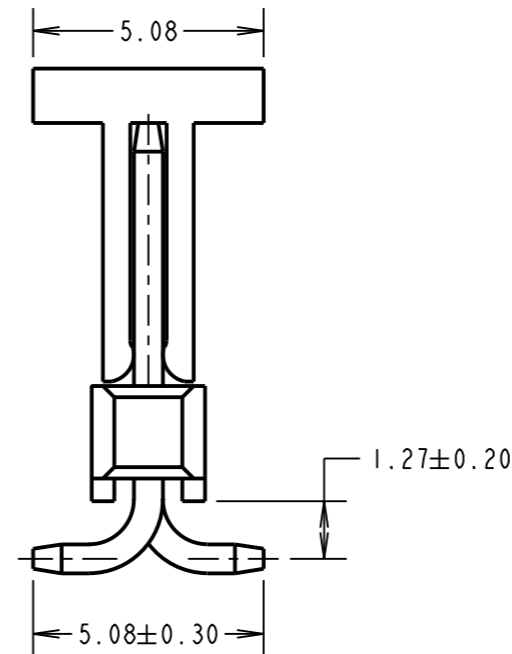
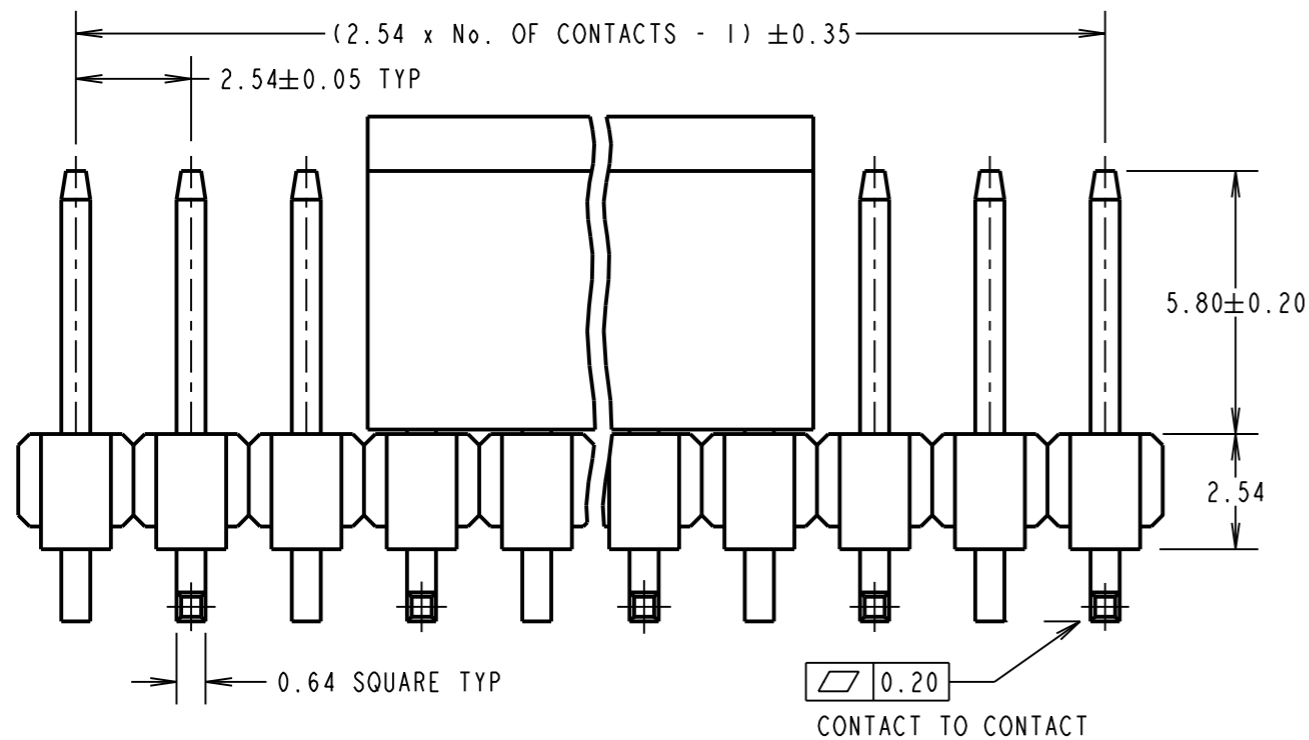
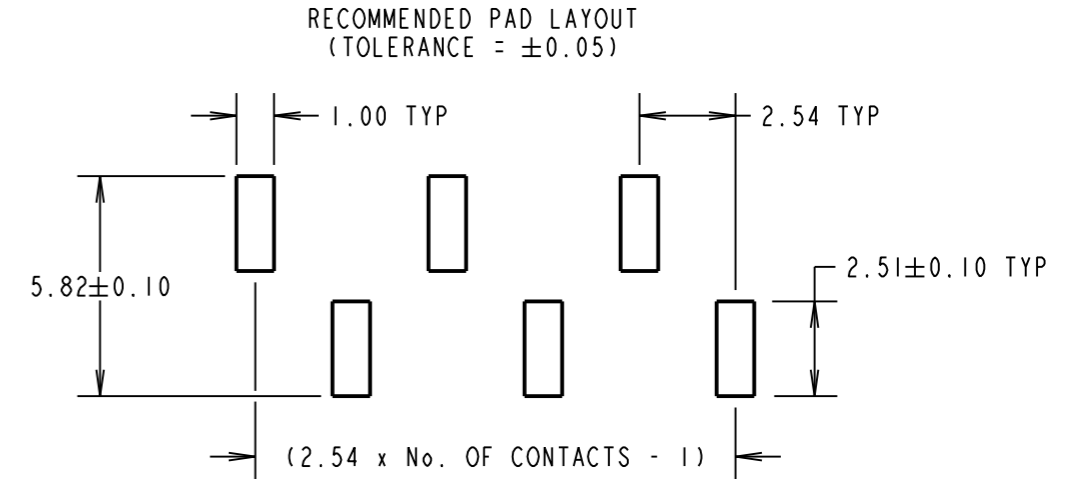
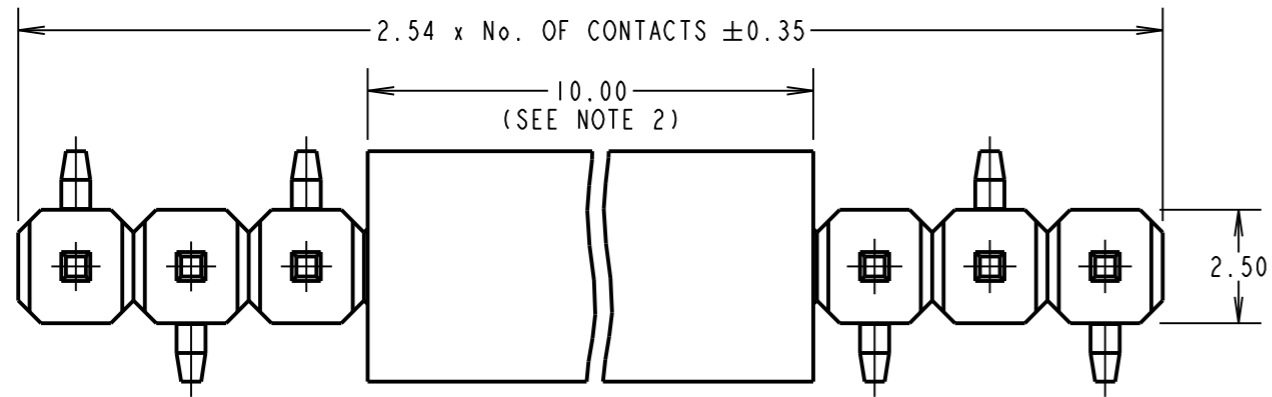
IF IN DOUBT - ASK

©

NOT TO SCALE

THIRD ANGLE PROJECTION

ALL DIMENSIONS IN mm



SPECIFICATION:
MATERIAL:
 MOULDING = NYLON 6T UL94V-0, BLACK
 CONTACT = BRASS
FINISH:
 42 = SELECTIVE GOLD ON CONTACT AREA,
 100% TIN ON TAILS
 46 = 100% TIN
ELECTRICAL:
 CURRENT RATING = 3A MAX
 CONTACT RESISTANCE = 20mΩ MAX
 INSULATION RESISTANCE = 1,000MΩ MIN
 VOLTAGE RATING = 750V AC/DC
 WITHSTANDING VOLTAGE = 500V AC FOR ONE MIN
MECHANICAL:
 DURABILITY = 50 OPERATIONS (TIN), 300 OPERATIONS (GOLD)
ENVIRONMENTAL:
 TEMPERATURE RANGE = -40°C TO +105°C
PACKING:
 BAG
 FOR COMPLETE SPECIFICATION, SEE COMPONENT SPECIFICATION
 COOIXX (LATEST ISSUE)

ORDER CODE:
M20-877XXXXP
 No. OF CONTACTS: _____
 02 TO 36
 FINISH: _____
 42 = SELECTIVE GOLD + 100% TIN
 46 = 100% TIN

SB	7	05.03.15	12764
NAME	ISS.	DATE	C/NOTE
APPROVED:		S.BENNETT	
CHECKED:		M.PLESTED	
DRAWN:		J. KEIR	
CUSTOMER REF.:			
ASSEMBLY DRG:			

- NOTES:**
- SEE DRAWING M20-877XXXXR FOR TAPE AND REELED VERSION, M20-877XXXX FOR STANDARD PRODUCT.
 - FOR 4 CONTACTS AND LESS, CAP LENGTH = 6.00mm.
 - ALL TOLERANCES ARE ±0.15mm UNLESS OTHERWISE STATED.

HARWIN
 www.harwin.com
 technical@harwin.com

THIS DRAWING AND ANY INFORMATION OR DESCRIPTIVE MATTER SET OUT HEREON ARE CONFIDENTIAL AND COPYRIGHT PROPERTY OF THE HARWIN GROUP AND MUST NOT BE DISCLOSED, LOANED, COPIED OR USED FOR MANUFACTURING, TENDERING OR FOR ANY OTHER PURPOSE WITHOUT THEIR WRITTEN PERMISSION.

TOLERANCES
 X = ±1mm
 X.X = ±0.50mm
 X.XX = ±0.10mm
 X.XXX = ±0.01mm
 ANGLES = ±5°
 UNLESS STATED

MATERIAL:
 SEE ABOVE
FINISH:
 SEE ABOVE
S/AREA:
 mm²

TITLE: 2.54mm PITCH SIL SMT PIN HEADER ASSEMBLY WITH PICK & PLACE CAP
DRAWING NUMBER:
M20-877XXXXP
 SHT 2 OF 2