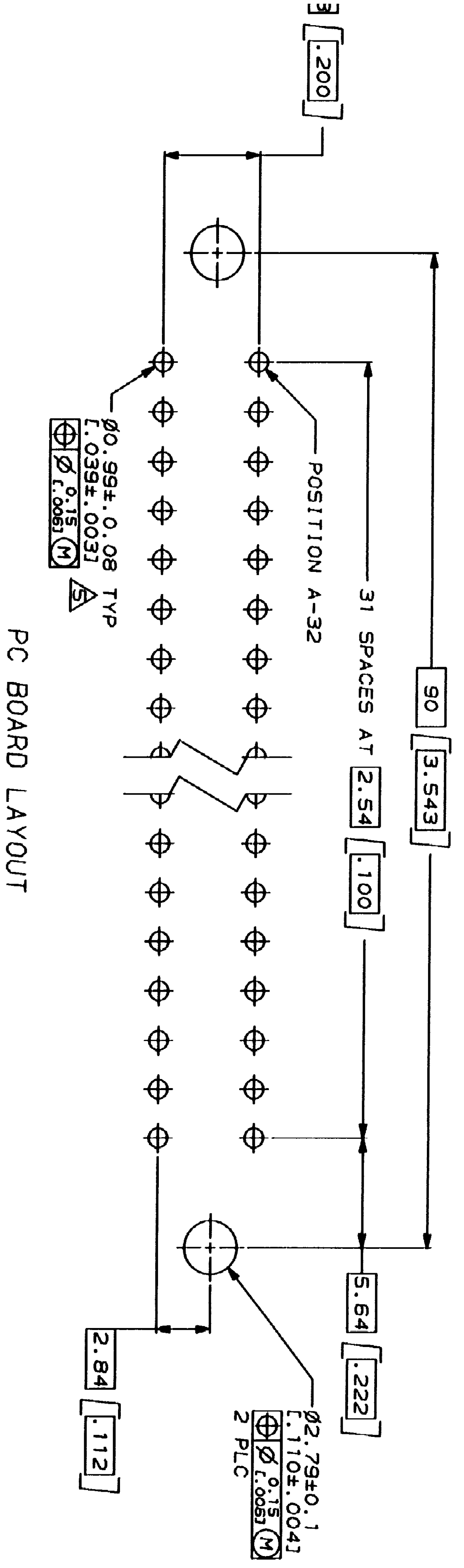
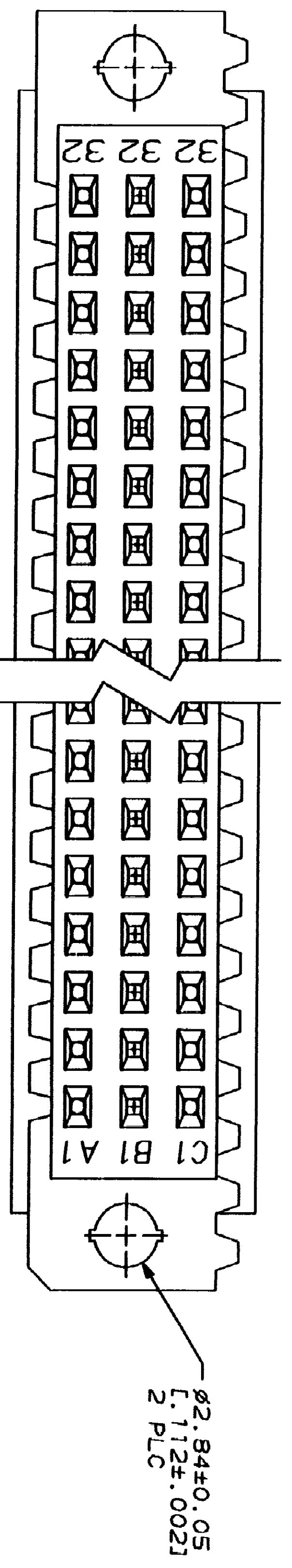
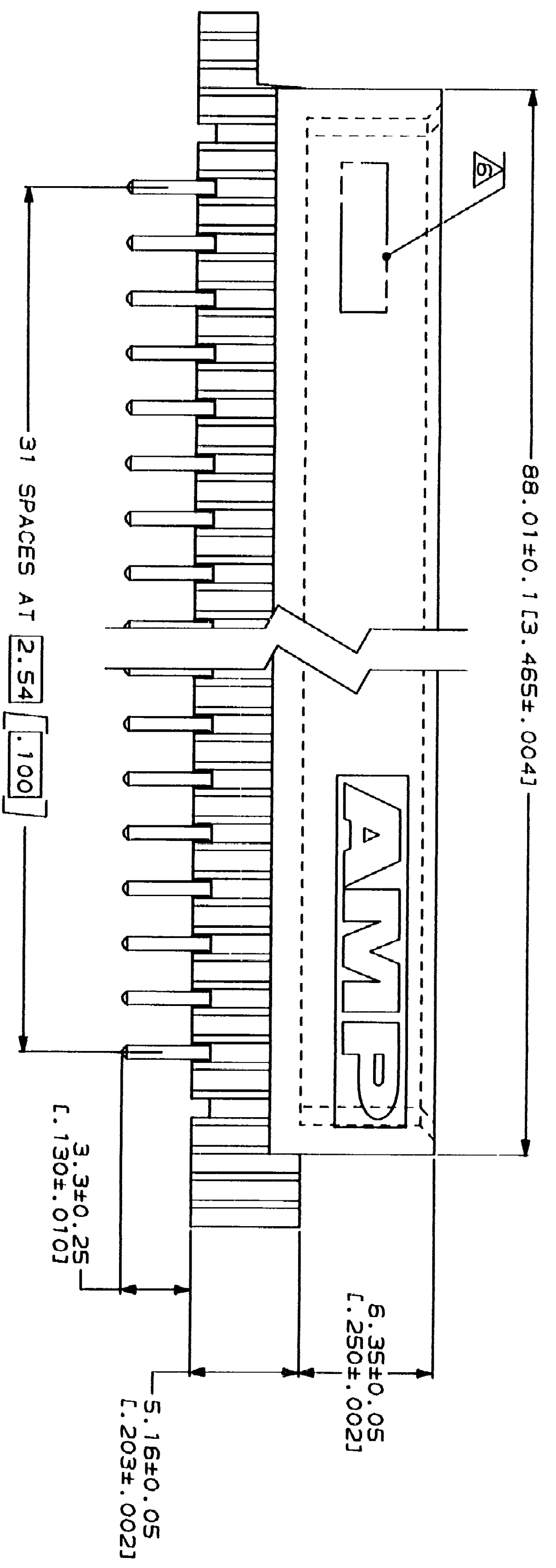
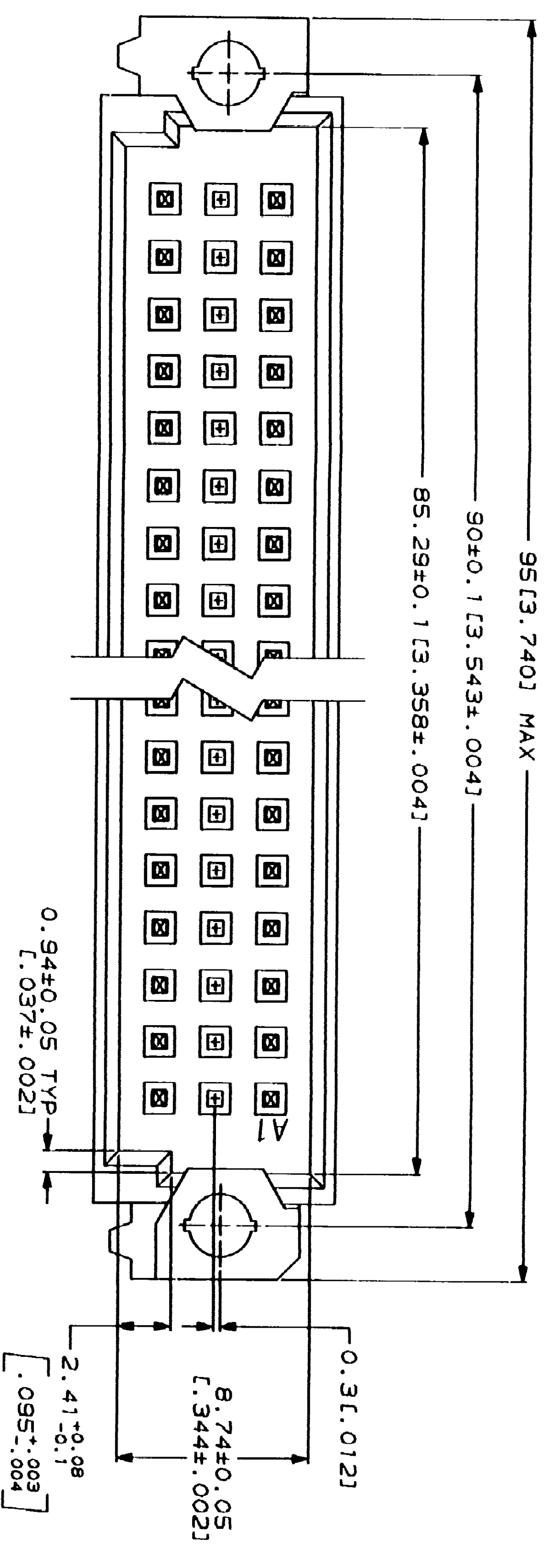


DATE	APPD
11/14/91	LSB
12/26/91	LSB
6/2/92	LSB
11/28/93	LSB
3/25/94	LSB

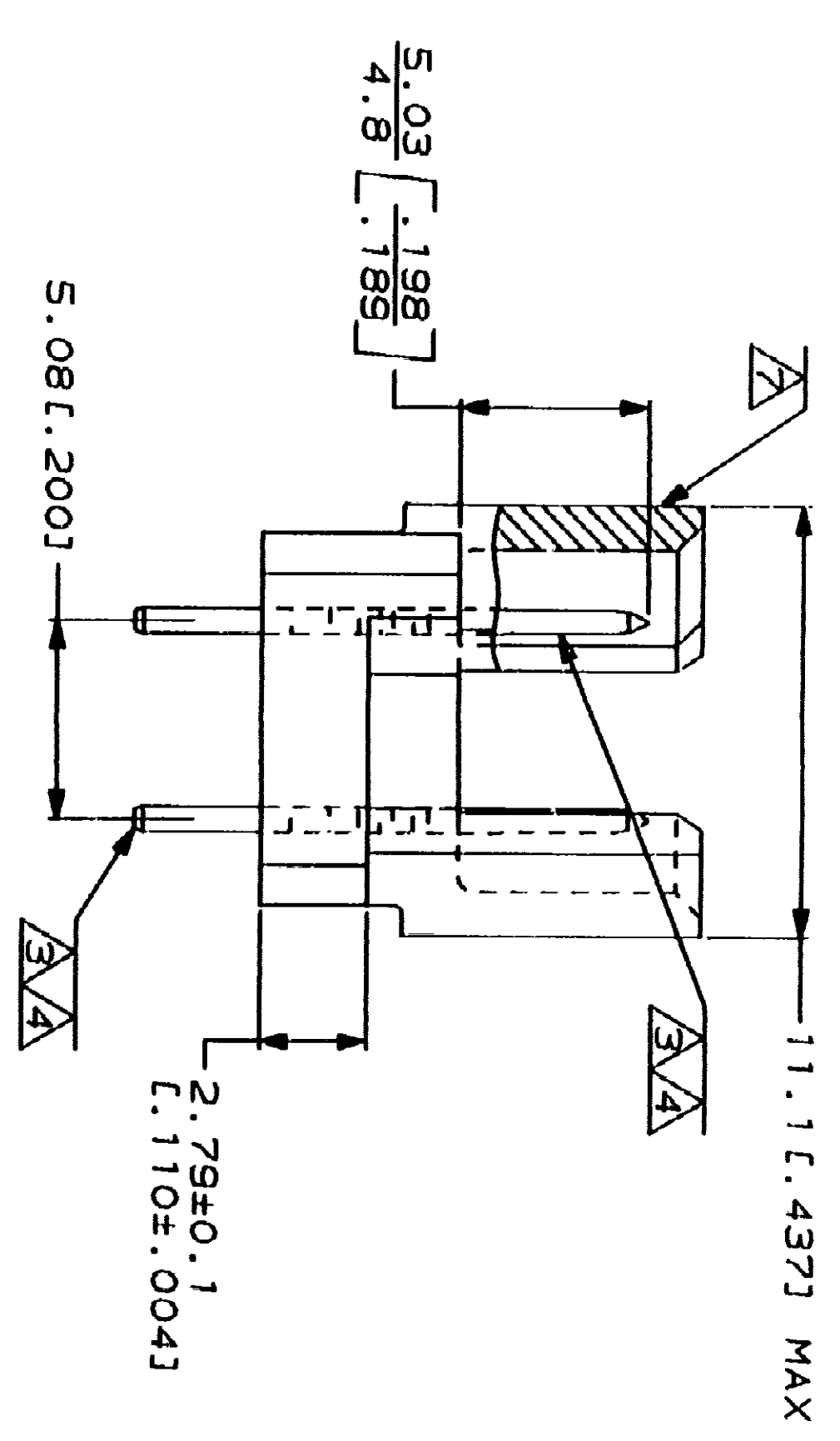
PROJECTION  
 RELEASED FOR PUBLICATION  
 BY AMP CORPORATION. ALL INFORMATION BEING FURNISHED.

7 6 5 4 3 2

LOC	QTY	REV	REV	DESCRIPTION
AD	25	0	DRAWN	
		B	ECN AD5586	AD55840
		C	ECN AD5876	
		D	ECN AD5871	
		E	ECN AD6256	
		F	EC 0010-1559-93	
		G	EC 0010-0436-94	



- △ HOUSING MATERIAL: GLASS-FILLED POLYESTER. COLOR: GRAY.
- △ POST MATERIAL: BRASS.
- △ POST FINISH: DIN 41612 CLASS 3 IN CONTACT AREA.
- △ TIN-LEAD PLATE ON POSTS.
- △ POST FINISH: DIN 41612 CLASS 2 IN CONTACT AREA.
- △ TIN-LEAD PLATE ON POSTS.
- △ RECOMMENDED HOLE SIZE FOR MANUAL APPLICATION OF CONNECTOR ONTO PC BOARD.
- △ [PART NUMBER, DATE CODE] MARKED THIS APPROXIMATE AREA.
- △ MARKING ON THIS SIDE.



SUPERSEDED BY 650933-5

REV	DATE	BY	DESCRIPTION
A	1-32		
		X	
		-	
		X	
			64

DO NOT SCALE PRINT.	OR	DATE	NAME
UNLESS SPECIFIED (DIMENSIONS IN MILLIMETERS)	L. BRINER	3/18/91	AMP
1 P.L.C. DEC ± .0131 (0.0051)	D.C. RUBENDALL	3/26/91	AMP
2 P.L.C. DEC ± 0.131 (0.0051)	D.C. RUBENDALL	3/26/91	AMP
MATERIAL HSG	K.R. PARTNER	3/26/91	AMP
POST			
FINISH			
POST			

SIZE	CAGE CODE	DRAWING NO
D	00779	650
SCALE	5:1	SHEET

CUSTOMER

REV	DATE	BY	DESCRIPTION
1	1-32		
2		X	
3		-	
4		X	
5			64

RAWING