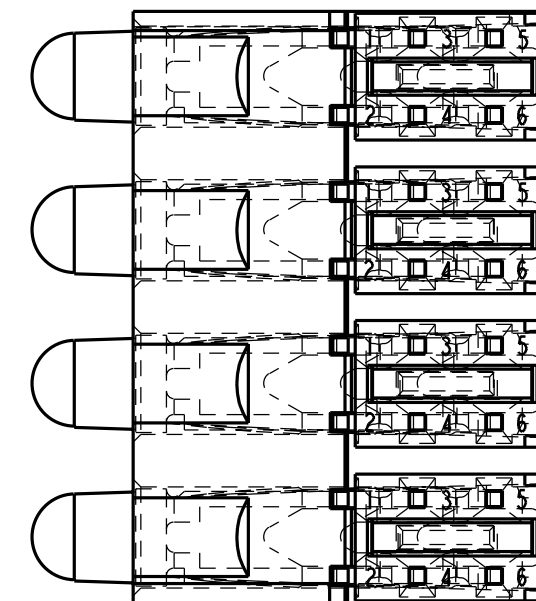
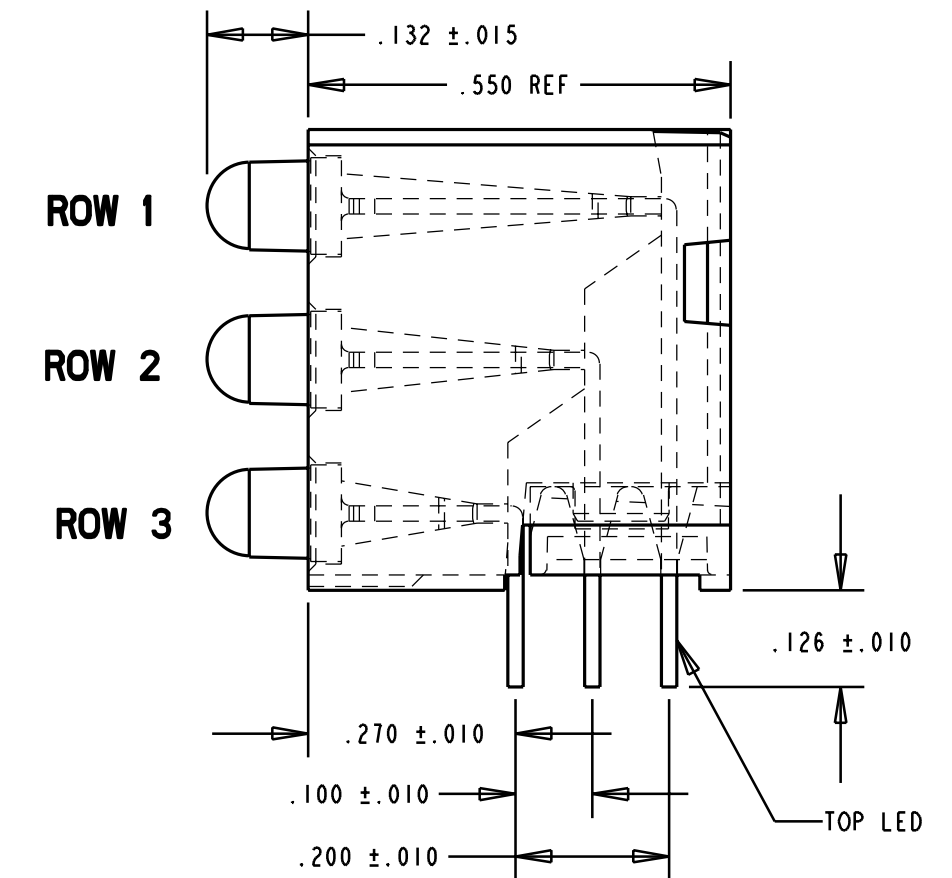
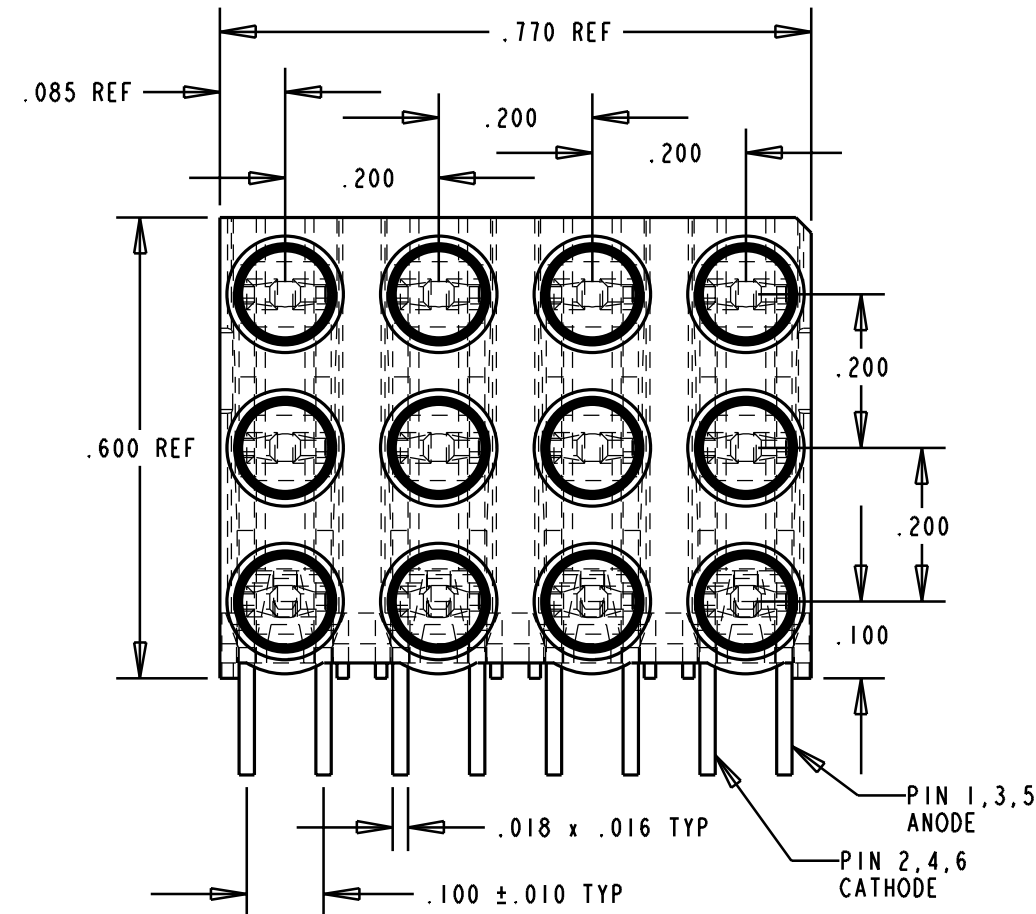
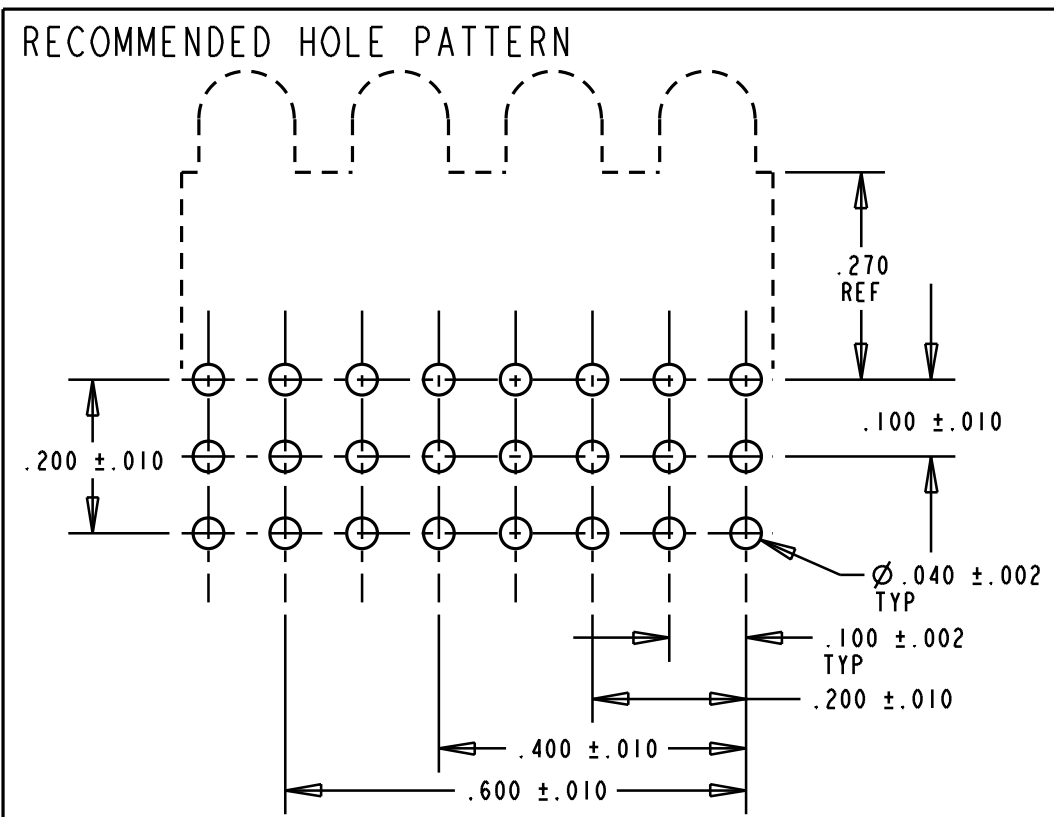


REV.	ECN NO.	REVISIONS	DRN.	CKD.	APP.	DATE
A		NEW RELEASE	AV			

PART NUMBER	ROW 1	ROW 2	ROW 3
564-0140-1114	RED	RED	RED
564-0140-2224	GREEN	GREEN	GREEN
564-0140-3334	YELLOW	YELLOW	YELLOW

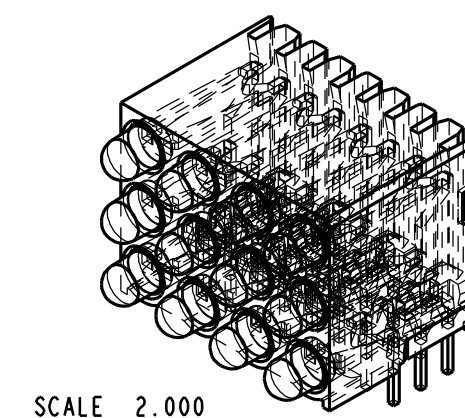
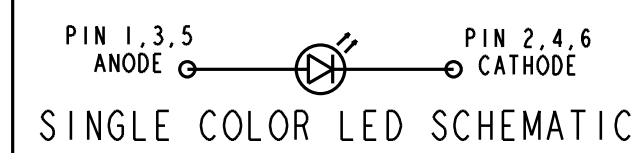


OPERATING CHARACTERISTICS AT 25°C AMBIENT						
CHARACTERISTICS	COLOR	MIN	TYP	MAX	UNITS	TEST CONDITIONS
LUMINOUS INTENSITY	RED	7.4	10.0		mcd	I <sub>F</sub> = 10 mA
	GREEN	4.7	12.6			
	YELLOW	7.4	10.0			
FORWARD VOLTAGE	RED		2.0	2.8	V	I <sub>F</sub> = 20 mA
	GREEN		2.1	2.8		
	YELLOW		2.1	2.8		
REVERSE CURRENT	R-G-Y			100	μA	V <sub>R</sub> = 5 V
PEAK WAVELENGTH	RED		635		nm	
	GREEN		565			
	YELLOW		585			
VIEWING ANGLE	R-G-Y		60		Degree	



NOTES:

- LEADS TO FIT INTO HOLES SPACED AS PER HOLE PATTERN
- LEADS TO BE FREE OF DEFORMATION AFTER BENDING AND CUTTING
- LED LEAD DIMENSIONS SHOWN ARE MEASURED AT HOUSING EXIT
- PACKAGING =  
BLOCKS PLACED IN CLEAR ANTISTATIC TRAY  
(50 BLOCKS/TRAY = 8 TRAYS/BOX = 400 BLOCKS/BOX)
- WHEN A ZERO APPEARS IN THE 3 DIGITS, PRIOR TO THE LAST, OF THE PART NUMBER THIS MEANS NO LAMP REQUIRED IN THAT ROW
- DIALIGHT PART NUMBER = 564-0140-xx4



THIS DRAWING AND THE CONTENTS HEREIN ARE CONFIDENTIAL AND THE SOLE PROPERTY OF DIALIGHT. REPRODUCTION OF THIS DRAWING OR CONSTRUCTION OF ANY PARTS WITHIN THIS DRAWING ARE FORBIDDEN WITHOUT THE WRITTEN CONSENT OF DIALIGHT.		
SCALE 4:1	DRAWING NUMBER	REV
ALL DIM'S IN: INCHES	C-16776	A
TOLERANCES: UNLESS OTHERWISE SPECIFIED	TITLE CBI BLOCK ARRAY (3X4)	
FRACTIONS: ±1/64	MATERIAL	
DECIMALS (.XX): ±.020	Dialight	
DECIMALS (.XXX): ±.015	1913 ATLANTIC AVE.	
DECIMALS (.XXXX): ±.010	MANASQUAN, N.J. 08736	
ANGLES: ±3°	FSCM 83330	
FINISH:	SHEET	OF
	FAMILY TABLES:	