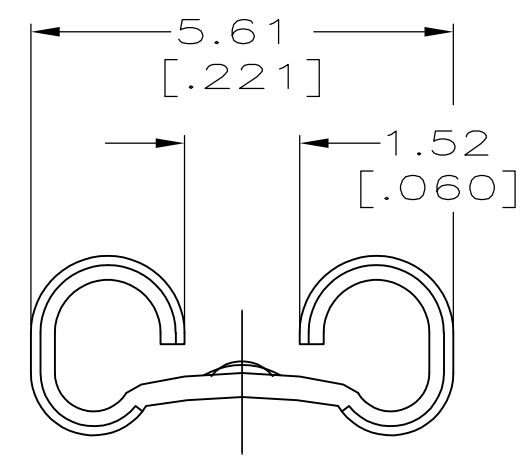
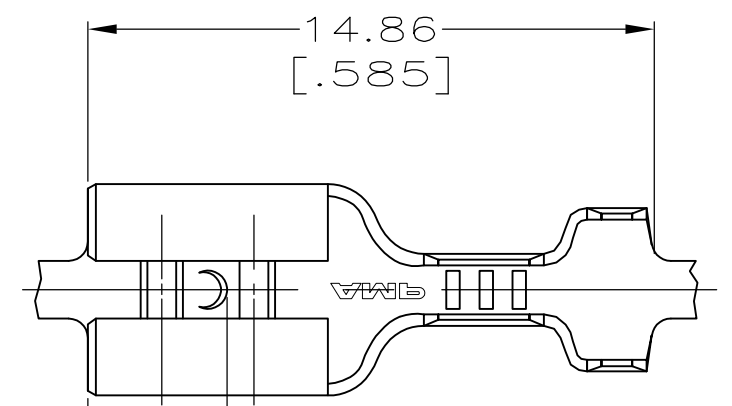


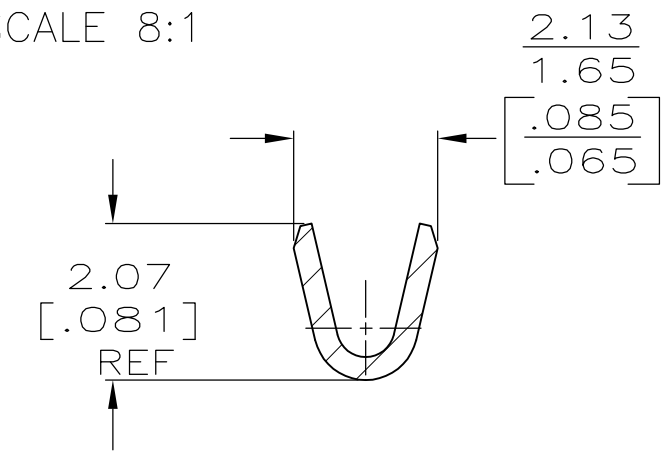
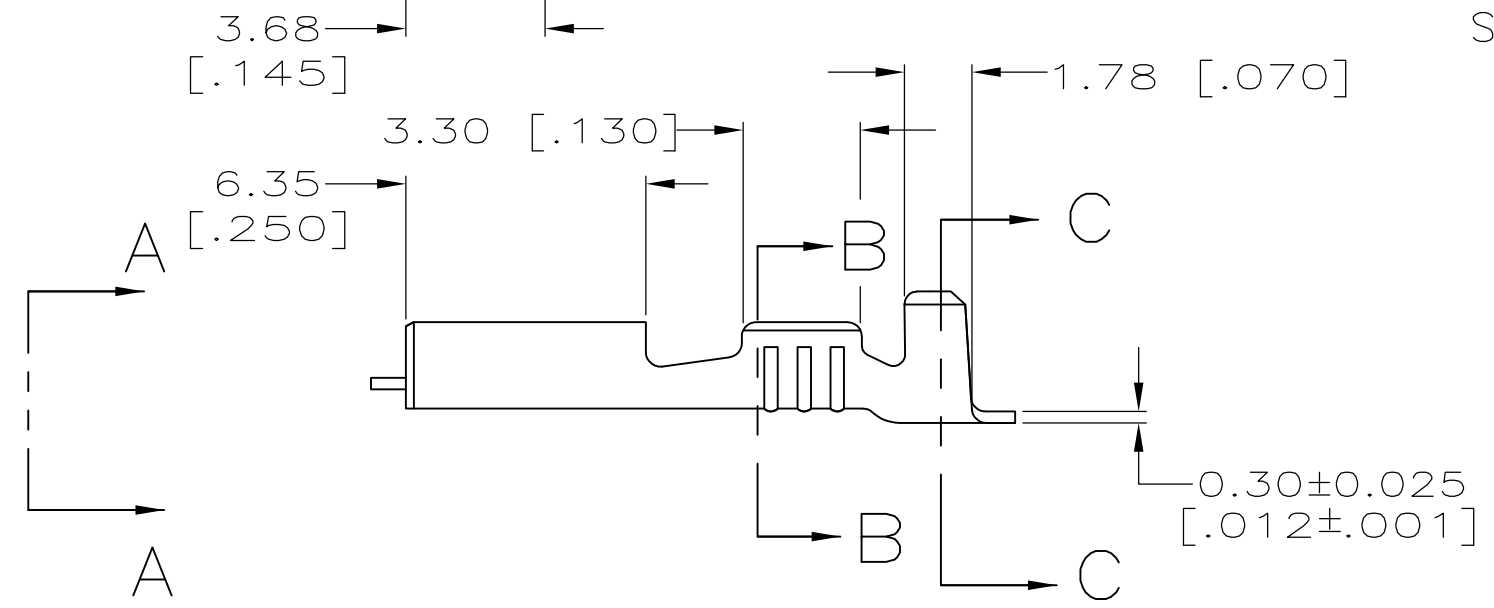
THIS DRAWING IS UNPUBLISHED. RELEASED FOR PUBLICATION
 © COPYRIGHT - By - ALL RIGHTS RESERVED.

LOC	DIST	REVISIONS			
P	LTR	DESCRIPTION	DATE	DWN	APVD
AF	50	C	REVISED PER ECR-12-013518	26NOV2012	KH PD

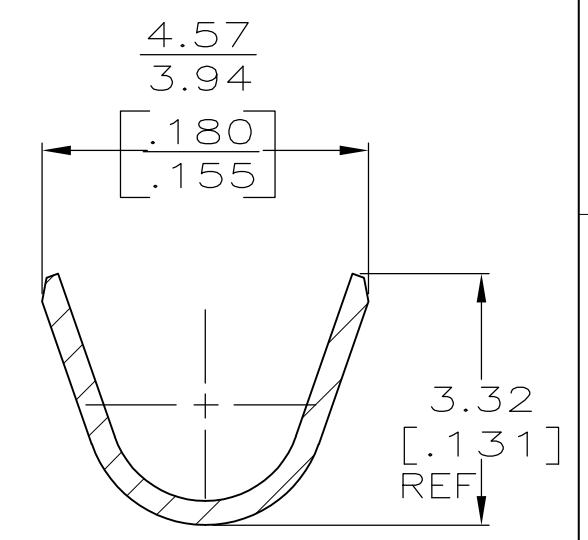
- CONTINUOUS STRIP ON REELS.
- MATING TAB THK TO BE 0.53 ± 0.025 [.021 ± .001].
- WIRE SIZE IS [#24-#20] AWG.
- INSULATION RANGE IS 1.52-2.79 [.060-.110] DIA.



VIEW A-A
SCALE 8:1



SECTION B-B
SCALE 10:1



SECTION C-C
SCALE 10:1

1217129-1
PART NO

THIS DRAWING IS A CONTROLLED DOCUMENT.		DWN	JR RUTH	14JUL99	TE Connectivity RECEPTACLE, FASTON™ 4.75 [.187] SERIES						
DIMENSIONS: mm [INCHES]		CHK	MS FEHER	14JUL99				NAME			
TOLERANCES UNLESS OTHERWISE SPECIFIED:		APVD	S HEADER	14JUL99				PRODUCT SPEC			
0 PLC ± - 1 PLC ± - 2 PLC ± - 3 PLC ± 0.25 [.010] 4 PLC ± - ANGLES ± -		APPLICATION SPEC		SIZE							
MATERIAL	BRASS	FINISH	TIN	WEIGHT	-	CAGE CODE	A300779	DRAWING NO	C-1217129	RESTRICTED TO	-
CUSTOMER DRAWING				SCALE	5:1	SHEET	1 OF 1	REV	C		