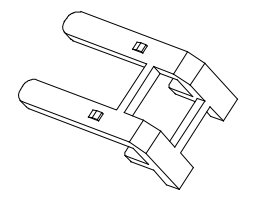
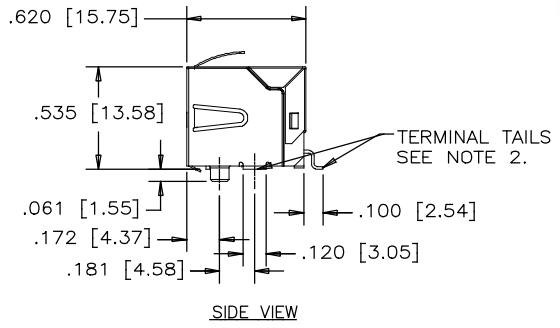
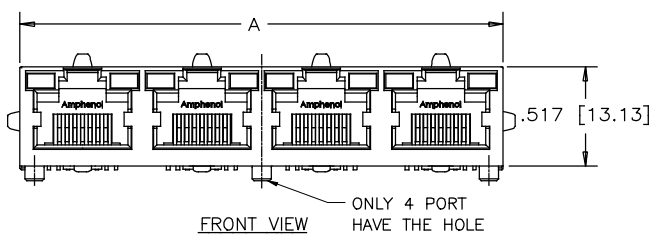
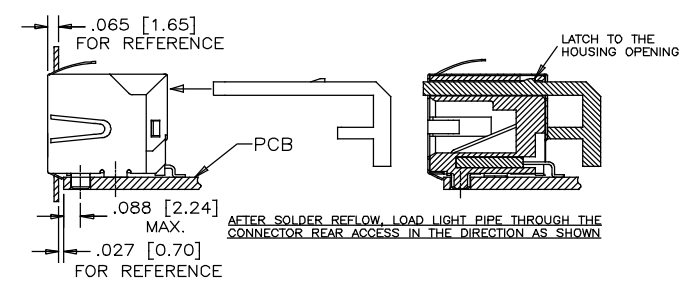
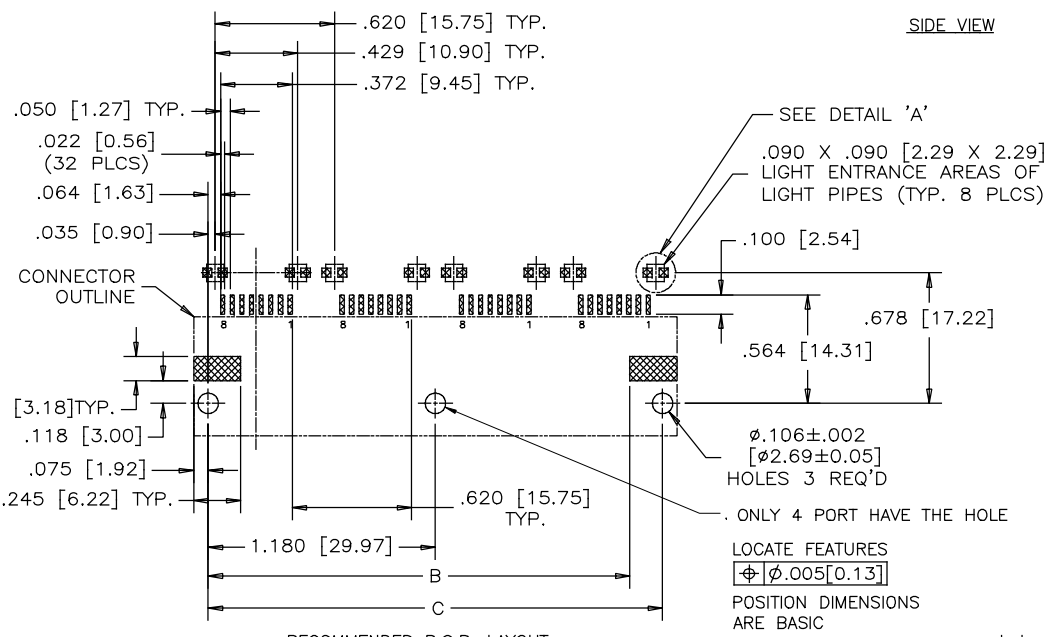




REVISIONS				
SYM	ZONE	DESCRIPTION	DATE	APPRD.
A		PROPOSAL	SEPT 22/08	L.CHAN
B		UPDATE DRAWING	MAR 12/15	L.CHAN
C		CORRECT DIMENSION	JAN 14/16	L.CHAN



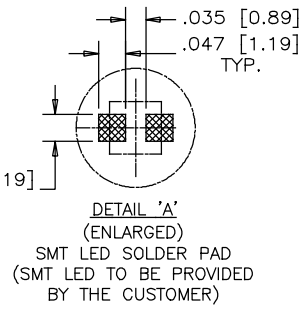
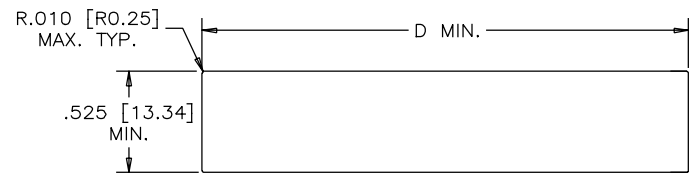
LIGHT PIPE RJ SSE-2485-01
 LIGHT PIPE PART NUMBER
 RJ SSE248501 MUST
 BE ORDERED SEPARATELY



- NOTE:
 1. MATERIALS:
 PLASTIC HOUSING: HIGH TEMPERATURE THERMOPLASTIC
 FLAMMABILITY RATING UL 94V-0
 COLOR: BLACK
- CONTACTS: PHOSPHOR BRONZE
 PLATING: 20 μ" [0.51 MICRONS]
 MIN. GOLD ON MATING SURFACES.
 50 μ" [1.27 MICRONS]
 MIN. NICKEL UNDERPLATE.
 100 μ" [2.54 MICRONS]
 MIN. PURE TIN ON CONTACT TAILS.
- SHIELD: COPPER ALLOY PLATED NICKEL
2. COPLANARITY SPECIFICATION:
 WITH THE MODULAR JACK SITTING ON A LEVEL SURFACE,
 THE MAXIMUM GAP BETWEEN BOTH SHIELD NAILS AND ALL
 TERMINAL TAILS IS .004 [0.10].

AMPHENOL PART NUMBER: RJ SSE-5382-XX

PORT NUMBER
 BLANK-1 PORT
 02-2 PORT
 04-4 PORT



NUMBER OF PORT	DIM A	DIM B	DIM C	DIM D
1 PORT	.650[16.51]	.330[8.38]	.500[12.70]	.665[16.89]
2 PORT	1.27[32.26]	.780[19.81]	1.120[28.45]	1.285[32.64]
4 PORT	2.510[63.75]	2.190[55.64]	2.360[59.94]	2.525[64.14]

THIS DOCUMENT CONTAINS PROPRIETARY INFORMATION AND SUCH INFORMATION MAY NOT BE DISCLOSED TO OTHERS FOR ANY PURPOSE OR USED FOR MANUFACTURING PURPOSES WITHOUT WRITTEN PERMISSION FROM AMPHENOL CANADA CORP.

DRAWN	J.OUYANG	DATE	SEPT 22/08
DESIGNED	MT.CHAN	DATE	SEPT 22/08
CHECKED	L.CHAN	DATE	SEPT 22/08
I. E. APPRD.			
Q. A. APPRD.			
DWG. APPRD.			
ENG. REL. NO.			
REF.	EAR #13336		
DIMENSIONS ARE IN		CODE ID. NO.	
INCHES [mm]		03554	

Amphenol Canada Corp.			
TITLE SURFACE MOUNT JACK, 8 POSITION, 8 CONTACTS, SHIELDED, WITH LIGHT PIPES HOLE, LIGHT PIPE ORDERED SEPARATELY- RoHS COMPLIANT			
DWG	DRAWING NO.	REV.	
C	P-RJSSE-5382-XX	C	
SCALE	2:1	WT.	SURF. SHEET 1 OF 1