

4

3

2

1


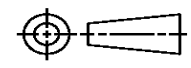
THIS DRAWING IS UNPUBLISHED. RELEASED FOR PUBLICATION
 © COPYRIGHT ALL RIGHTS RESERVED.

LOC	DIST	REVISIONS			
P	LTR	DESCRIPTION	DATE	DWN	APVD
	B1	ECR-16-009822	14JUL2016	GK	SD

REPLACED BY OCEAN STYLE APPLICATOR PART NUMBER 2836250-1

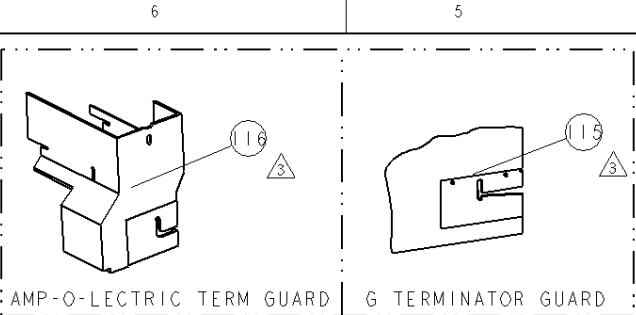
FOR REPLACEMENT PARTS FOR APPLICATOR 1852168
 REFER TO ADDITIONAL PAGE(S). SPARE PARTS KIT (IF LISTED)
 WILL REMAIN AVAILABLE.

THE REPLACEMENT OCEAN STYLE APPLICATOR HAS THE
 SAME TERMINATOR/PRESS INTERFACE AS APPLICATOR
 1852168

THIS DRAWING IS A CONTROLLED DOCUMENT.		DWN	GOPALAKRISHNA HV		 TE Connectivity
DIMENSIONS:		CHK	GOPALAKRISHNA HV		
		TOLERANCES UNLESS OTHERWISE SPECIFIED:		NAME	
0 PLC ± 1 PLC ± 2 PLC ± 3 PLC ± 4 PLC ± ANGLES ±		APVD		SIDE FEED HDM APPLICATOR	
MATERIAL		FINISH		PRODUCT SPEC	
				APPLICATION SPEC	
		WEIGHT		SIZE	RESTRICTED TO
				A3	
				CAGE CODE	DRAWING NO
					©- 1852168
		CUSTOMER DRAWING		SCALE	SHEET 1 OF 2
					REV B1

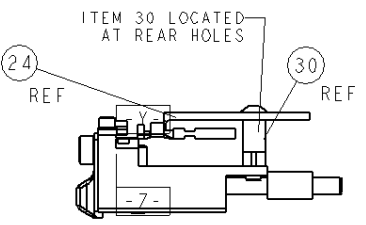
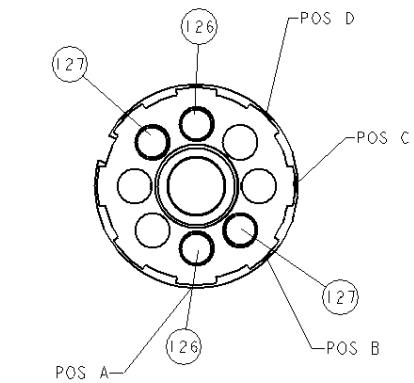
PART NUMBER	REV	FIRST USED	POWER UNIT	FEED TYPE	DESCRIPTION
1852168-1	B	122500-1	LEADMAKER	POST FEED	CUTS CARRIER
1852168-2	B	565435-5	BENCH MODEL K	PRE FEED	CUTS CARRIER
1852168-3	B	354500-1	BENCH MODEL G	PRE FEED	CUTS CARRIER
1852168-6	B	122500-1	LEADMAKER	POST FEED	CONTINUOUS CARRIER
7-1852168-7	B	-	-	-	SPARE PARTS

- RECOMMENDED SPARE PARTS
- GREASE LIGHTLY
- GUARD MUST BE IN PLACE WHEN OPERATING APPLICATOR IN A BENCH MACHINE

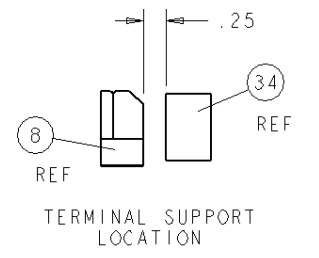


TE PN	MANF PN	FORD TERMINAL - FORD CRIMP SPECS
1572875-1	F2UB-14487-AA	
	33230-0002	
		CRIMP HEIGHT
		WIRE SIZE
		CRIMP SIZE
		TYPE
		RANGE
		WIRE
		INSUL
WIRE STRIP LENGTH	TERM APPL SPEC	FEED
4.5-5.0mm	NONE	9.73mm
		APPL INSTRUCTIONS
		408-8040
		SET UP GAGE
		458637-1

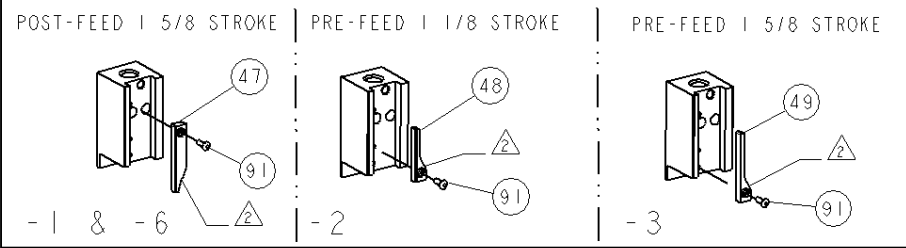
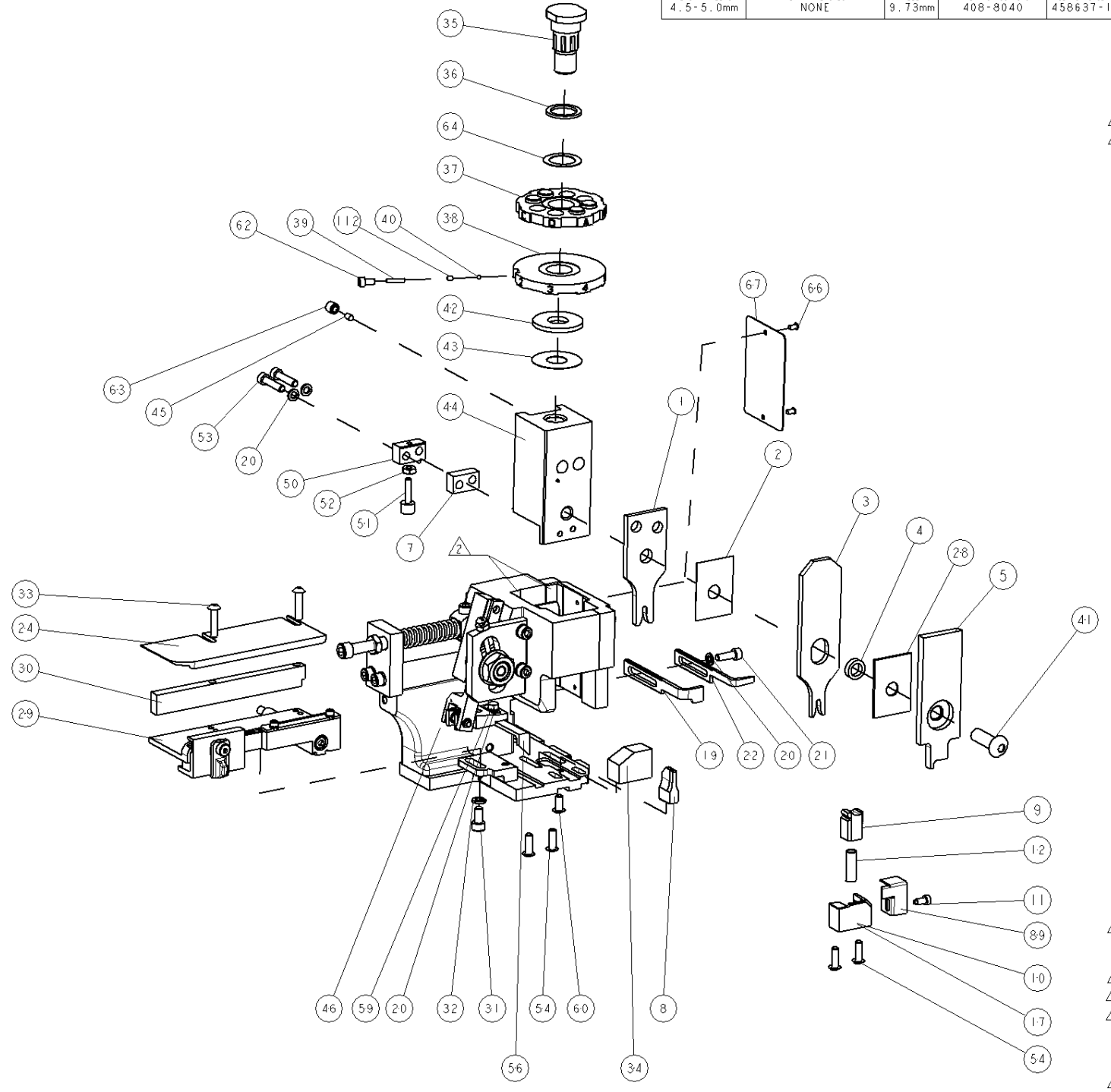
LOC	DIST	REV	DATE	BY	APP
A	66	1			
		2			
		3			
		4			
		5			
		6			
		7			
		8			
		9			
		10			
		11			
		12			
		13			
		14			
		15			
		16			
		17			
		18			
		19			
		20			
		21			
		22			
		23			
		24			
		25			
		26			
		27			
		28			
		29			
		30			
		31			
		32			
		33			
		34			
		35			
		36			
		37			
		38			
		39			
		40			
		41			
		42			
		43			
		44			
		45			
		46			
		47			
		48			
		49			
		50			
		51			
		52			
		53			
		54			
		55			
		56			
		57			
		58			
		59			
		60			
		61			
		62			
		63			
		64			
		65			
		66			
		67			
		68			
		69			
		70			
		71			
		72			
		73			
		74			
		75			
		76			
		77			
		78			
		79			
		80			
		81			
		82			
		83			
		84			
		85			
		86			
		87			
		88			
		89			
		90			
		91			
		92			
		93			
		94			
		95			
		96			
		97			
		98			
		99			
		100			



FEED TRACK POSITION



TERMINAL SUPPORT LOCATION



AMP 4805 REV 31MAR2005

REV	DATE	DESCRIPTION	BY	CHKD	ITEM NO
-	2	2	2	2	4-354779-1
-	2	2	2	2	2-354779-8
-	-	-	REF	-	455749-1
-	-	-	REF	-	679532-1
-	1	1	1	1	690603-1
-	1	1	1	1	1-21002-7
-	1	1	1	1	318563-1
-	1	1	1	1	4088040
-	1	1	1	1	217238-1
-	1	1	1	1	461264-1
-	2	2	2	2	21017-2
-	1	1	1	1	986950-1
-	1	1	1	1	21009-2
-	1	1	1	1	23030-1
-	1	1	1	1	22733-8
-	1	1	1	1	2-22603-0
-	1	1	1	1	458537-2
-	4	4	4	4	2-21002-2
-	2	2	2	2	2-21000-9
-	1	1	1	1	21018-5
-	1	1	1	1	811242-2
-	1	1	1	1	690753-1
-	-	-	-	-	690602-6
-	-	-	-	-	690602-5
-	1	1	1	1	690501-4
-	1	1	1	1	459456-1
-	1	1	1	1	690191-1
-	1	1	1	1	455673-1
-	1	1	1	1	690125-1
-	1	1	1	1	1-690124-3
-	1	1	1	1	7-21002-9
-	1	1	1	1	23241-6
-	1	1	1	1	690170-1
-	1	1	1	1	690142-3
-	1	1	1	1	354777-1
-	1	1	1	1	22480-5
-	1	1	1	1	690212-1
-	1	1	1	1	2-690786-3
-	2	2	2	2	2-21002-4
-	1	1	1	1	21024-5
-	1	1	1	1	3-21000-4
-	1	1	1	1	1320908-8
-	1	1	1	1	1633091-2
-	1	1	1	1	1-455888-0
-	1	1	1	1	1320928-3
-	1	1	1	1	690472-2
-	1	1	1	1	2-21000-7
-	4	4	4	4	21024-4
-	-	-	-	-	691353-1
-	1	1	1	1	679625-2
-	1	1	1	1	5-22280-0
-	1	1	1	1	690461-2
-	-	-	-	-	1-690459-0
-	1	1	1	1	462006-6
-	1	1	1	1	3-1633116-9
-	1	1	1	1	1-240641-5
-	1	1	1	1	2-455889-0
-	1	1	1	1	3-238011-1
-	1	1	1	1	3-1633569-5
-	1	1	1	1	455888-3
-	1	1	1	1	6-1673600-3

DIMENSIONS INCHES	TOLERANCES UNLESS OTHERWISE SPECIFIED:	DRAWN	DATE
0.0005	±.001	L. GROSS	17NOV2005
0.001	±.002	R. KNEPPER	17NOV2005
0.002	±.005	G. BAILEY	17NOV2005
0.005	±.010		
0.010	±.020		
0.020	±.050		
0.050	±.100		
0.100	±.200		
0.200	±.500		
0.500	±1.000		
1.000	±2.000		
2.000	±4.000		
5.000	±8.000		
10.000	±16.000		
20.000	±32.000		
50.000	±80.000		
100.000	±160.000		
200.000	±320.000		
500.000	±640.000		
1000.000	±1280.000		

CUSTOMER VIEWABLE ASSEMBLY