

LED Reflector Holder round with 5 mm LED



Description

- Panel Mounting
- Illumination with 5 mm LED
- available with or without series resistor
- Housing chrome plated or black dull
- Solder terminals

Weblinks

[html-datasheet](#), [CE declaration of conformity](#), [RoHS](#), [CHINA-RoHS](#), [CAD-Drawings](#), [Detailed request for product](#)

Technical Data

Electrical Data

Current consumption	10 mA with Built-in Multiplier
LED	Technical data LED see separate table

Climatical Data

Ambient temperature	-25 to 55 °C
Storage Temperature	-55 to 100 °C
Protection Class	IP 67

Soldering Data

Solderability	235 °C / 2 sec acc. to IEC 60068-2-20 , Test Ta, method 1
Resistance to Soldering Heat	350 °C / 5 sec acc. to IEC 60068-2-20 , Test Tb, method 1B

Material

Housings	Brass chrome-plated
Solder terminals	Tin-Plated Copper
Nut	Nickel-Plated Brass
Sealing	Nitril rubber

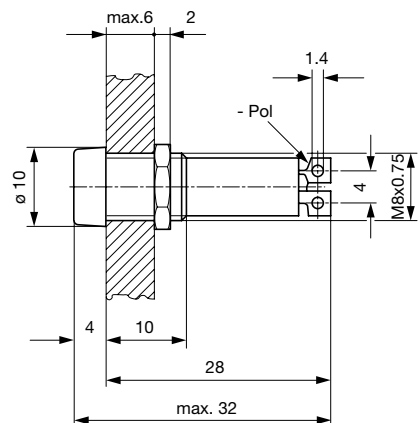
Detailed information on product approvals, code requirements, usage instructions and detailed test conditions can be looked up in [General Product Information](#)

Technical Data LED

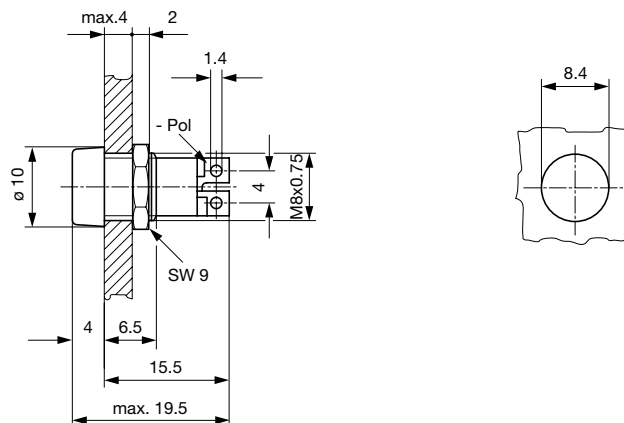
	LED red	LED green	LED yellow
Let-through current DC I_F max.	30 mA	30 mA	30 mA
Power Loss P_V max.	100 mW	100 mW	100 mW
Forward voltage	typ. 2.0 V; max. 3.0 V	typ. 2.4 V; max. 3.0 V	typ. 2.4 V; max. 3.0 V
Luminous intensity	min. 6.3 mcd; typ. 10 mcd	min. 6.3 mcd; typ. 10 mcd	min. 6.3 mcd; typ. 12 mcd
Viewing angle	60°	60°	60°
Peak wave length	typ. 635 nm	typ. 565 nm	typ. 585 nm
Reverse voltage	typ. 15 V	typ. 15 V	typ. 15 V

Dimension

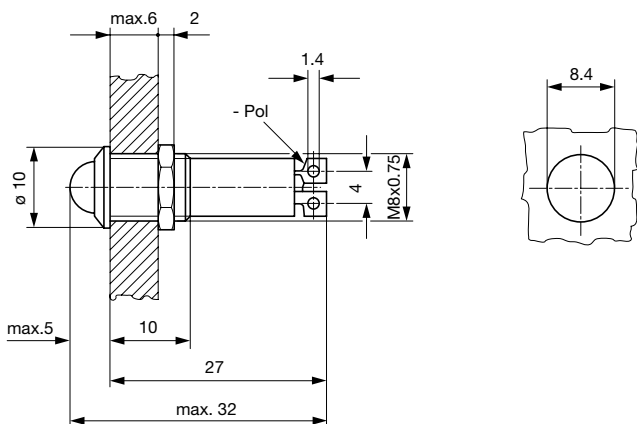
LFM with resistor



LFM without resistor



LFM with exposed LED and resistor



All Variants

Type	Multiplier	Housings	Supply Voltage	Color LED	Order Number
Internal Reflector	with	chrome-plated	24VDC	red	0035.0607
Internal Reflector	with	chrome-plated	24VDC	green	0035.0608
Internal Reflector	with	chrome-plated	24VDC	yellow	0035.0609
Outside Reflector	with	black dull	12V	red	0035.0664
Outside Reflector	with	black dull	12V	green	0035.0665
Outside Reflector	with	black dull	12V	yellow	0035.0666
Outside Reflector	with	black dull	24V	red	0035.0667
Outside Reflector	with	black dull	24V	green	0035.0668
Outside Reflector	with	black dull	24V	yellow	0035.0669
Internal Reflector	without	black dull	24VDC	red	0035.0726
Internal Reflector	without	black dull	24VDC	green	0035.0727
Internal Reflector	without	black dull	24VDC	yellow	0035.0728

■ Most Popular.

Availability for all products can be searched real-time: <http://www.schurter.com/en/Stock-Check/Stock-Check-SCHURTER>