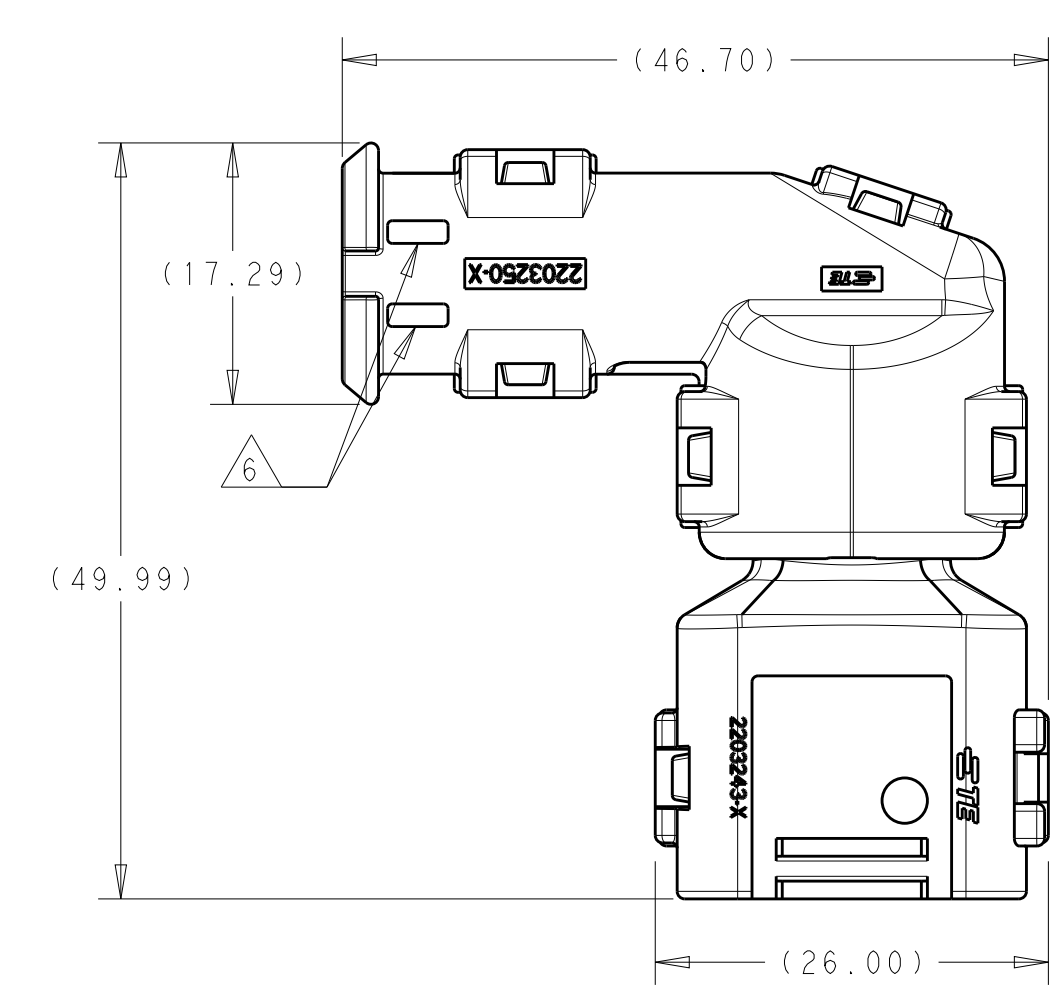
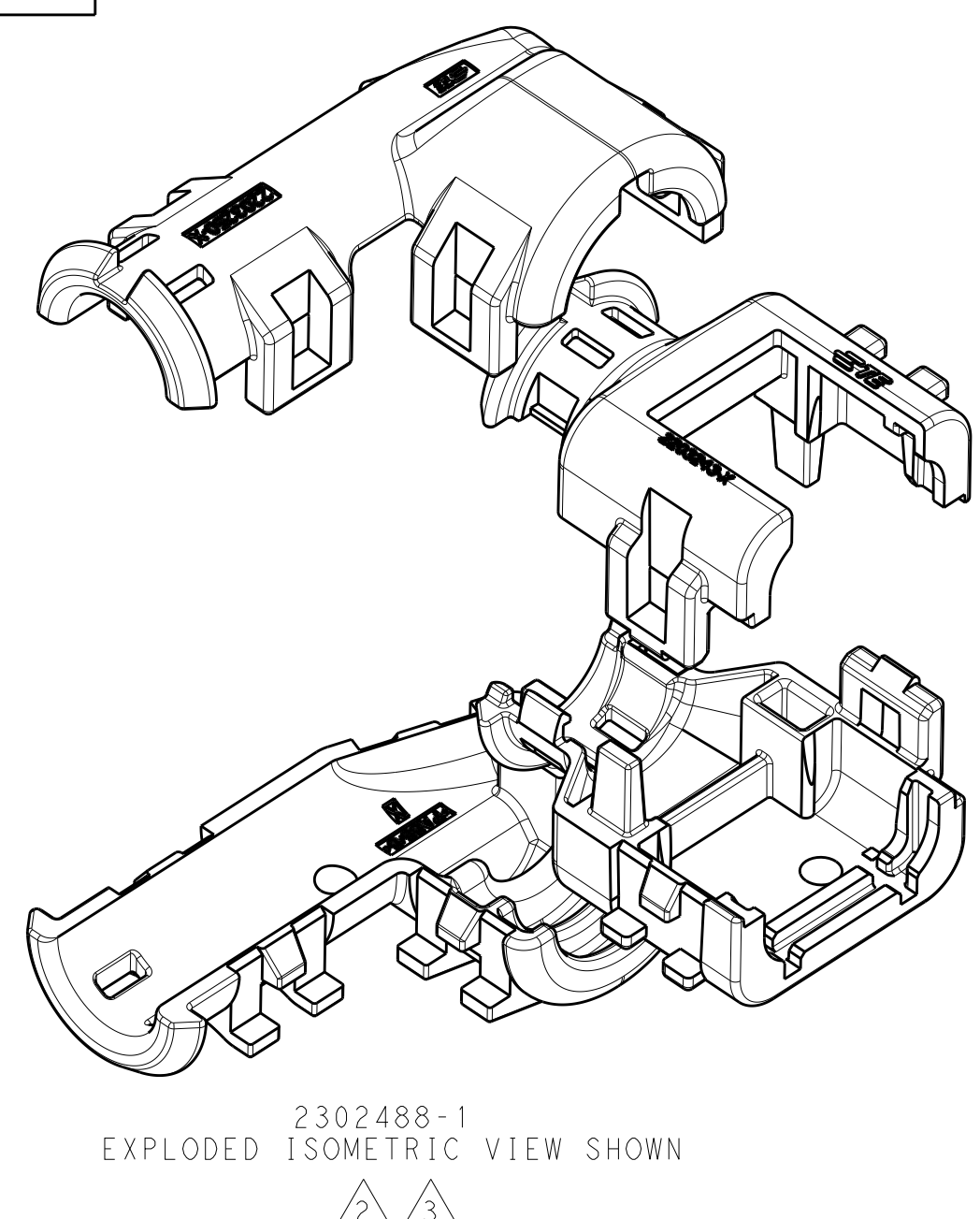
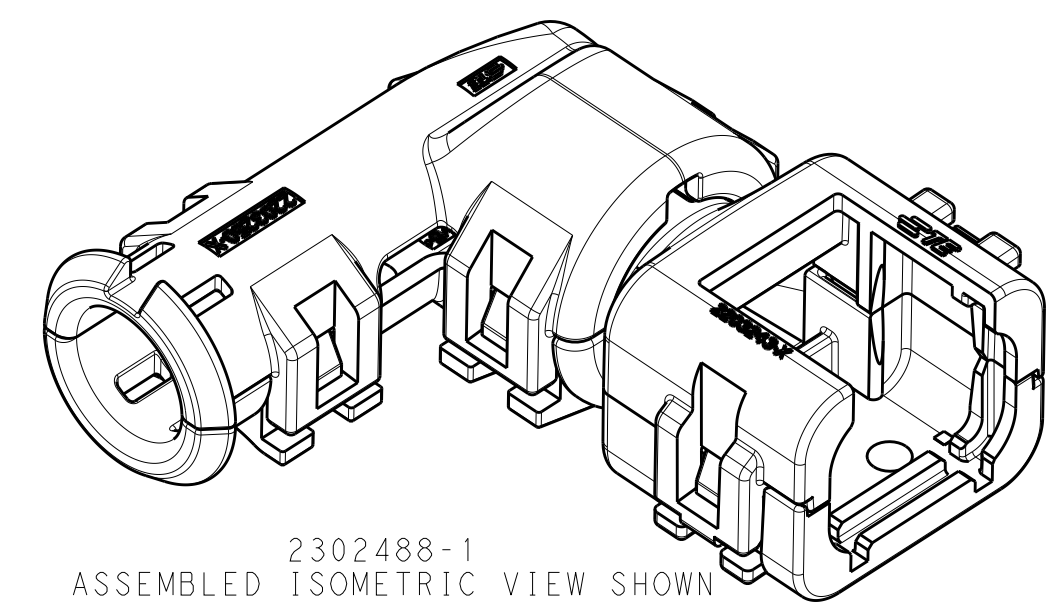
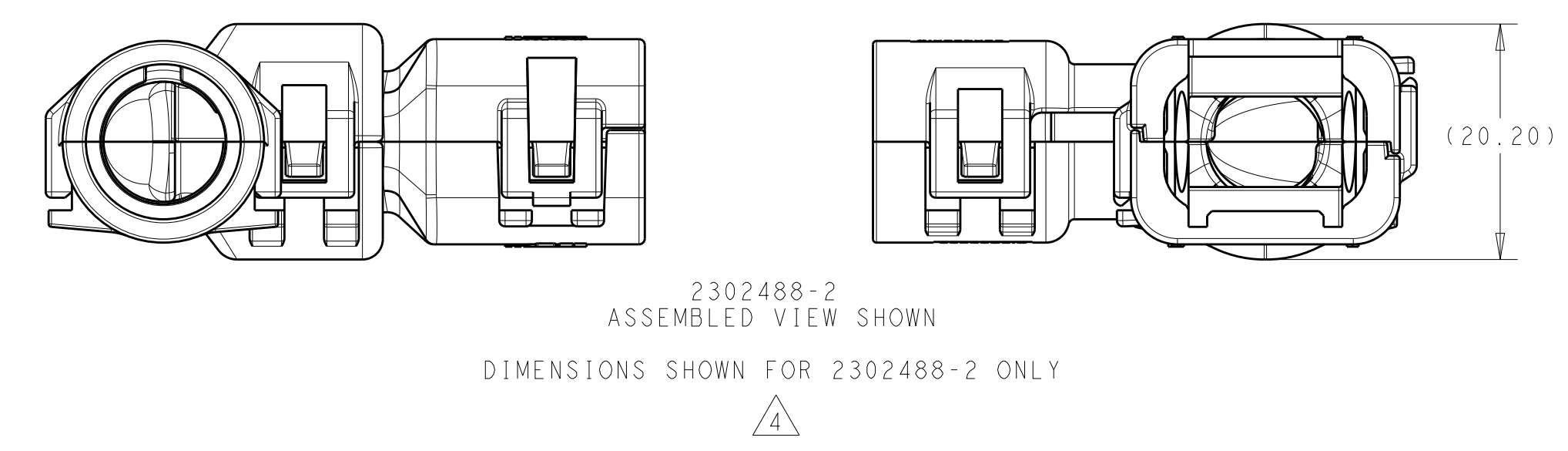
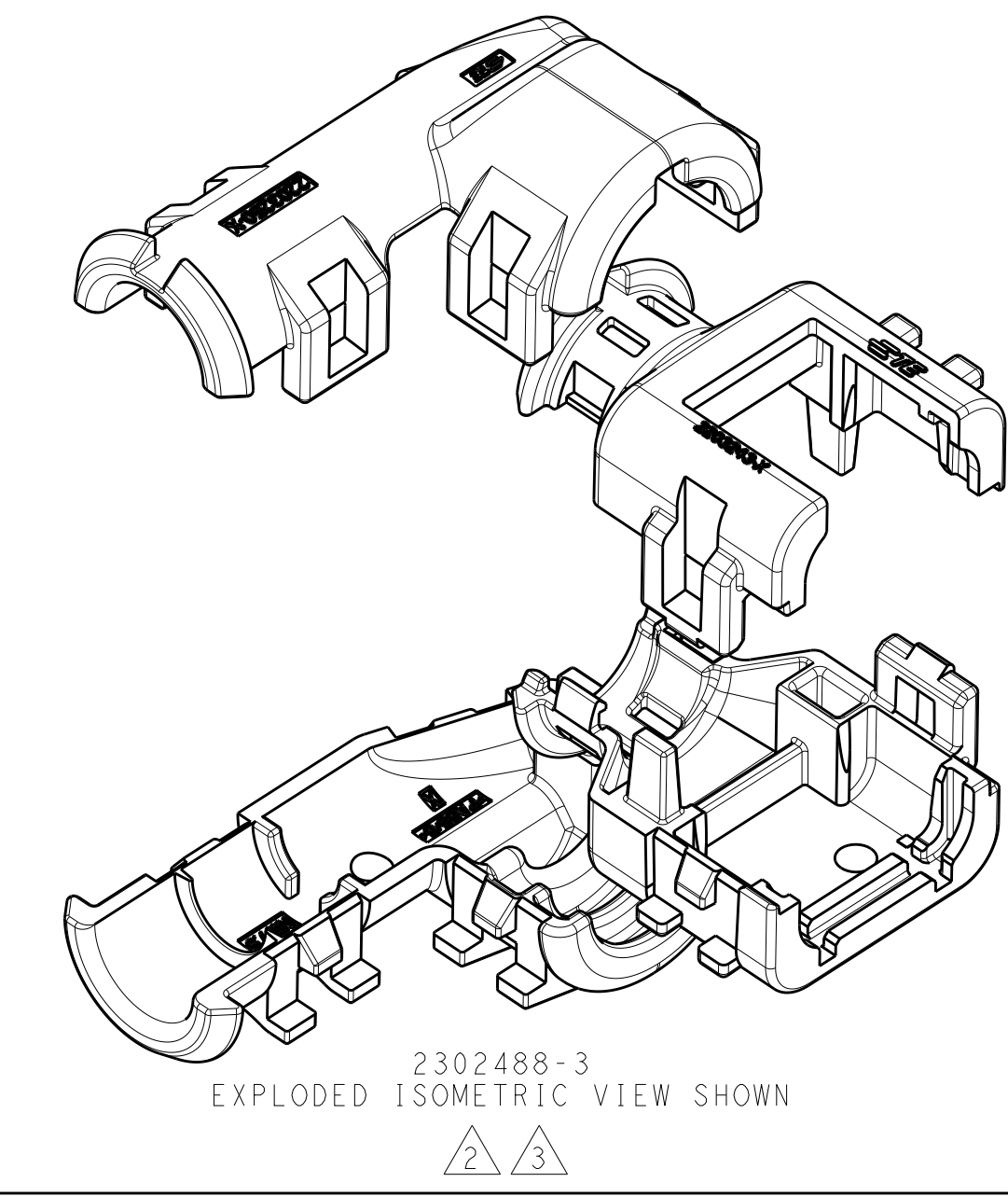
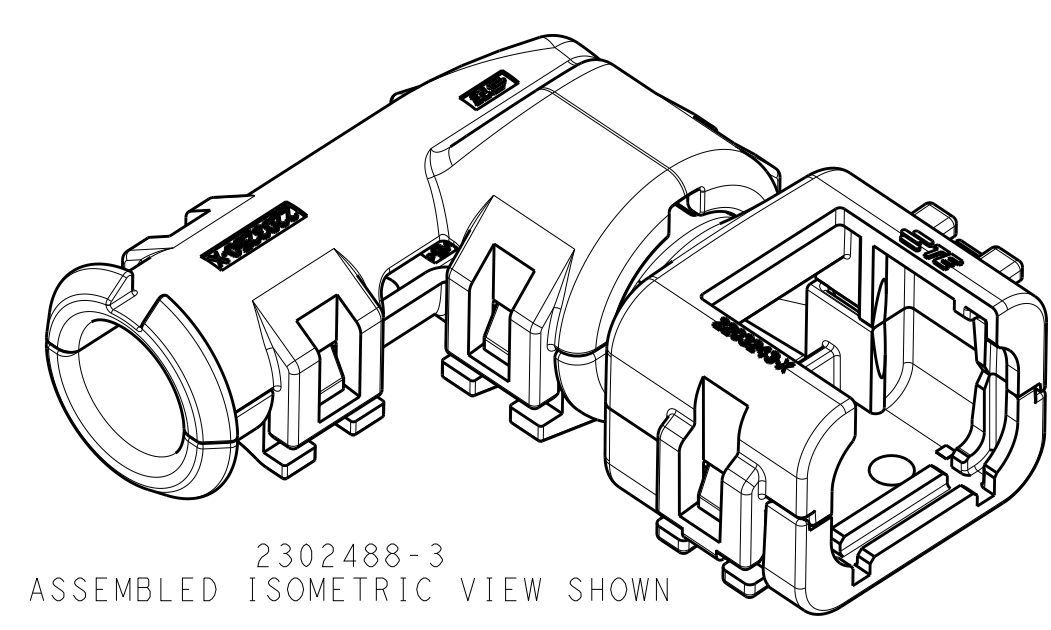
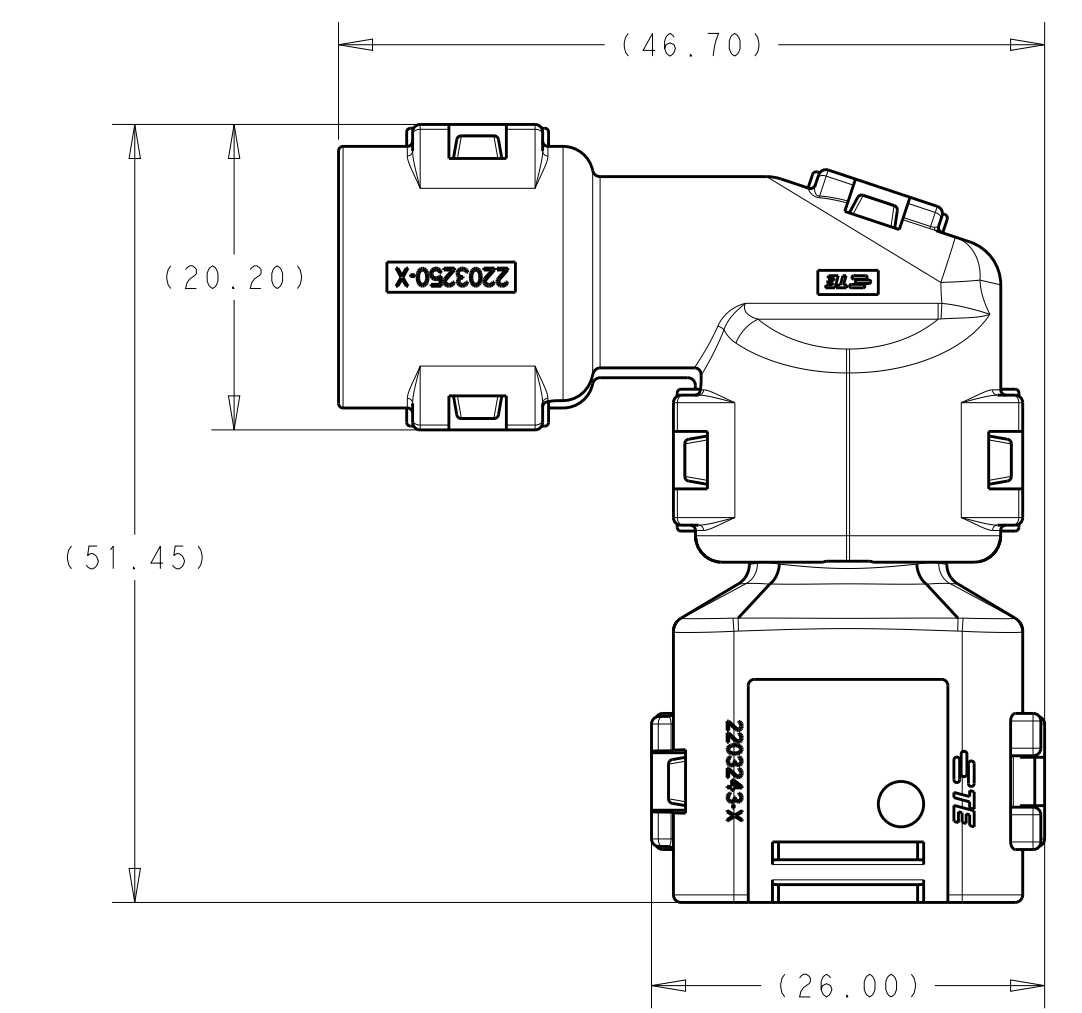
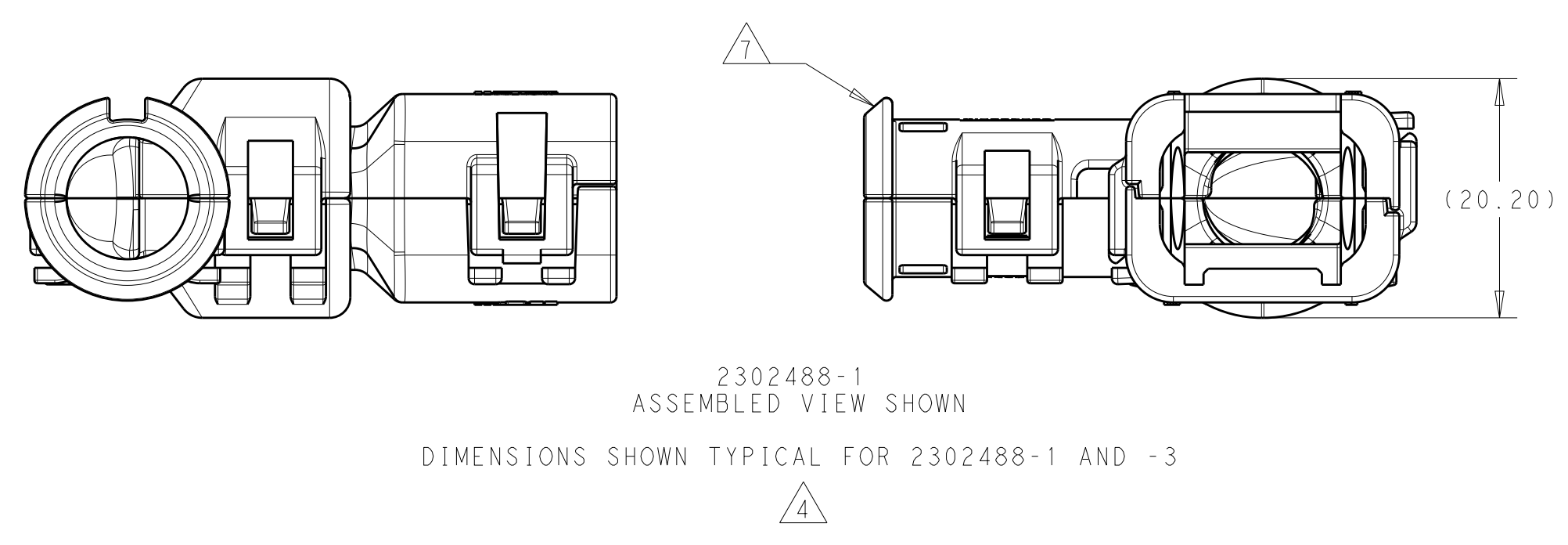
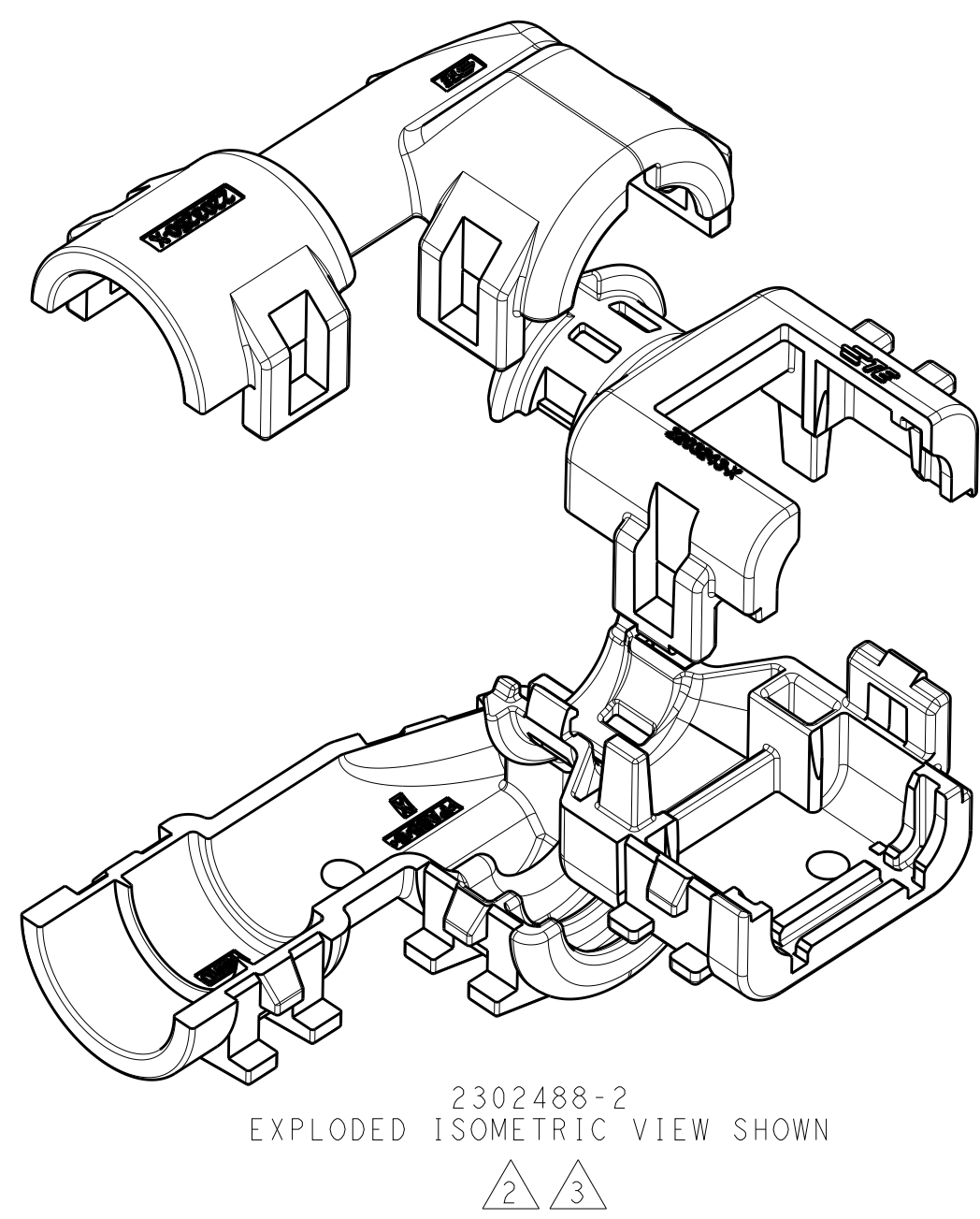
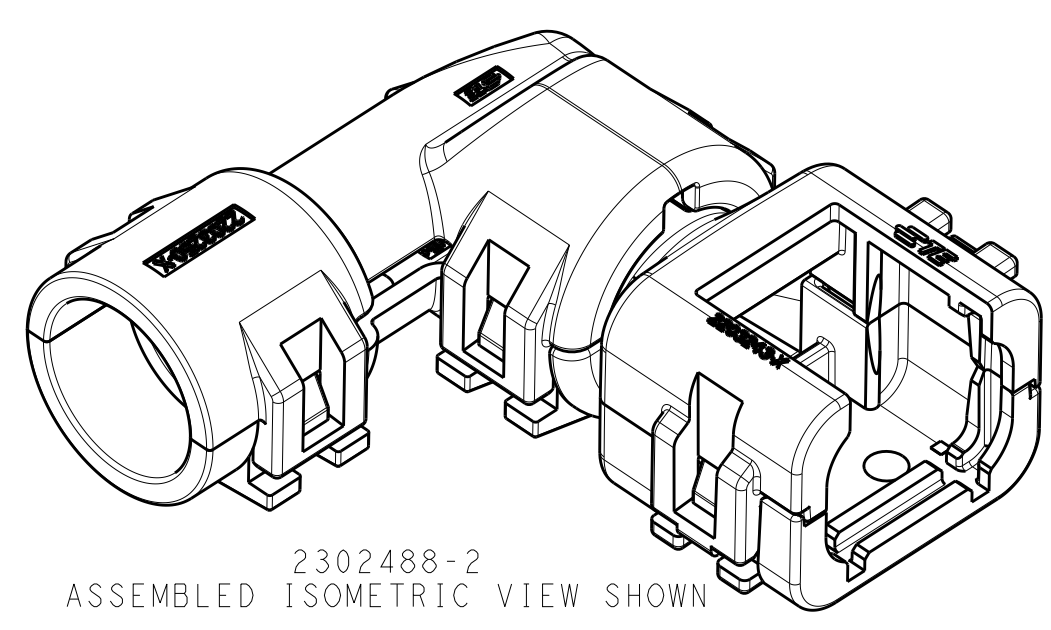


REVISIONS				
P	LTN	DESCRIPTION	DATE	DWN APVD
A		RELEASED PER ECO-16-007279	12MAY2016	JM RB
A2		REV PER ECO-16-013256	08SEP2016	JM RB



- 1 MATERIAL: NYLON MOLDING COMPOUND, BLACK, PA66/6.
- 2 BACKSHELL DESIGNED SUCH THAT TWO HALVES ATTACH TO ONE ANOTHER AND CLAMP AROUND THE CONNECTOR COVER.
- 3 ELBOW DESIGNED SUCH THAT TWO HALVES ATTACH TO ONE ANOTHER AND CLAMP AROUND THE BACKSHELL COLLAR.
- 4 DIMENSIONS TO BE MEASURED WHEN ELBOWS AND BACKSHELLS ASSEMBLED.
- 5 PRODUCT WEIGHTS:
2302488-1: 9.10g ASSEMBLED
2302488-2: 9.75g ASSEMBLED
2302488-3: 9.20g ASSEMBLED
- 6 4mm WIDE SLOTS FOR TIE WRAP TO SECURE HARNESS WIRES (-1 ONLY).
- 7 HEAT SHRINK TUBING FEATURE (-1 AND -3 ONLY).
- 8. INSTRUCTION SHEET: 408-151043.
- 9. CONDUIT PROFILE: NORMAL ONLY.



776427-X	NC08	NW7.5	2302488-3
776522-X	NC12	NW10	2302488-2
	SMOOTH	SMOOTH	2302488-1
FITS ON PLUG ASSY	CORREGATE NC	CORREGATE NW	PART NUMBER
	CONDUIT SIZE		

THIS DRAWING IS A CONTROLLED DOCUMENT.		DWN J. MCNEAL 13APR2016	TE Connectivity
DIMENSIONS: mm		CHK R. BALTER 13APR2016	
TOLERANCES UNLESS OTHERWISE SPECIFIED:		APVD R. BALTER 13APR2016	NAME BACKSHELL AND ELBOW KIT, 2 POSITION, PLUG ASSEMBLY, AMPSEAL 16
0 PLC ±	1 PLC ±	PRODUCT SPEC 108-151043	SIZE CAGE CODE DRAWING NO RESTRICTED TO
2 PLC ±	3 PLC ±	APPLICATION SPEC	A100779C=2302488
4 PLC ±	ANGLES ±	FINISH	SCALE 2:1 SHEET 1 OF 1 REV A2
MATERIAL	FINISH	WEIGHT	CUSTOMER DRAWING