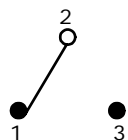
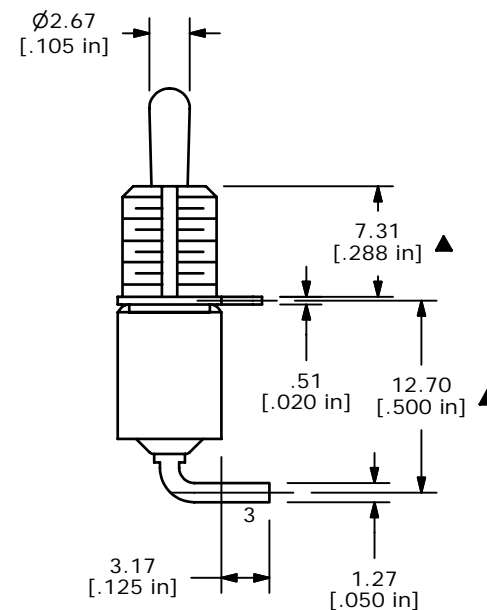
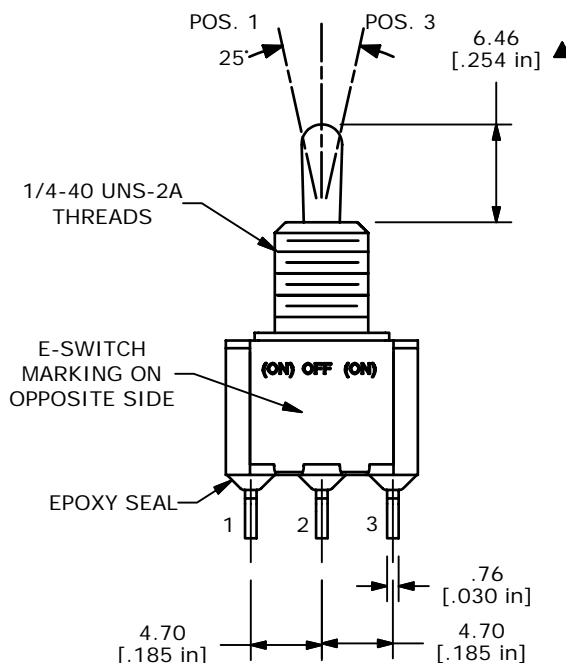


ISOMETRIC

SWITCH FUNCTION		
POS. 1	POS. 2	POS. 3
(ON)	OFF	(ON)
2-3	OPEN	2-1



CIRCUI: SPDT



- NOTE:
- ALL DIMENSIONS IN MM [INCH]
 - GENERAL TOLERANCE: X.X=±0.4
X.XX=±0.25
 - TERMINAL NUMBERS FOR REF ONLY
 - ▲ PLATING MATERIAL: GOLD
 - RATING: 0.4VA @ 20VAC OR VDC MAX.
 - ELECTRIC LIFE: 40,000 MAKE-AND-BREAK CYCLES AT FULL LOAD.
 - INSULATION RESISTANCE: 1,000 MEGA-OHM MIN.
 - DIELECTRIC STRENGTH: 1,000 V RMS @SEA LEVEL.
 - OPERATING TEMP.: -30°C to 85°C
 - ▲ DENOTES CRITICAL PARAMETER.
 - 2002/95/EC (ROHS) COMPLIANT
 - HARWARE TO BE SUPPLIED BULK:
 - T100011-LOCK WASHER QTY-1
 - T100015-LOCK RING QTY-1
 - T100000-HEX NUT QTY-2

E-SWITCH®

A	15930	RELEASED FOR PRODUCTION	4/4/06	PH
REV	PCR NO	DESCRIPTION	DATE	BY

TITLE 100SP4T2B3M6REH				
SCALE 2:1	DATE 4/4/2006	DR PH	DWG ST111060	REV A

THE INFORMATION CONTAINED IN THIS DOCUMENT IS PROPRIETARY TO E-SWITCH AND IS NOT TO BE COPIED OR TRANSFERRED