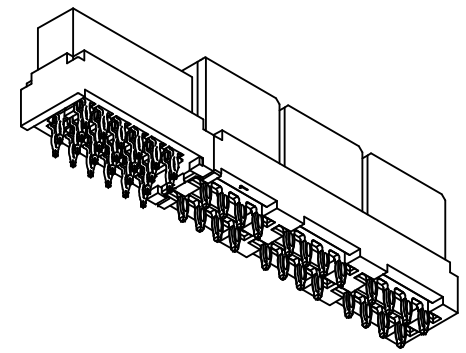
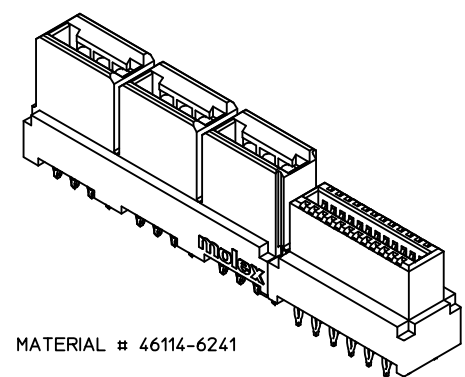
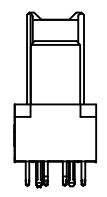
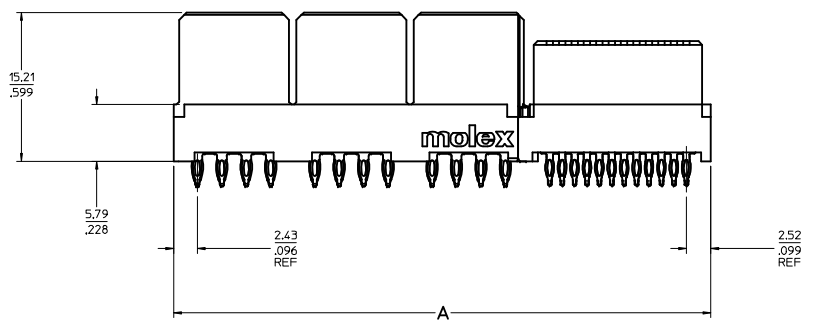
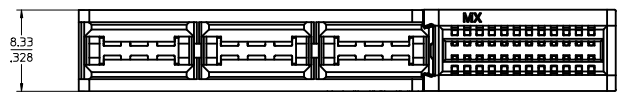


20 19 18 17 16 15 14 13 12 11 10 9 8 7 6 5 4 3 2 1

NO OF SIGNALS	MATERIAL NUMBER	COMPLIANT PIN PLATING	DIM A	DIM B	DIM C
12	46114-6121	TIN	47.34/1.864	47.84/1.883	2.69/106
16	46114-6161	TIN	49.88/1.964	50.38/1.983	
20	46114-6201	TIN	52.42/2.064	52.92/2.083	
24	46114-6241	TIN	54.96/2.164	55.46/2.183	
28	46114-6281	TIN	57.50/2.264	58.00/2.283	
32	46114-6321	TIN	60.04/2.364	60.54/2.383	
36	46114-6361	TIN	62.58/2.464	63.08/2.483	
40	46114-6401	TIN	65.12/2.564	65.62/2.583	



SEE SHEET 1 EC NO: UCP2015-0571 DRAWN: BHANDIRA 2014/08/19 CHKD: APPR: APATEL 2015/04/20 REV:	QUALITY SYMBOLS	GENERAL TOLERANCES (UNLESS SPECIFIED)	DIMENSION STYLE	SCALE	DESIGN UNITS	THIRD ANGLE PROJECTION
	∇=0 ∇=0 ∇=0	4 PLACES ±.--- ±.--- 3 PLACES ±.--- ±.010 2 PLACES ±.025 ±.--- 1 PLACE ±.--- ±.--- 0 PLACE ±.--- ±.---	MM/IN	4:1	METRIC	DRAWN BY: MKARADI MAS DATE: 2005/11/28 CHECKED BY: APATEL DATE: 10/13/06 APPROVED BY: JCOMERCI DATE: 2009/12/03
		ANGULAR ±1/2°	SEE CHART			TITLE
		DRAFT WHERE APPLICABLE MUST REMAIN WITHIN DIMENSIONS				LPH VERTICAL RECEPTACLE ASSEMBLY 6 CIRCUIT PWR CONNECTOR, PRESS FIT molex MATERIAL NO. SD-46114-600 DOCUMENT NO. SD-46114-600 SHEET NO. 2 OF 3

19 18 17 16 15 14 13 12 11 10 9 8 7 6 5 4 3 2 1

