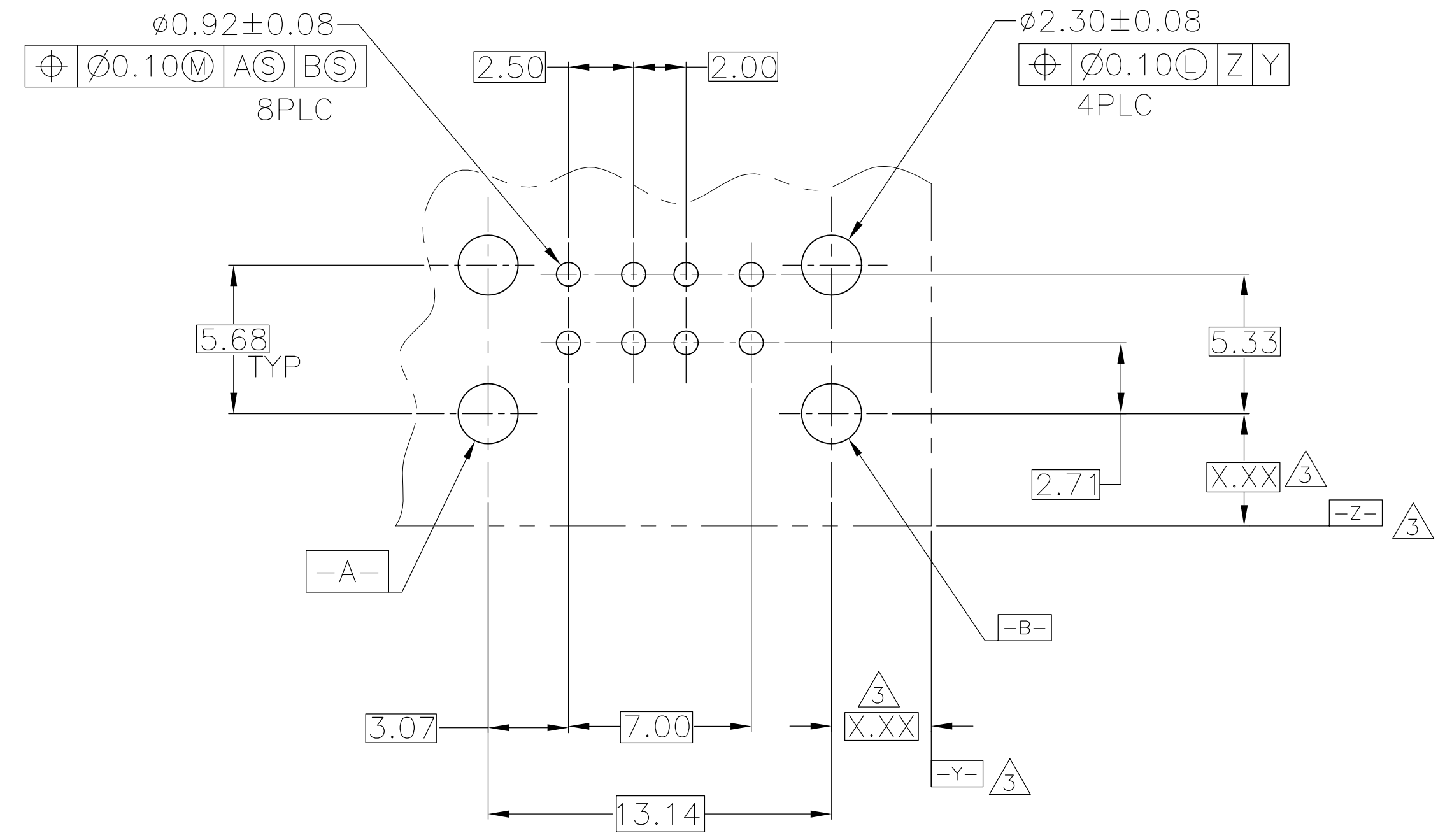
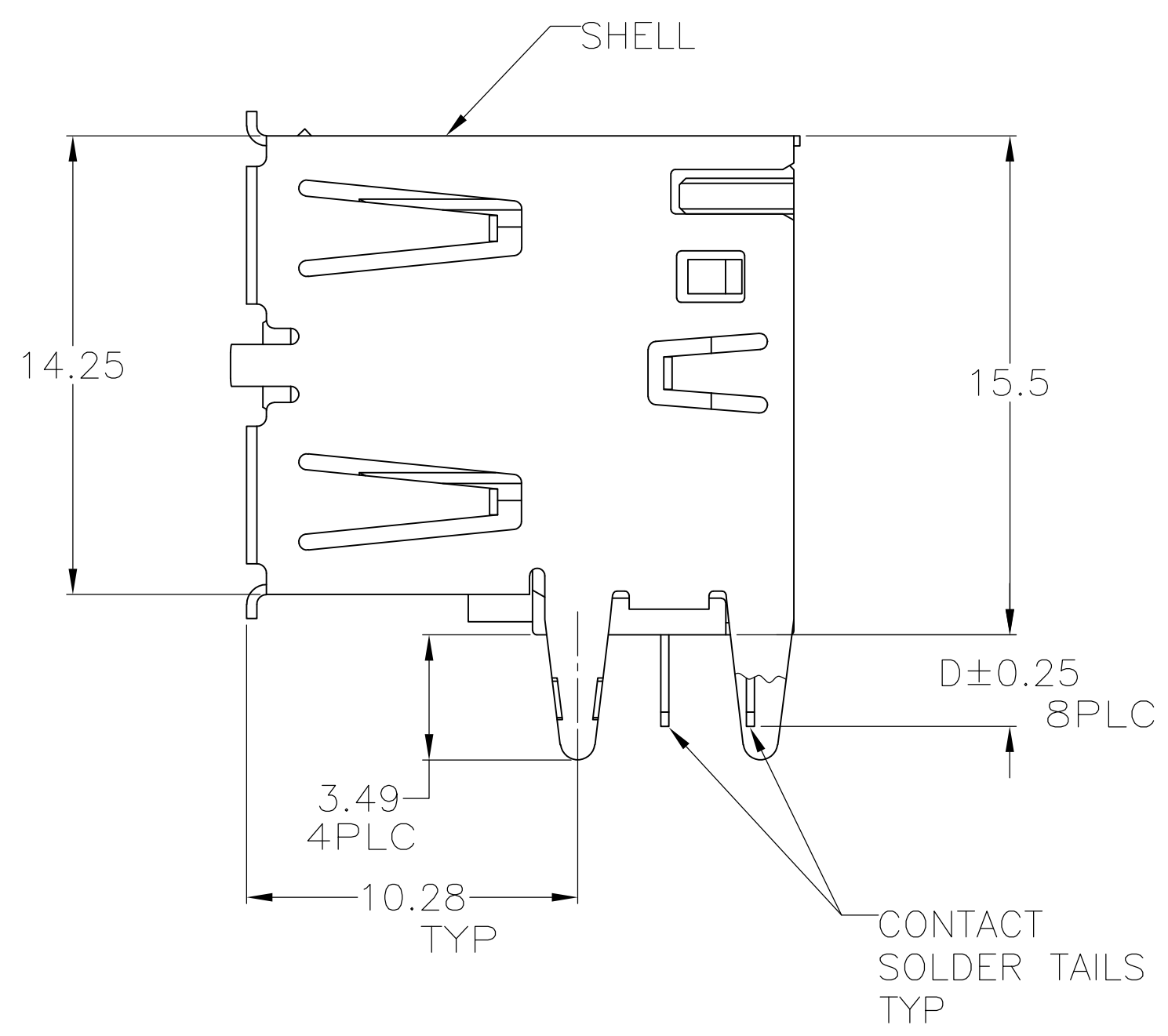
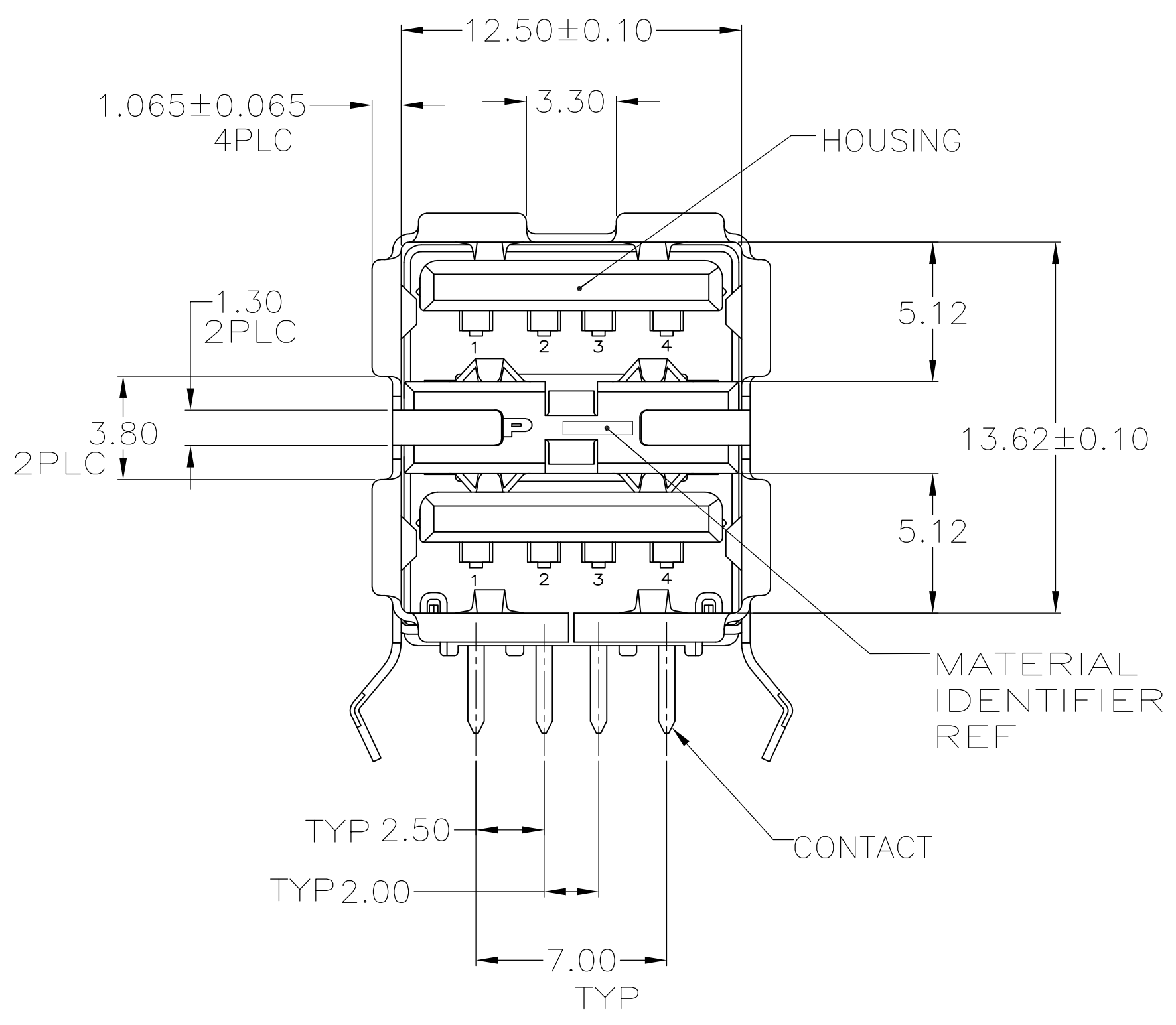


- ① MATERIAL:  
SHELL & CONTACT-COPPER ALLOY  
HOUSING-UL 94V-0 RATED, THERMOPLASTIC,SEE TABLE
- ② PLATING:  
CONTACT- 0.076um MIN. GOLD OVER 0.76um MIN.  
PALLADIUM-NICKEL ON MATING AREA ,OR CONTACT ALTERNATE  
PLATING 0.76um MIN. GOLD ON MATING AREA.  
3.8um MIN. MATTE TIN ON SOLDER TAILS.  
BOTH OVER 1.27um MIN. NICKEL.  
SHELL:2~6.5um MIN. BRIGHT TIN.
- ③ DATUM AND BASIC DIMENSIONS ESTABLISHED BY CUSTOMER.
- ④ RECOMMENDED PC BOARD THICKNESS 1.57.



RECOMMENDED PC BOARD MOUNTING DIMENSIONS  
 ④

NO	3.24	BLACK	292323-6
YES	2.29	BLACK	292323-5
YES	2.84	BLACK	292323-4
NO	2.84	NATURAL	292323-3
NO	2.29	BLACK	292323-2
NO	2.84	BLACK	292323-1

HIGH TEMPERATURE COMPATIBLE	D	HOUSING COLOR	PART NUMBER
-----------------------------	---	---------------	-------------

THIS DRAWING IS A CONTROLLED DOCUMENT.

DIMENSIONS: mm	TOLERANCES UNLESS OTHERWISE SPECIFIED:	0 PLC ± -	1 PLC ± -	2 PLC ± 0.13	3 PLC ± -	4 PLC ± -	ANGLES ± -
----------------	--	-----------	-----------	--------------	-----------	-----------	------------

DWN: SUNNY.XU 25FEB2004	CHK: S.YAO 25FEB04	APVD: T.SASAKI 25FEB04	NAME: RECEPTACLE ASSEMBLY ,RIGHT ANGLE STACKED,THRU-HOLE USB
Tyco Electronics Corporation Shanghai, P.R.China, 200233		SIZE: A1	CAGE CODE: 00779
DRAWING NO: 114-40054		SCALE: 5:1	SHEET 1 OF 1
MATERIAL: ①		FINISH: ②	REV: E

CUSTOMER DRAWING