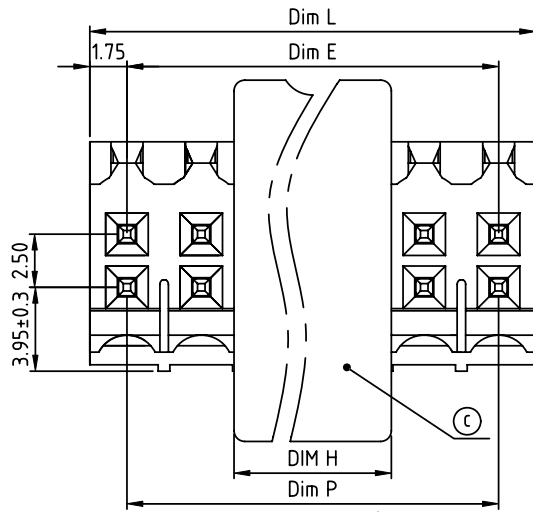


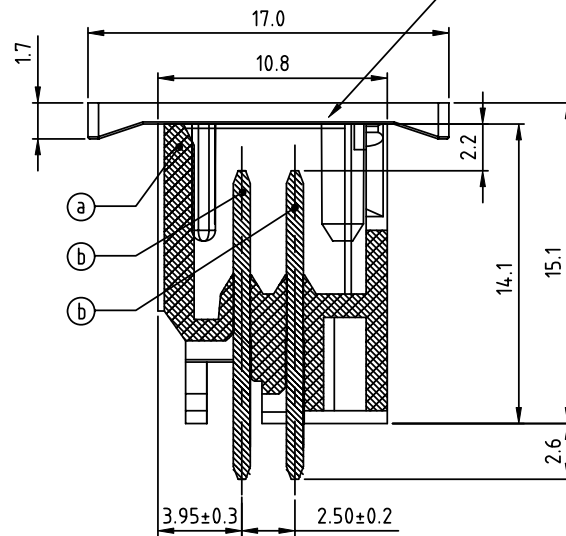
PRODUCT NUMBER	PITCH
VXxx1000B0J0G	3.50 mm



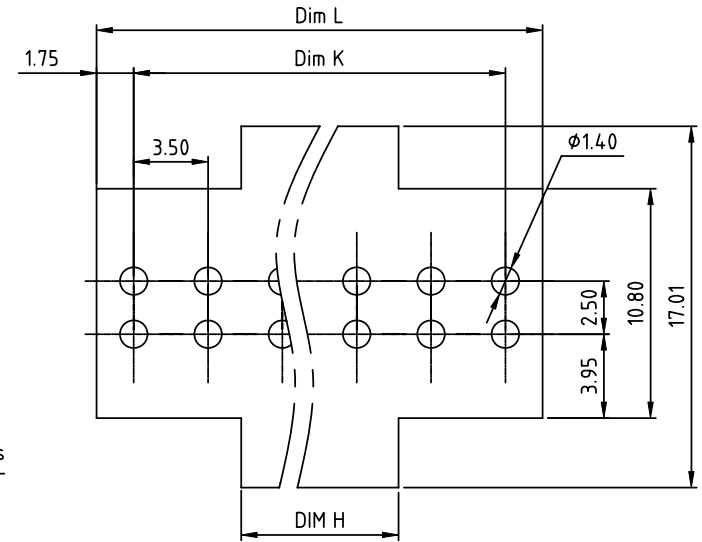
Cover:

POLES	2P	3P
DIM		
Dim H	7.40	10.90

Note: 3P Cover for odd poles
2p Cover for even poles



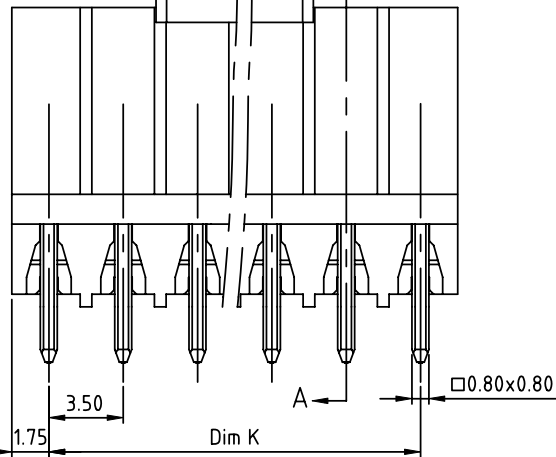
SECTION A-A



RECOMMENDED P.C.B LAYOUT
TOP VIEW

Material:

- Item ① Terminal housing: High temp. polyamide (UL94V-0)
 - Item ② Pin: Brass, Tin plated
 - Item ③ With cover: High temp. polyamide (UL94V-0)
- Electrical: cULus
- Voltage rating: 150V
 - Current rating: 7A
 - Withstanding Voltage: 1.3KV
 - Operating temperature: -40°C to +115°C
 - Reflow Soldering temperature: 260°C/10 Sec max
 - Safety Approval:



Dim L = N/2 × 3.5
Dim P = (N/2 - 1) × 3.5
Dim K = (N/2 - 1) × 3.5
Dim E = (N/2 - 1) × 3.5

N = Number of poles

Poles	Dim L	Dim P & Dim K	Dim E
2x2p-2x6p	±0.15	±0.10	±0.10
2x7p-2x12p	±0.25	±0.20	±0.20
2x13p-2x16p	±0.35	±0.30	±0.30

PART NO.: VX xx 10 0 0 B0J0 G

- Solid block
 - No. of poles
 - 04 2x2 poles
 - 06 2x3 poles
 -
 - 32 2x16 poles
- Color
0 Black (RAL9005)
- RoHS compliant
(lead < 4%)
In copper Alloy

mat'l. code	surface ASME Y14.5 ✓	tolerance ASME Y14.5	projection 	product family TERMINAL BLOCK				
ltr	ecn	no	dr	date	angles $X \pm 1^\circ$	tolerances unless otherwise specified X.X±0.5 X.XX±0.3 X.XXX±0.1	MM	title TERMINAL BLOCK
					dr	EVIN ZHONG 050714	scale	PLUGGABLE SOCKET, VERTICAL, OPEN TYPE, THR
					enr	EVIN ZHONG 050714		sheet 1 of 1 size
					chr	HANKE FENG 050714		VXxx1000B0J0G A4
					appd	SHI JUN 050714		type CUSTOMER Drawing
sheet index	revision	A						
	sheet	1						