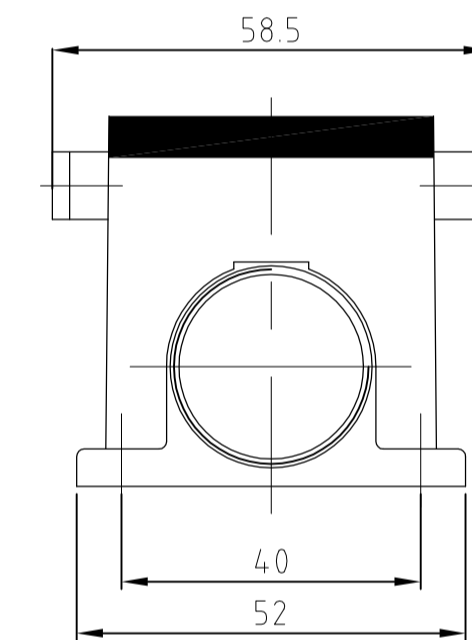
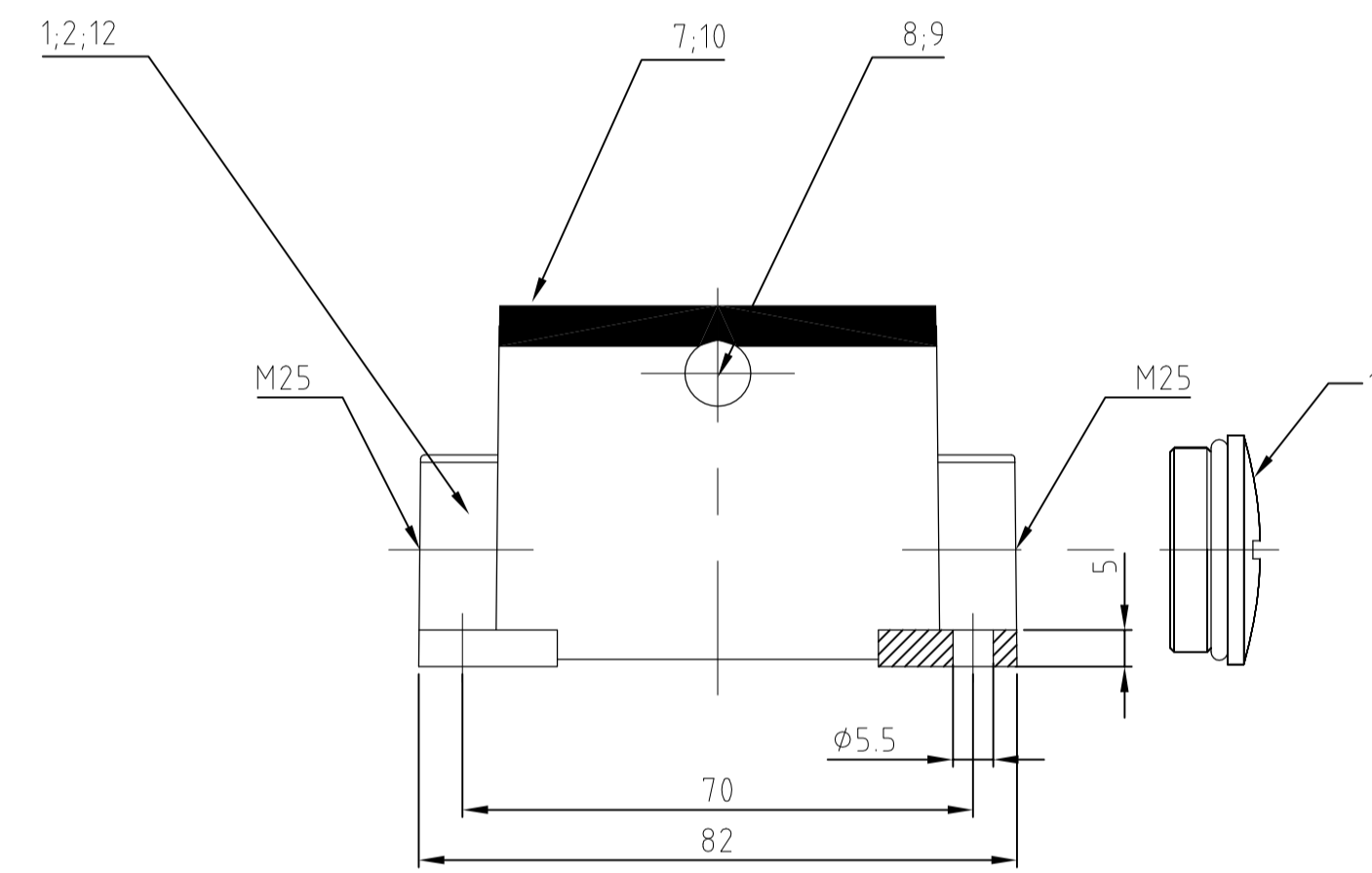
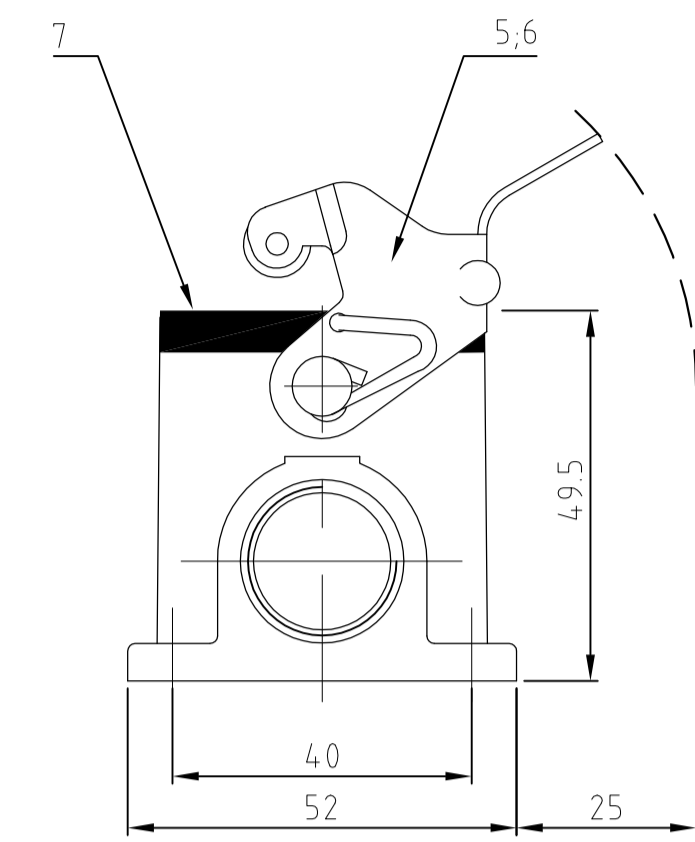
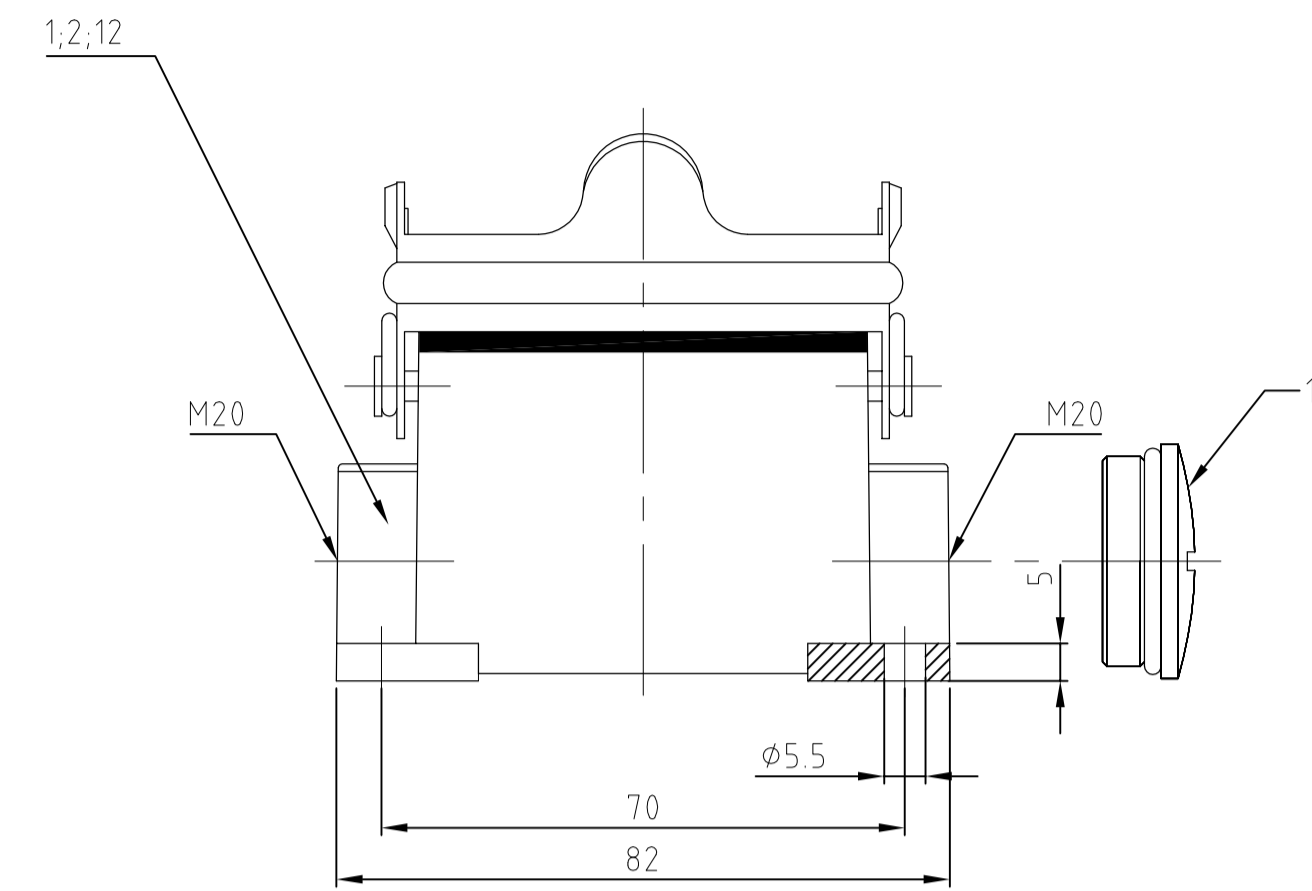
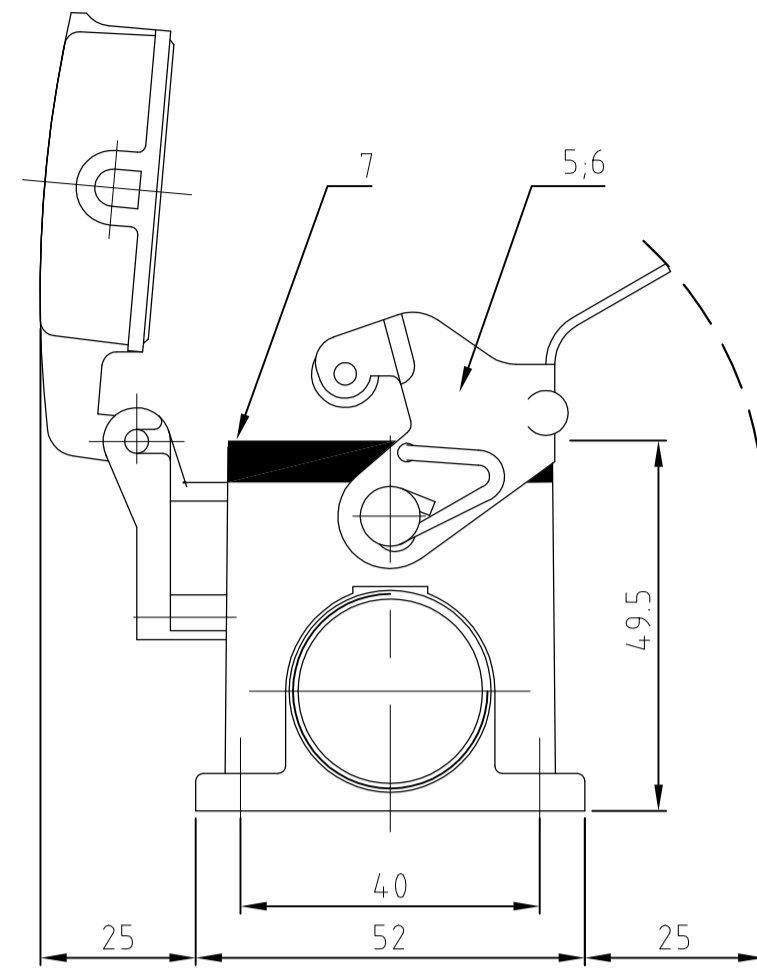
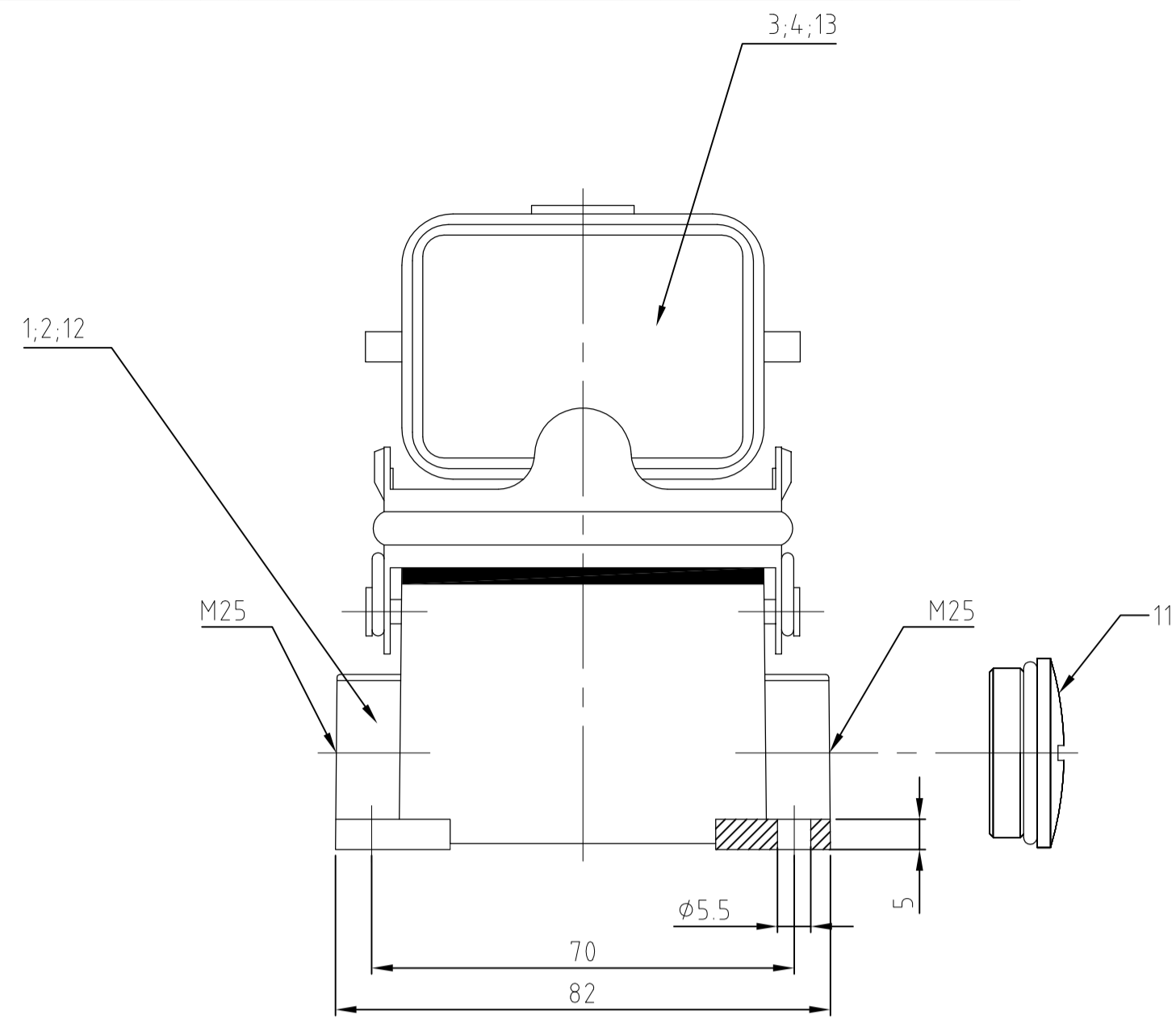


REVISIONS				
NO.	DATE	DESCRIPTION	BY	APP'D
A5	28AUG2017	REVISED PER ECR-16-016780	NG	MKO



Notes:

- 1 Material: Housing: aluminium diecasting alloy
Seals: Neoprene
- 2 Surface: Varnish- aluminium oxid+
Varnish black
- grey
- 3 Varnish on the inside not necessarily
- 4 Special packaging

Bemerkungen:

- 1 Material: Gehäuse: Alu-Druckguß-Legierung
Dichtung: Neoprene
- 2 Oberfläche: Lackierung - Aluminiumoxid+
Lackierung schwarz
- grau
- 3 Lackierung im Gehäuseinnere ist nicht notwendig
- 4 Sonderverpackung

QTY	DESCRIPTION / BENENNUNG	MATERIAL	SURFACE / OBERFLÄCHE	COLOR / FARBE	ITEM NO. POS.	REMARKS / BEMERKUNGEN
1	Deckel HB/cover	aluminium/ALU		grau/grey	13	ohne Logo
1	Socketgehäuse HB surface mounted housing side entry	aluminium/ALU		grau/grey	12	ohne Logo
1	Blanking Piece with Seal	Stahl/steel		blau/blue	11	M25
1	Profildichtung/profile seal	Viton		grau/grey	10	
	2	ZB-Bügelbolzen/central clip bolt	V2A/stainl. steel	blank/even	9	
1	2	ZB-Bügelbolzen/central clip bolt	Stahl/steel	verzinkt/zink plated	8	blau/blue
1	1	Profildichtung/profile seal	Neoprene	black/schwarz	7	
1	1	LB-Bügel/side clip	V2A/stainl. steel	blank/even	6	
1	1	LB-Bügel/side clip	Stahl/steel	verzinkt/zink plated	5	blau/blue
1	1	Deckel HB-K/cover	aluminium/ALU	Aluminiumoxid	4	black/schwarz
1	1	Deckel HB/cover	aluminium/ALU	grau/grey	3	
1	1	Socketgehäuse HB-K/ surface mounted housing side entry	aluminium/ALU	Aluminiumoxid	2	black/schwarz
1	1	Socketgehäuse HB surface mounted housing side entry	aluminium/ALU	grau/grey	1	

THIS DRAWING IS A CONTROLLED DOCUMENT. DWG: Schneider 07.11.2002
CHK: Schneider 07.11.2002

TO TOLERANCES UNLESS OTHERWISE SPECIFIED:
mm: 0 PLG ±0.1, 1 PLG ±0.1, 2 PLG ±0.1, 3 PLG ±0.1, 4 PLG ±0.1, ANGLES ±0.1

MATERIAL: FINISH:

DATE: 07.11.2002
NAME: Schneider
PRODUCT SPEC: Surface mounted housing side entry
APPLICATION SPEC: Socketgehäuse HB.6.SG.2.M25.Z
SIZE: A1
SCALE: 1:1
SHEET: 1 OF 1
REV: A5

CUSTOMER DRAWING