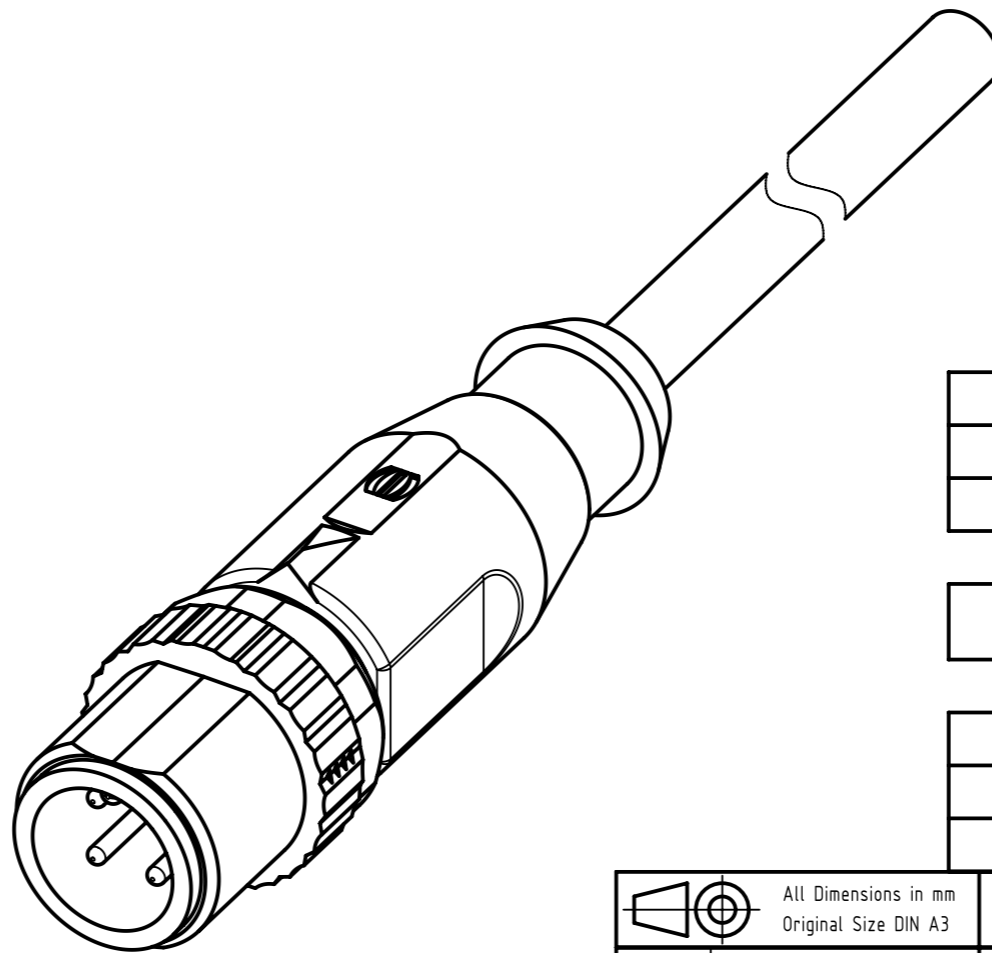


- Protection level: IP67
 - Temperature range: -25°C ... +80°C



length in "1m" step	40	XXX=400
	39	XXX=390
	.	.
	12	XXX=120
	11	XXX=110
length in "0.1m" step	10	XXX=100
	9.9	XXX=099
	9.8	XXX=098
	.	.
	0.4	XXX=004
	0.3	XXX=003
	0.2	XXX=002
	0.1	XXX=001
Step	a [m]	XXX,

4.0 to 40	+1%
0.1 to 3.9	+0.04
a [m]	Tolerance

Part no.	213484004,XXXXXX
Type of cable	XX
PVC grey, 4x0.34mm ²	XX=84
PUR black, 4x0.34mm ²	XX=91

All rights reserved Department EC PD - RO HARTING Electronics GmbH D-32339 Espelkamp	All Dimensions in mm Original Size DIN A3	Scale 2:1	Free size tol.	Ref. Sub.
	Created by MUNTEANV	Inspected by AVRAM	Standardisation HOFFMANN	Date 2016-03-22
Title M12 A-coded Cable Assembly				Doc-Key / ECM-Nr. 100578816/UGD/009/B 500000102117
Type TB		Number 213484004XXXXXX		Rev. B
				Page 1/1