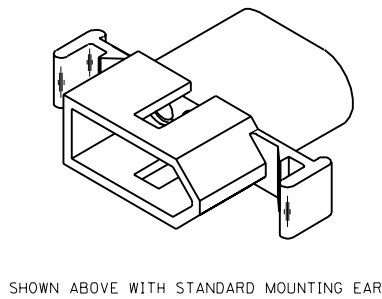
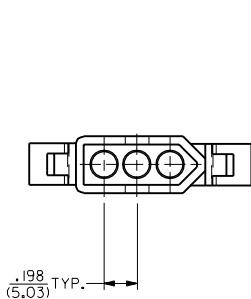
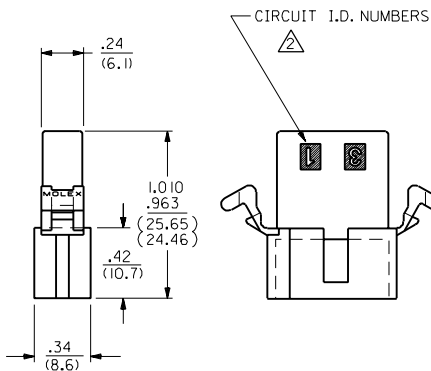
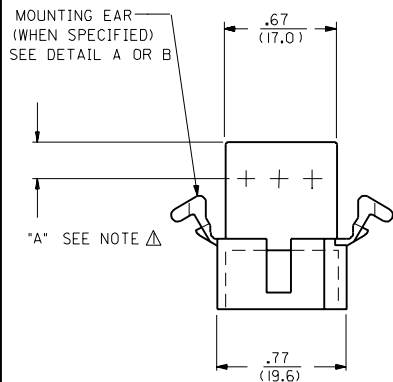
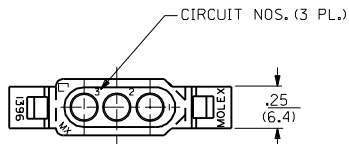
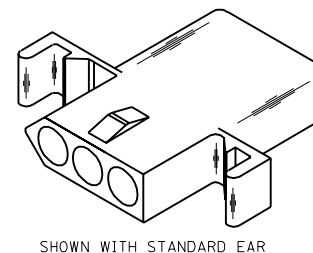
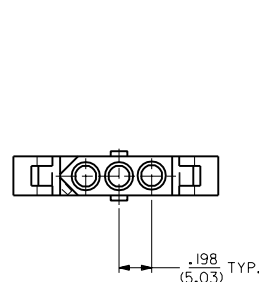
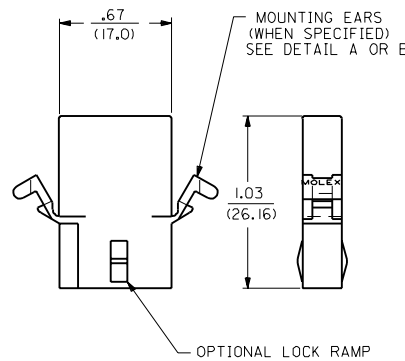
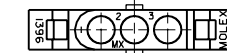
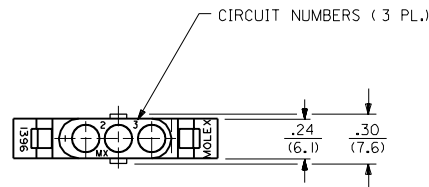


PLUG



RECEPTACLE



NOTES:
 Δ DIMENSION FROM THE BACK OF HOUSING TO THE END OF THE BRUSH ON THE WIRE INSERTED INTO THE HOUSING
 DIM "A" = .256/6.50 FOR 42477 & 42478 TERMINALS
 .216/5.49 FOR ALL OTHER .093 TERMINALS
 DIM "B" = .377/9.58 FOR 42477 & 42478 TERMINALS
 .337/8.56 FOR ALL OTHER .093 TERMINALS

Y3	REVISED PER UCR2000-05B3 3/1/00 DDB
Y2	REMOVE -R3, -R5 VER. PER ECON #UG 1479 6-10-96 RW
Y1	X-REMOVE 1396-R4 ECR U3 1583 GC 10/26/93 RW
Y	ADD CKT. I.D. #'S PER ECR U3 0683 GC 5/4/93 RW
X	REV MAT'L SPECS. ECR U2-1491 10-08-92 A.GUZIK
W1	ADD -D VERSIONS. ECR U1 1106 GC 7/25/91 RW
W	REVISE ON CAD ECR #UB 1381 JJS 4-24-88 RW
2	Y2
1	Y3
MFG. SH.	REV. LTR.

DIMENSIONS SHOWN METRIC (INCH)		▽ = 0	▽ = 0	REVISE ONLY ON CAD SYSTEM
UNLESS OTHERWISE SPECIFIED TOLERANCES ANGULAR ± 1/2°		TITLE		
		.093/(2.36) HOUSING, PLUG & RECEPTACLE		
		3 CIRCUIT .198/(5.03) C		
		MOLEX INCORPORATED		
		L15LEJLL 60532 U.S.A. 1 of 2 4/3/88		
		PART NO. DRWG. NO.		
		SEE SHEET 2		
		SD-1396-•		
DRWG. BY: RAS	CHKD. BY: JWS	FILE NAME: S1396.3X1	DRWG. NO.:	DATE: 4/3/88
APP'D. BY: RAS	SCALE: 2:1	DRWG. NO.:	REV.:	SIZE: CP

13 12 11 10 9 8 7 6 5 4 3 2 1

PLUG		RECEPTACLE	
ORDER NO.	ENG. NO.	ORDER NO.	ENG. NO.
03-09-2031	I396-P	03-09-1031	I396-R
03-09-2032	I396-P-1	03-09-1032	I396-R-1
03-09-7032	I396-P-IBK	03-09-1033	I396-R-2
03-09-7031	I396-PBK	03-09-6033	I396-R2BK
PRELIMINARY	I396-P-B	03-09-6032	I396-R-IBK
		03-09-6031	I396-RBK
		PRELIMINARY	I396-R-B
		PRELIMINARY	I396-R-1-B
		03-09-1081	I396-R4

LEGEND:

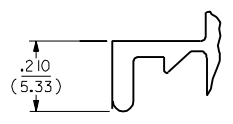
I396-*****

P = PLUG
R = RECEPTACLE

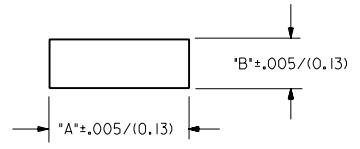
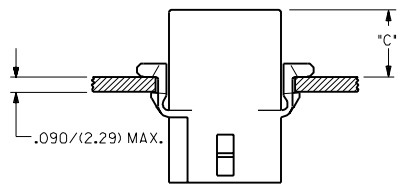
BLANK = WITH STANDARD EARS
 1 = WITHOUT EARS
 2 = RECEPTACLE WITHOUT EARS, WITHOUT LOCK RAMP
 3 = PLUG ONLY, W/ SIDE MOUNT (SEE SD-I396-P3)
 4 = WITH PREBENT EARS

COLOR: BLANK=NATURAL COLOR
 AM=AMBER BK=BLACK BU=BLUE
 BN=BROWN CY=GRAY GN=GREEN
 OR=ORANGE RD=RED YW=YELLOW

BLANK = NYLON 6/6, 94V-2
 B = NYLON TYPE 6/6, 94V-2, UV STABILIZED



DETAIL A
STANDARD MOUNTING EAR
(SCALE 4:1)

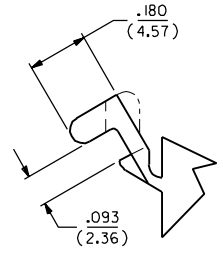


RECOMMENDED PANEL MOUNTING HOLE

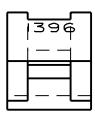
HOUSING	DIM. "A"	DIM. "B"	"C" PREBENT EAR	"C" STANDARD EAR
PLUG	.933/(23.70)	.375/(9.53)	.40/(10.2)	.38/(9.7)
RECEPT.	.830/(21.08)	.312/(7.92)	.41/(10.4)	.39/(9.9)

NOTES:

- 1. MOLEX PRODUCT SPEC 02-09 APPLIES.
- 2. CIRCUIT I.D. NUMBERS ON SIDE OF HOUSING APPEAR ON PARTS FROM TOOLS BUILT AFTER 5/4/93.



DETAIL B
PREBENT MOUNTING EAR
(SCALE 4:1)



1396

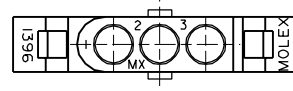
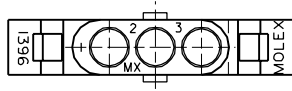
DETAIL B

PREBENT MOUNTING EAR
(SCALE 4:1)

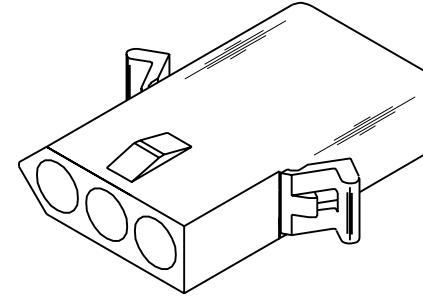
DIMENSIONS SHOWN (METRIC) INCH		▽ = 0 ▽ = 0		REVISE ONLY ON CAD SYSTEM	
UNLESS OTHERWISE SPECIFIED TOLERANCES ANGLES ARE 1/2°					
INCH		METRIC			
3 PLACE	± .010	---			
2 PLACE	± .014	± 0.25			
1 PLACE	---	± 0.35			
DRAFT WHERE APPLICABLE MUST REMAIN WITHIN DIMENSIONS					
DRWG. BY: JJS	CHK'D. BY: RW	FILE NAME: S13962X2	SCALE: :	THIS DRAWING CONTAINS INFORMATION THAT IS PROPRIETARY TO MOLEX INC. AND SHOULD NOT BE USED WITHOUT WRITTEN PERMISSION.	
APP'D. BY: RAS	SCALE: :	MOLEX INCORPORATED		DATE: 4/8/88	
LTR. REVISIONS		LTR. REVISIONS		PART NO. SD-1396-*	

13 12 11 10 9 8 7 6 5 4 3 2 1

DWG. NO.
SD-1396-001

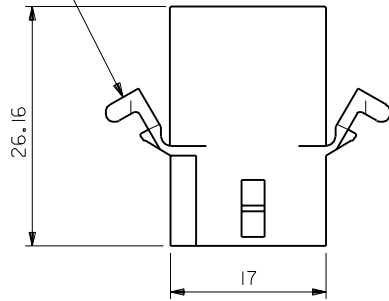


OPTIONAL END CONFIGURATION

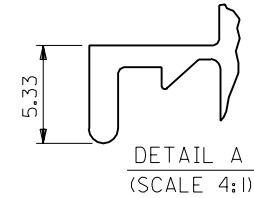
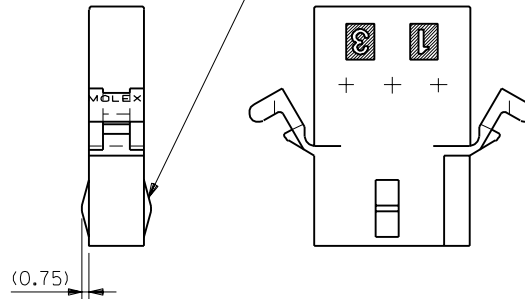


RECEPTACLE

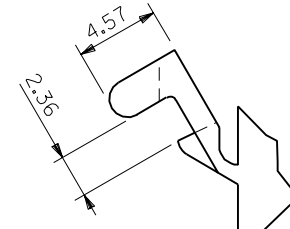
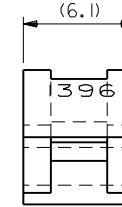
MT'G EARS (表参照)
参照 DETAIL A OR B



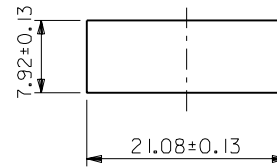
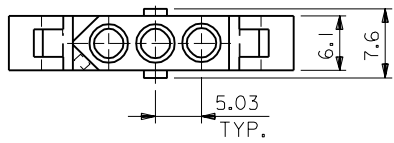
LOCKING TAB (表参照)



DETAIL A
(SCALE 4:1)



DETAIL B
(SCALE 4:1)



パネル取付穴寸法
(パネル厚 2.29最大)

I396R4	03-09-1081	有	WITH	有	WITH DETAIL B
I396R2	03-09-1033	無	WITHOUT	無	WITHOUT
I396R1	03-09-1032	有	WITH	無	WITHOUT
I396R	03-09-1031	有	WITH	有	WITH DETAIL A
ENG. NO.	EDP NO.	LOCKING TABS		MT'G EARS	

MODEL NO.	03-09-1***	DIMENSIONS:	SHT	REV
DESIGN UNITS	<input checked="" type="checkbox"/> mm <input type="checkbox"/> INCH	<input type="checkbox"/> mm <input type="checkbox"/> INCH	<input type="checkbox"/> mm <input checked="" type="checkbox"/> ONLY	REVISE ON CAD ONLY
THIRD ANGLE PROJECTION				
DRAWN BY & DATE	K.KOHAMA 00/08/28			
CHECKED BY & DATE	T.YAMAGUCHI 00/08/28			
APPROVED BY & DATE	M.FUKUSHIMA 00/08/28			
CAD FILENAME	I396001.S01	MATERIAL NO.	SEE NOTES	DRAWING NO.
				SD-1396-001
				SHEET NO. 1 OF 1

TITLE:
3 CIRCUITS RCPT HSG
(0.093 DIA TERMINAL)

MOLEX INCORPORATED

THIS DRAWING CONTAINS INFORMATION THAT IS PROPRIETARY TO MOLEX INCORPORATED AND SHOULD NOT BE USED WITHOUT WRITTEN PERMISSION.

EN-02J(097) MXJ-54

DO NOT SCALE DRAWING

EC NO. DRWN: CHK: APPR:	EC NO. DRWN: CHK: APPR:	EC NO. DRWN: CHK: APPR:	EC NO. DRWN: CHK: APPR:	EC NO. DRWN: CHK: APPR:
RELEASED				
EC NO. JC2001-0078				
DRWN: K.KOHAMA 00/08/28				
CHK: T.YAMAGUCHI				
APPR: M.FUKUSHIMA				
DESCRIPTION				
MATERIAL				
材料 NYLON66				
94V-2				
FINISH				
件 T7				
WIRE RANGE				
適用電線範囲				
INS. RANGE				
設置条件				

GENERAL TOLERANCES: (UNLESS SPECIFIED)	
一般公差	
10 UNDER 未満	+0.25 ±0.25
10 OVER 以上 30 UNDER 未満	+0.3 ±0.25
30 OVER 以上	+0.35 ±0.3
ANGLE 角度	+3°