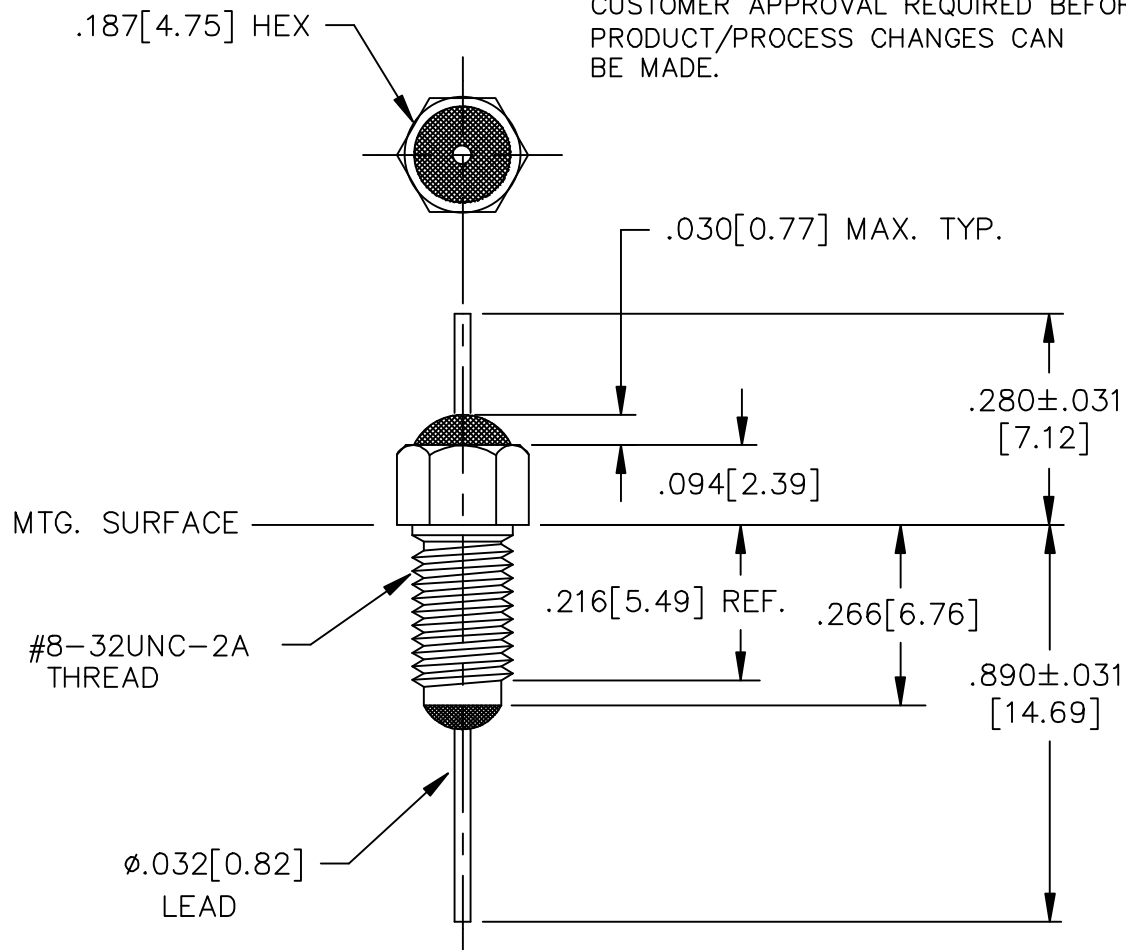
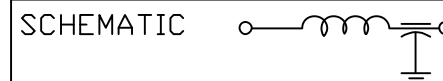


NOTES:

- 43 1. MAXIMUM MOUNTING TORQUE = 4lb-in.
 2. THIS PART CODED "NCA". SCI DOES NOT HAVE CHANGE AUTHORITY. CUSTOMER APPROVAL REQUIRED BEFORE PRODUCT/PROCESS CHANGES CAN BE MADE.



LEAD FINISH:	SOLDER
BUSHING FINISH:	SILVER
CAPACITANCE	22nF
TEMP. RANGE	-55°C TO 125°C
CURRENT	10 AMP MAX.
WORKING VOLTAGE	85°C --- VDC MAX. 125°C 100 VDC MAX.
D.C. RESISTANCE	.01ohms MAX.
MIN. I.L. PER MIL-STD-220 AT 25°C NO LOAD	
FREQ. MHz	I.L. (db)
1	10
10	30
100	42
1 GHz	60
10 GHz	60



MARKING:

PART: M15733/61-0013
 BAG: MIL 15733/61-0013
 OLSP2
 DATE CODE
 100VDC
 125°C
 10 AMPS
 XXX QTY/BAG (100 MAX.)
 P.O. XXX
 PACKAGE: TO BE MARKED
 SAME AS THE BAG.

	43	42	REV. NO.	TOLERANCES UNLESS OTHERWISE SPECIFIED		FAIRVIEW PENNSYLVANIA
	CN 57806-ENG	CN. 184970	CHANGE NOTICE	Fractions ± 1/64		Dwn. KAUFFMAN
				Dec. .xx±	Date 2-23-11	51-712-067
				Dec. .xxx±.010	Apvd.	
				Angles ±0° 30'	Scale NONE	
				CODE IDENT. NO. OLSP2		