

10119128 - X0C - XXXLF

LEAD-FREE DESIGNATION ONLY WITH APPLICABLE PLATING CODES

6-COLUMN DIFFERENTIAL SIGNAL

| LETTER | PLATING (SEE NOTE 6) | |
|--------|----------------------|-------------------------------|
| | APPLICATION | TYPE (REFERENCE) |
| B | TELCORDIA CO | 0.76µm GOLD or GXT |
| C | TELCORDIA UE | 1.27µm GOLD |
| D | TELCORDIA CO | 0.76µm GOLD or GXT, LEAD-FREE |
| E | TELCORDIA UE | 1.27µm GOLD, LEAD-FREE |

| NUMBER | GUIDE PIN STYLE (SEE NOTE 8) |
|--------|------------------------------|
| 0 | STANDARD GUIDE PIN, MACHINED |
| 1 | STANDARD GUIDE PIN, ROLLED |

| MODULE DESCRIPTION | LETTER DESIGNATION REPRESENTED IN DASH NUMBER | | | | | | | | | | BASE MODULE |
|--|---|---|---|---|---|---|---|---|---|---|-------------|
| LEFT POLARIZING GUIDANCE MODULE (SEE SHEET 6) | N | J | A | B | C | D | E | F | G | H | |
| | NO KEY NO GUIDE PIN | | | | | | | | | | |
| RIGHT POLARIZING GUIDANCE MODULE (SEE SHEET 7) | Z | Y | P | Q | R | S | T | U | V | W | |
| | NO KEY NO GUIDE PIN | | | | | | | | | | |
| OPEN MODULE (TWO WALL) (SEE SHEET 2) | 0 (ZERO) | | | | | | | | | | |
| LEFT WALL MODULE (SEE SHEET 3) | L | | | | | | | | | | |
| RIGHT WALL MODULE (SEE SHEET 4) | M | | | | | | | | | | |
| FOUR WALL MODULE (SEE SHEET 5) | 1 (ONE) | | | | | | | | | | |

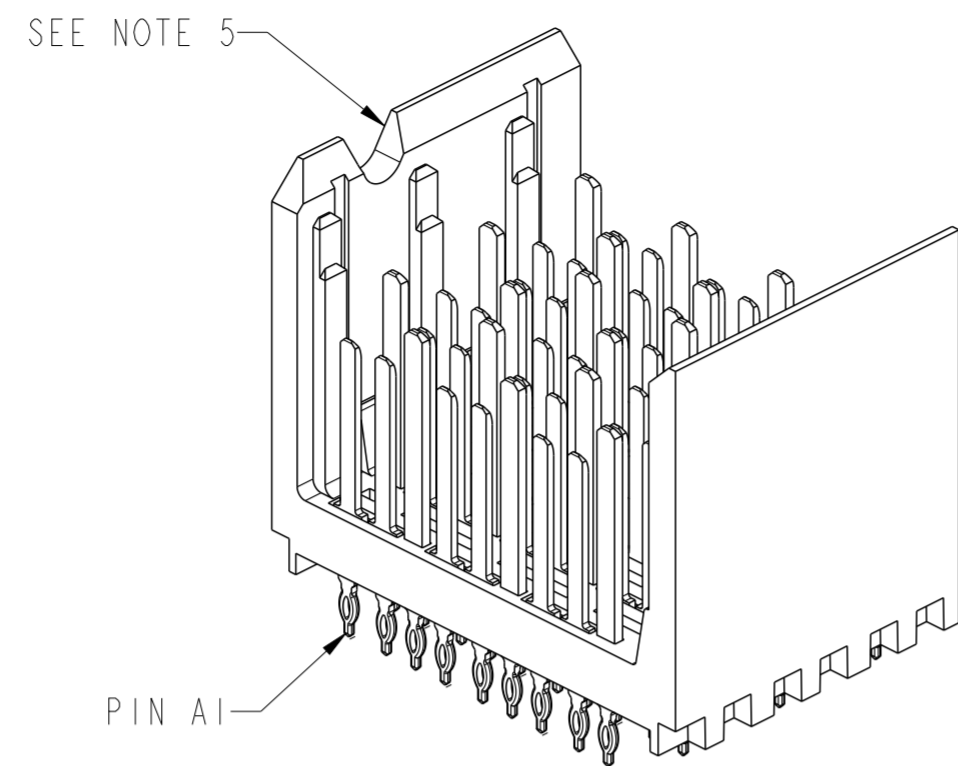
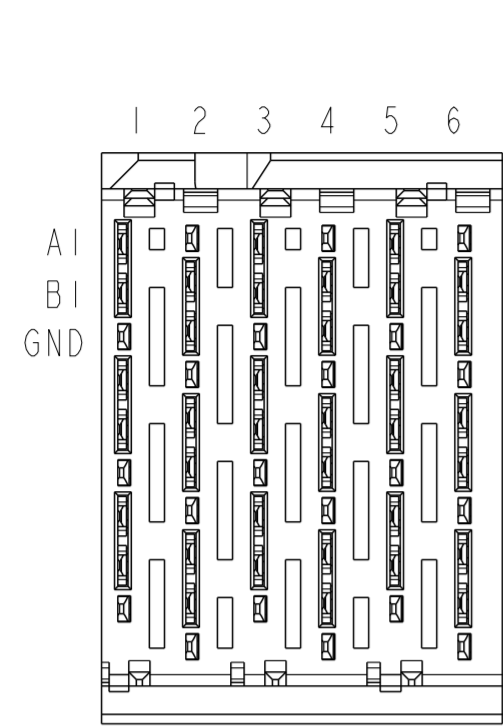
| NUMBER | CONTACT MATING WIPE LENGTH | | COMPLIANT TAIL TYPE (SEE NOTE 9) |
|--------|----------------------------|--------|----------------------------------|
| | SIGNAL | GROUND | |
| 1 | 2 MM | 4 MM | 0.55 (0.0217") DRILL |
| 2 | 3 MM | 4 MM | 0.55 (0.0217") DRILL |
| 3 | 2 MM | 4 MM | 0.45 MICRO (0.0177") DRILL |
| 4 | 3 MM | 4 MM | 0.45 MICRO (0.0177") DRILL |
| 5 | 2 MM | 3 MM | 0.55 (0.0217") DRILL |
| 6 | 3 MM | 3 MM | 0.55 (0.0217") DRILL |
| 7 | 2 MM | 3 MM | 0.45 MICRO (0.0177") DRILL |
| 8 | 3 MM | 3 MM | 0.45 MICRO (0.0177") DRILL |

FOR CUSTOM-LOADED MODULES, SEE INDIVIDUAL CUSTOM DRAWINGS WITH THE DRAWING-NUMBER FORMAT OF 10119128-XXXX, WHERE: "X" DENOTES MODULE TYPE PER CHART ON THIS SHEET "YYYY" IS A SEQUENTIAL NUMBER BEGINNING WITH "0001".

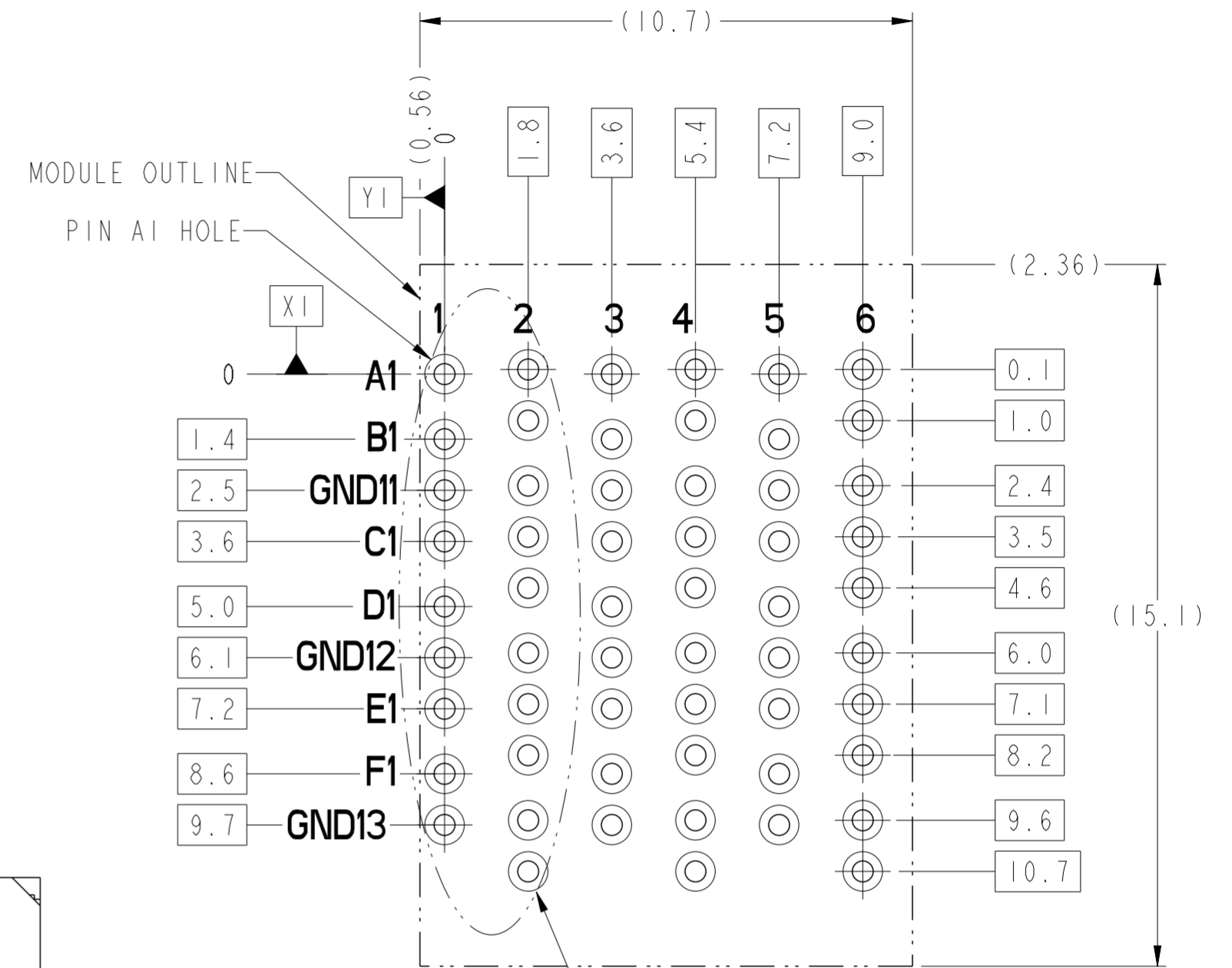
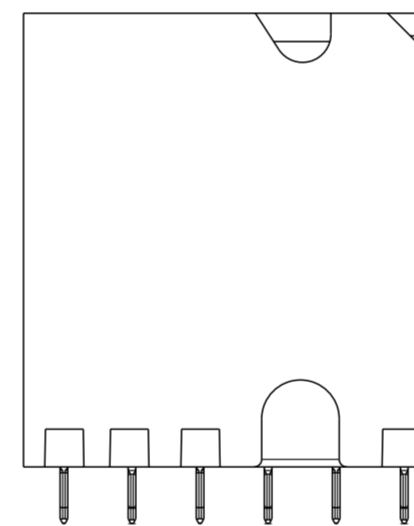
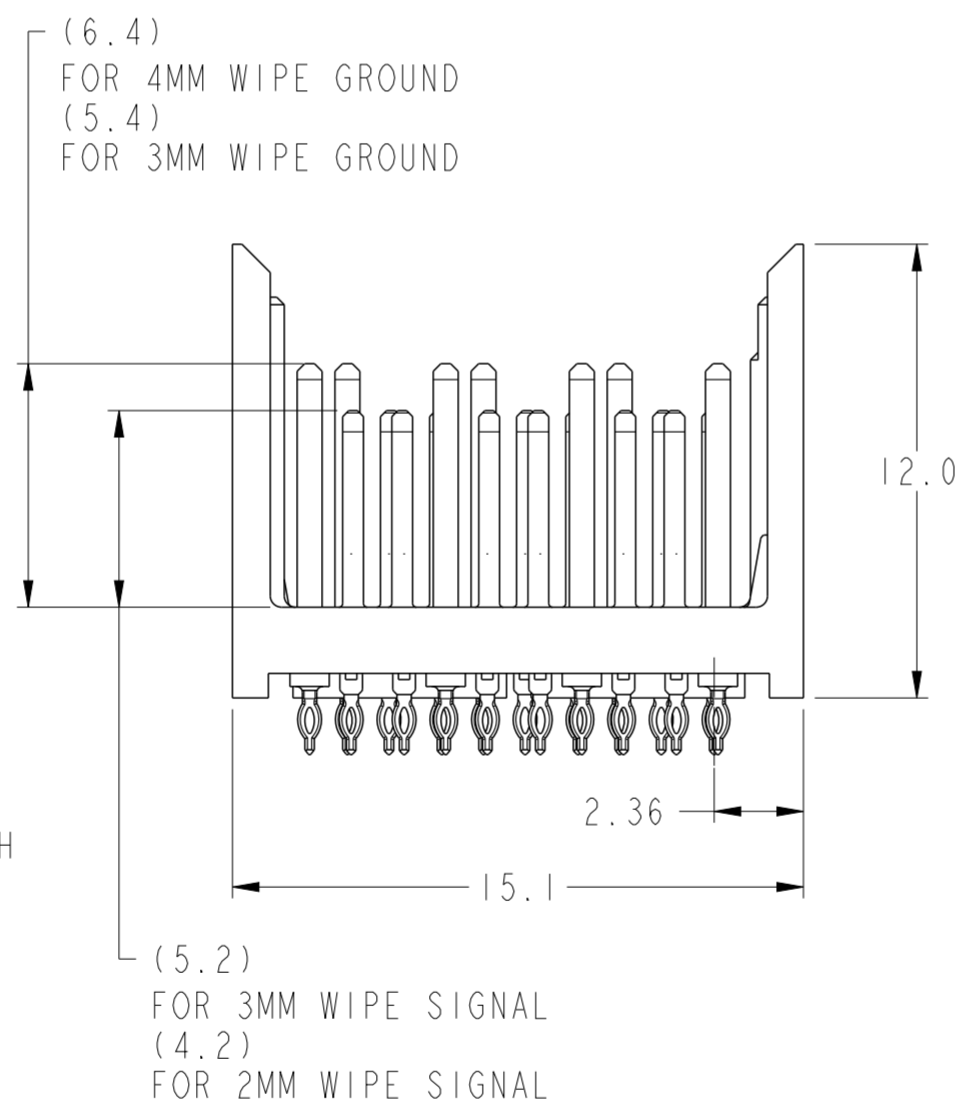
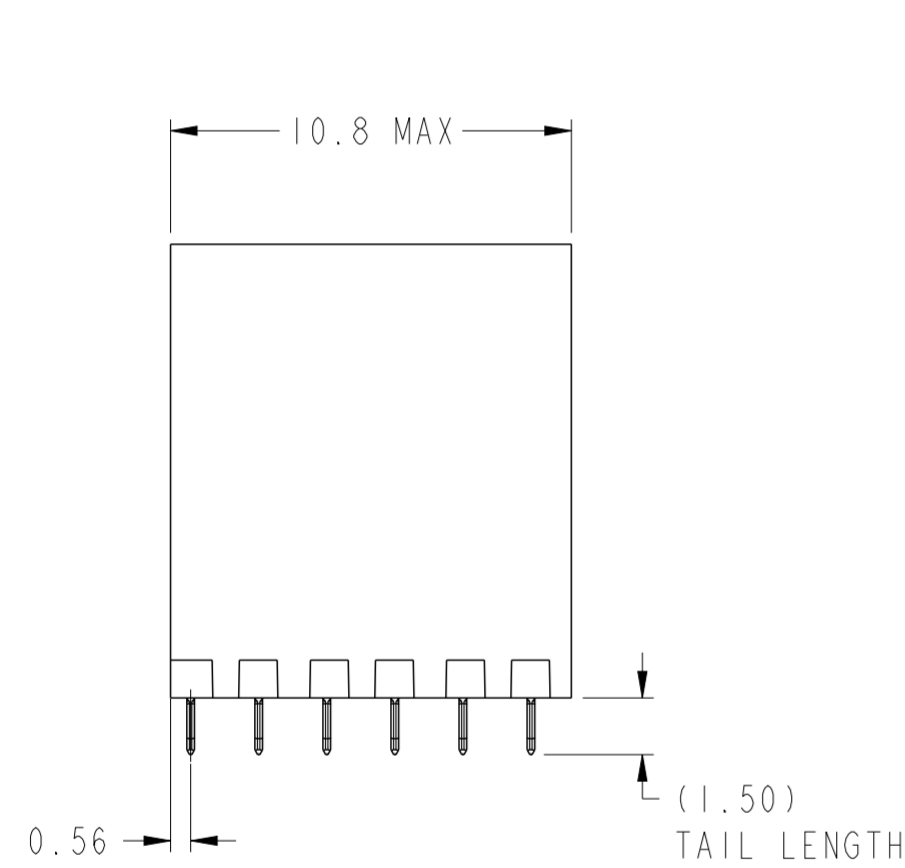
| | UNGROUND | GROUND |
|-----------|-------------|-------------|
| FHS | ∅2.35-∅2.55 | ∅2.35-∅2.55 |
| PAD | N/A | ∅5.50 |
| PLATED | NO | YES |
| DRILL(mm) | 2.44mm | 2.58mm |
| DRILL(in) | 0.096" | 0.1015" |

| SCREW P/N | DESCRIPTION | BOARD THICKNESS |
|----------------|--|-----------------|
| 10091790-002LF | #2-56 X 0.375" LG. PHILIPS PANHEAD W/SQ CONICAL WASHER | 1.60-5.00mm |
| 10091790-003LF | #2-56 X 0.375" LG. PHILIPS PANHEAD W/SQ CONICAL WASHER | 5.00-10.00mm |

| | | | | | | | | | | |
|---------------|---------------------------------------|------|---------------|------------|----------------|----------|----------|------------------------|--------------|----------|
| spec ref | - | dr | Mary Glass | 2012/02/02 | projection | MM | size | A2 | scale | 5:1 |
| tolerance std | ISO 406 ISO 1101 | eng | Sandar Soe | 2013/03/20 | chr | - | ecn no | ELX-8-14229-1 | rel level | Released |
| surface | ISO 1302 | appr | Chen-Hong Tan | 2013/04/09 | product family | XCEDE HD | cat. no. | 10119128 | rev | B |
| | TOLERANCES UNLESS OTHERWISE SPECIFIED | | | | | | | Product - Customer Drw | sheet 1 of 8 | |



OPEN WALL MODULE

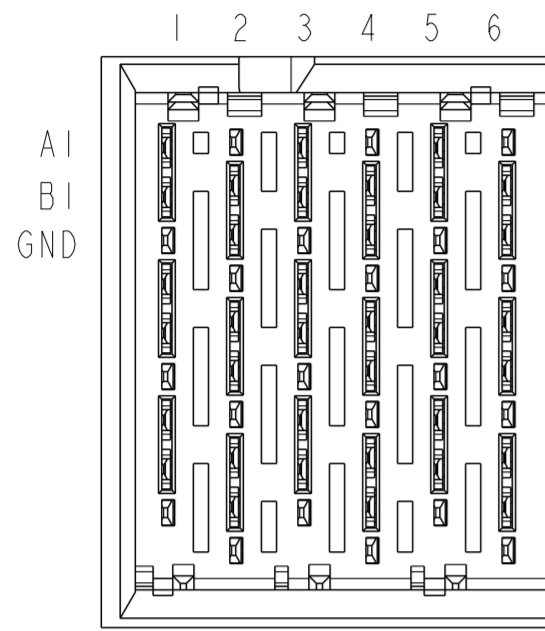


SEE DETAIL A ON SHEET 8 FOR PINOUT DETAILS

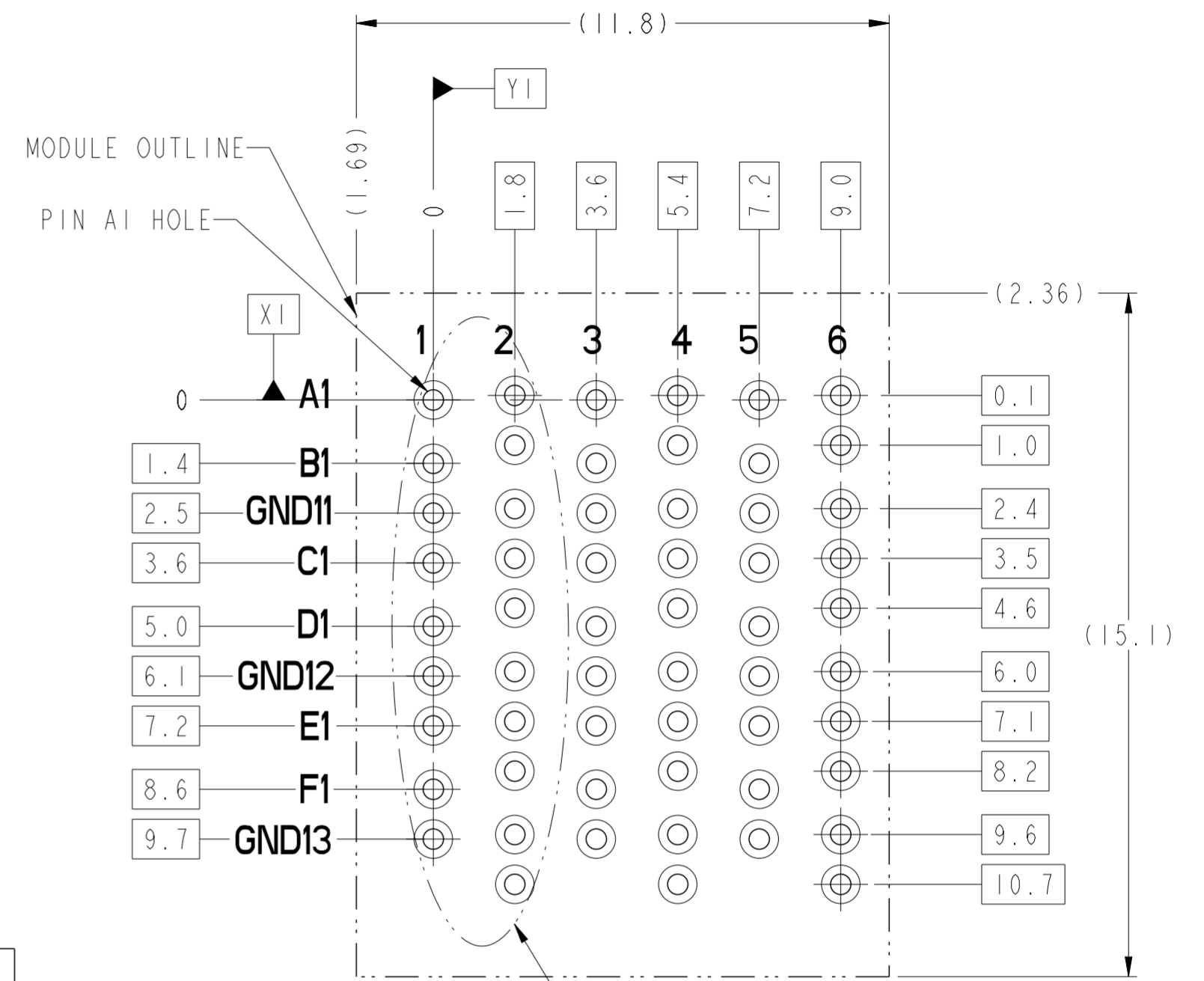
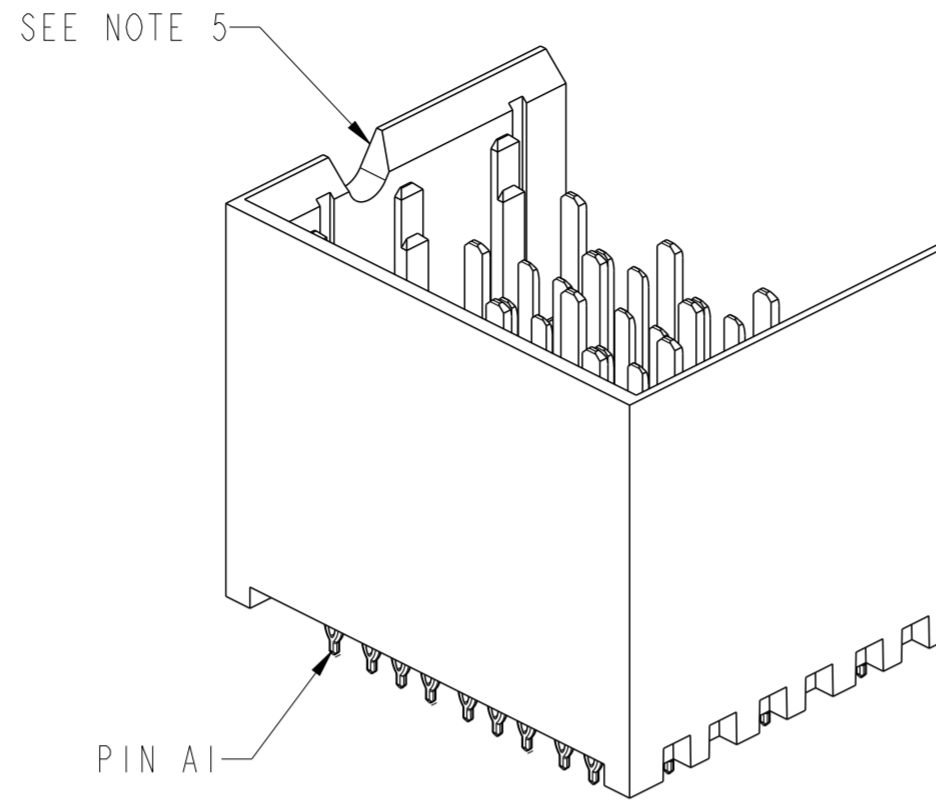
BP HOLE PATTERN COMPONENT SIDE

OPEN WALL MODULE BACKPLANE FOOTPRINT

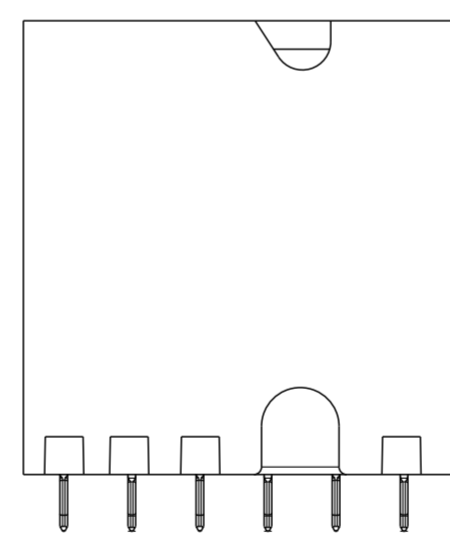
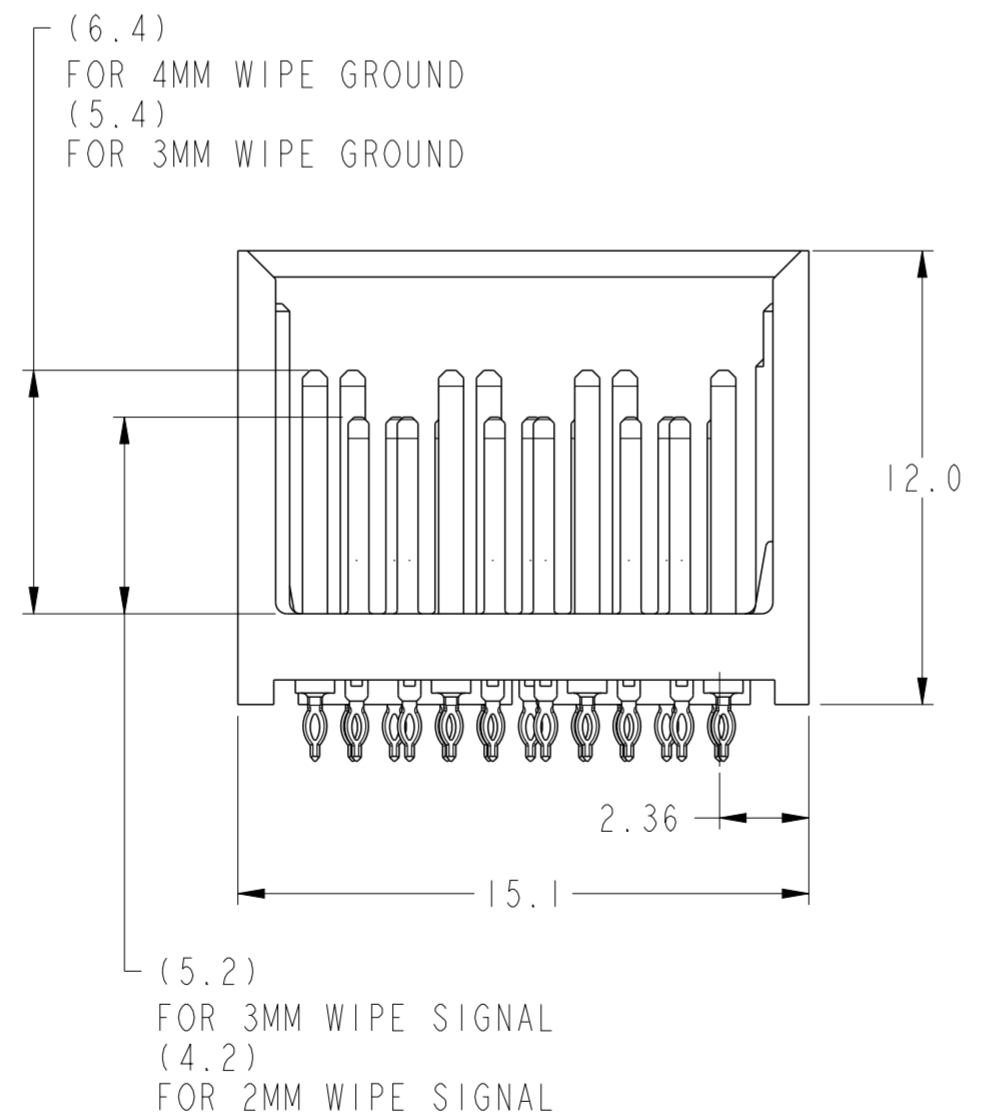
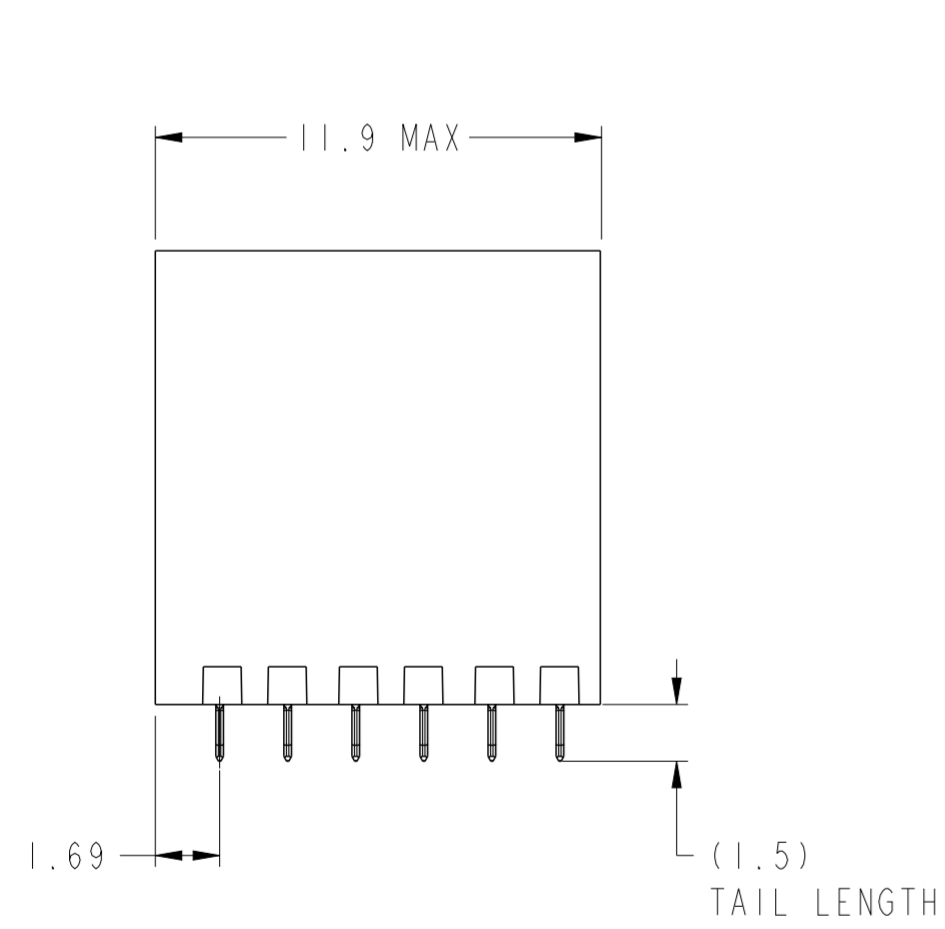
| | | | | | | | | | | |
|---------------------------------------|---------------------|---------|------------|------------|-------------|--|--------------------|------------------------|------------------------|--------------|
| spec ref | - | dr | Mary Glass | 2012/02/02 | projection | MM | size | A2 | scale | 5:1 |
| tolerance std | ISO 406 ISO 1101 | eng | Sandar Soe | 2013/03/20 | | | ecn no | ELX-8-14229-1 | rel level | Released |
| TOLERANCES UNLESS OTHERWISE SPECIFIED | | chr | - | apppr | | | | | | |
| surface | ISO 1302 | linear | 0.X | ±0.3 | | FCI XCEDE HD VERTICAL HEADER 3 PAIR, 6 COLUMN STITCH HEADER | dwg no 10119128 | rev B | Product - Customer Drw | sheet 2 of 8 |
| | | | 0.XX | ±0.10 | | | | | | |
| | | | 0.XXX | ±0.05 | | | | | | |
| | | angular | 0° | ±2° | www.fci.com | cat. no. | - | Product - Customer Drw | sheet 2 of 8 | |



LEFT WALL MODULE



BP HOLE PATTERN COMPONENT SIDE
LEFT WALL MODULE BACKPLANE FOOTPRINT



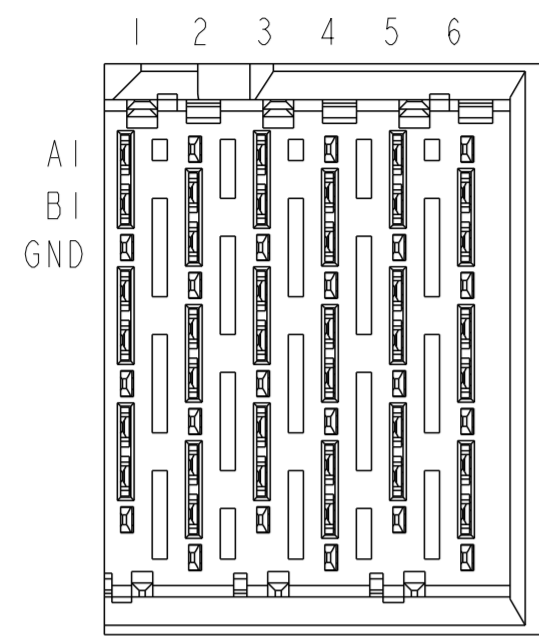
Copyright FCI.
FCI

| | | | | | | | | | | | |
|---------------------------------------|---------------------|---------|------------|------------|------------|--|---------------|---------------|----------------|------------------------|--------------|
| spec ref | - | dr | Mary Glass | 2012/02/02 | projection | MM | size | A2 | scale | 5:1 | |
| tolerance std | ISO 406 ISO 1101 | eng | Sandar Soe | 2013/03/20 | | | ecn no | ELX-S-14229-1 | | | |
| TOLERANCES UNLESS OTHERWISE SPECIFIED | | chr | - | appr | | | Chen-Hong Tan | 2013/04/09 | product family | XCEDE HD | rel level |
| surface | ISO 1302 | linear | 0.X | ±0.3 | | FCI XCEDE HD VERTICAL HEADER 3 PAIR, 6 COLUMN STITCH HEADER | dwg no | 10119128 | | | |
| | | angular | 0° | ±2° | | | www.fci.com | cat. no. | - | Product - Customer Drw | sheet 3 of 8 |
| | | | | | | | | | | | |

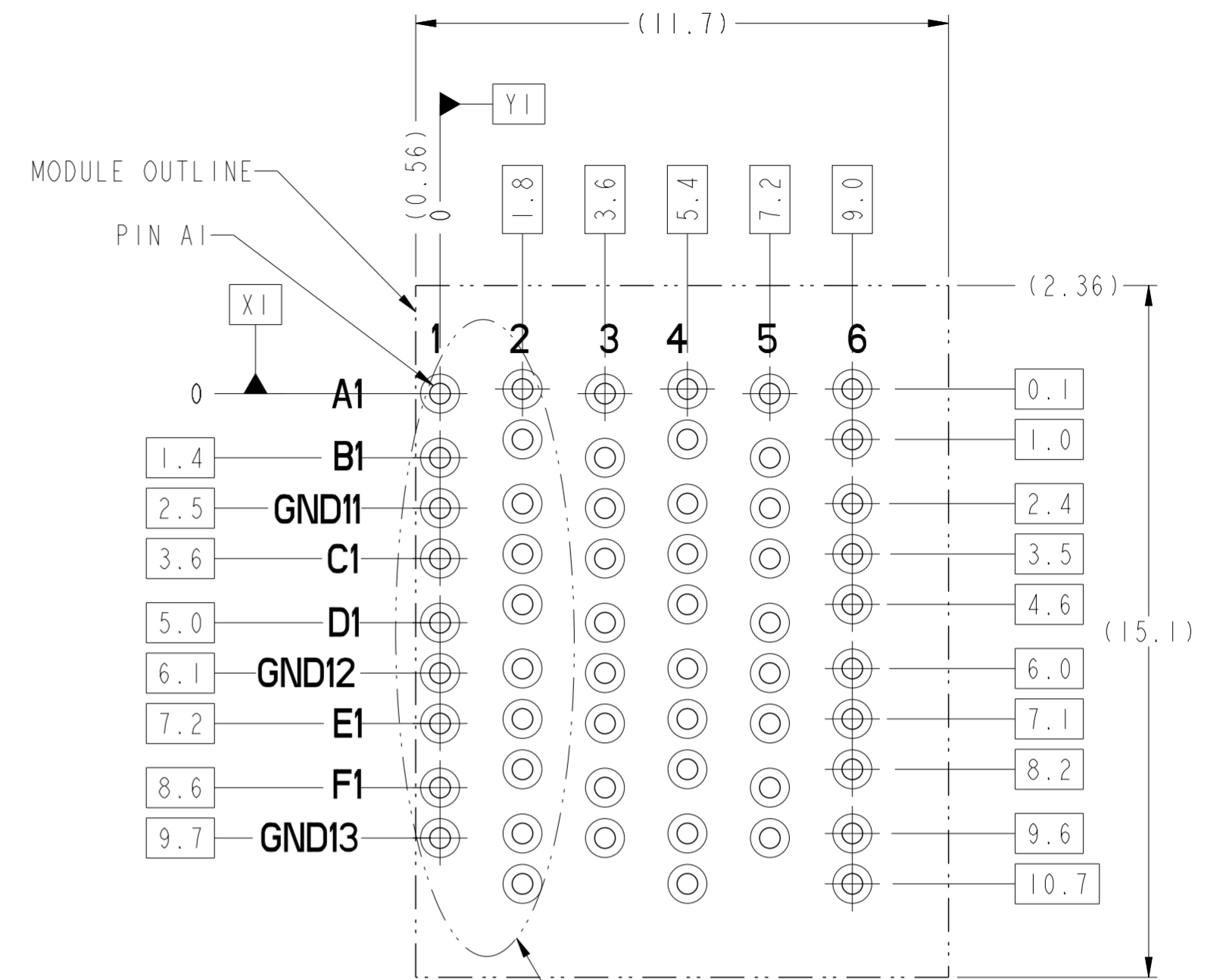
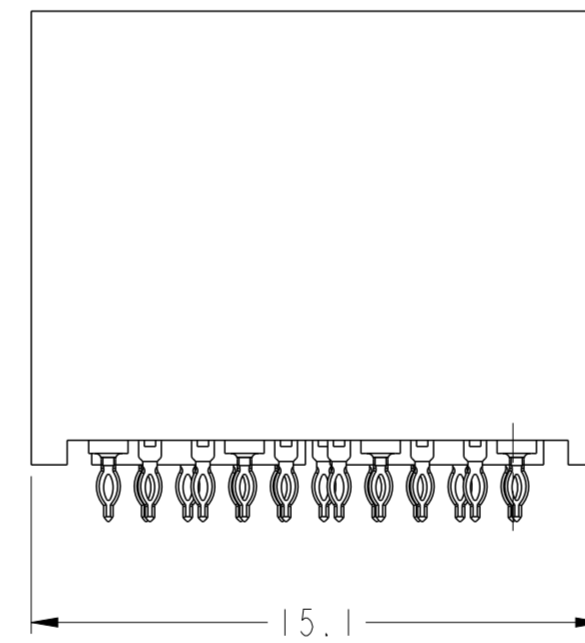
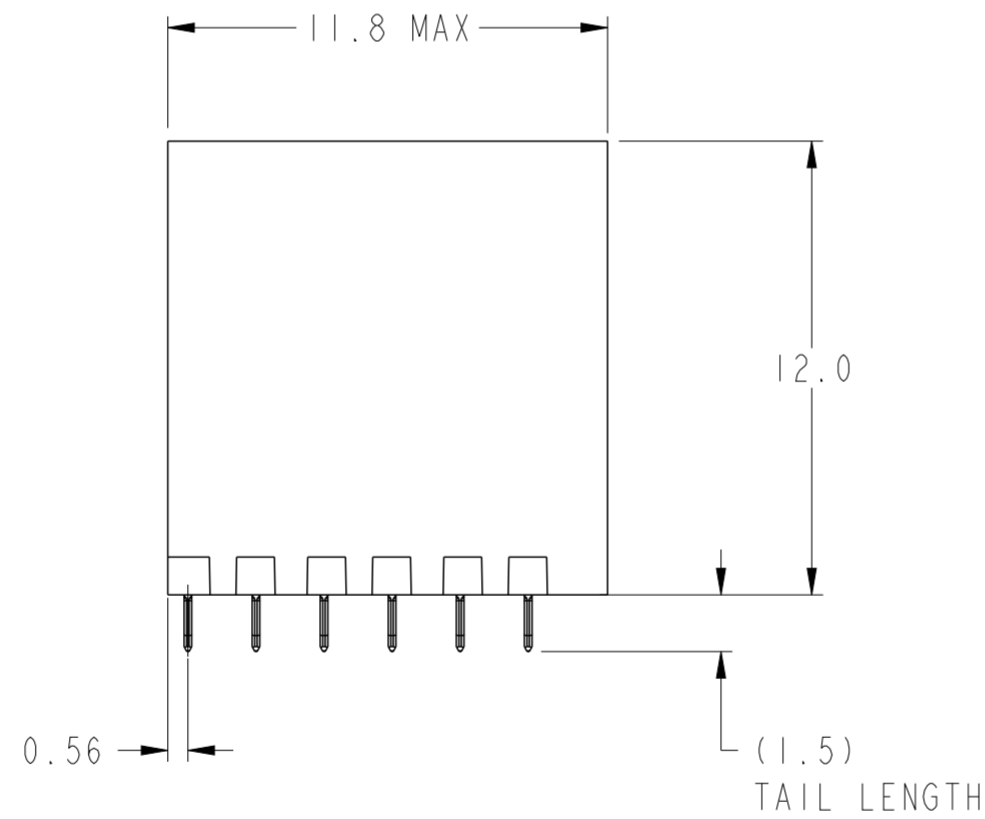
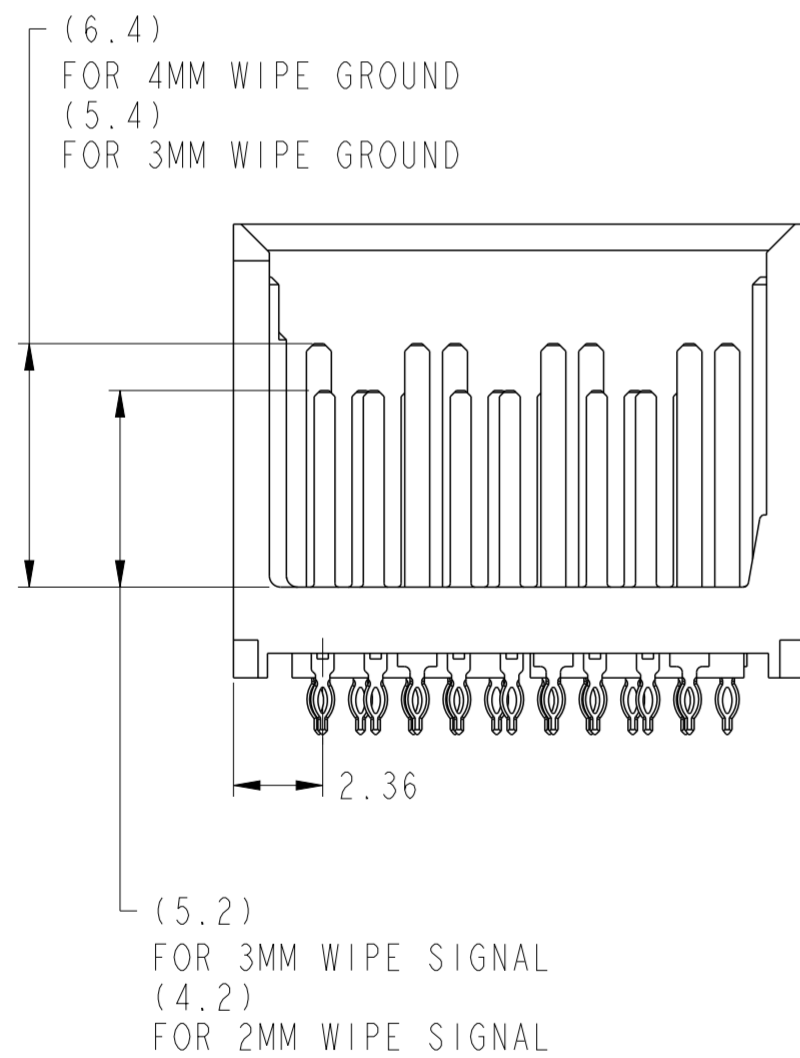
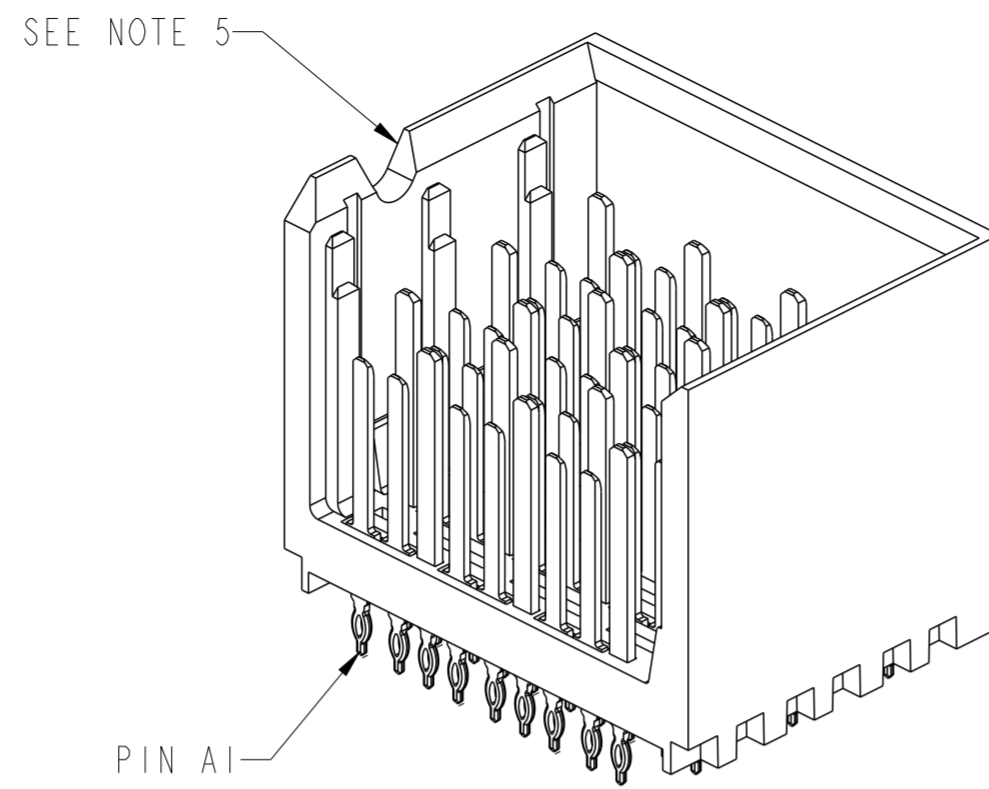
PDS: Rev :B

STATUS:Released

Printed: Apr 10, 2013



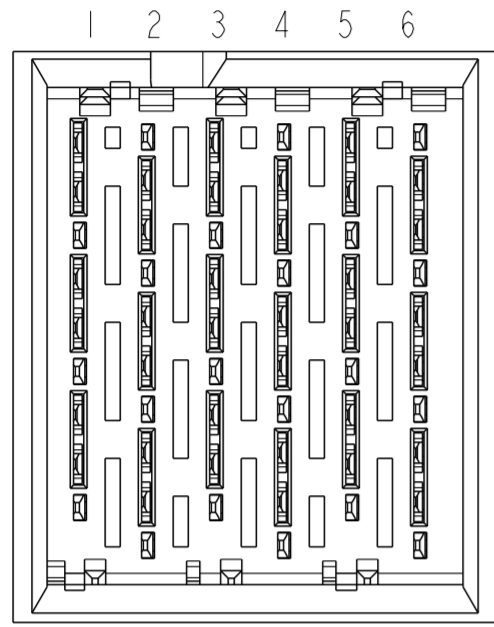
RIGHT WALL MODULE



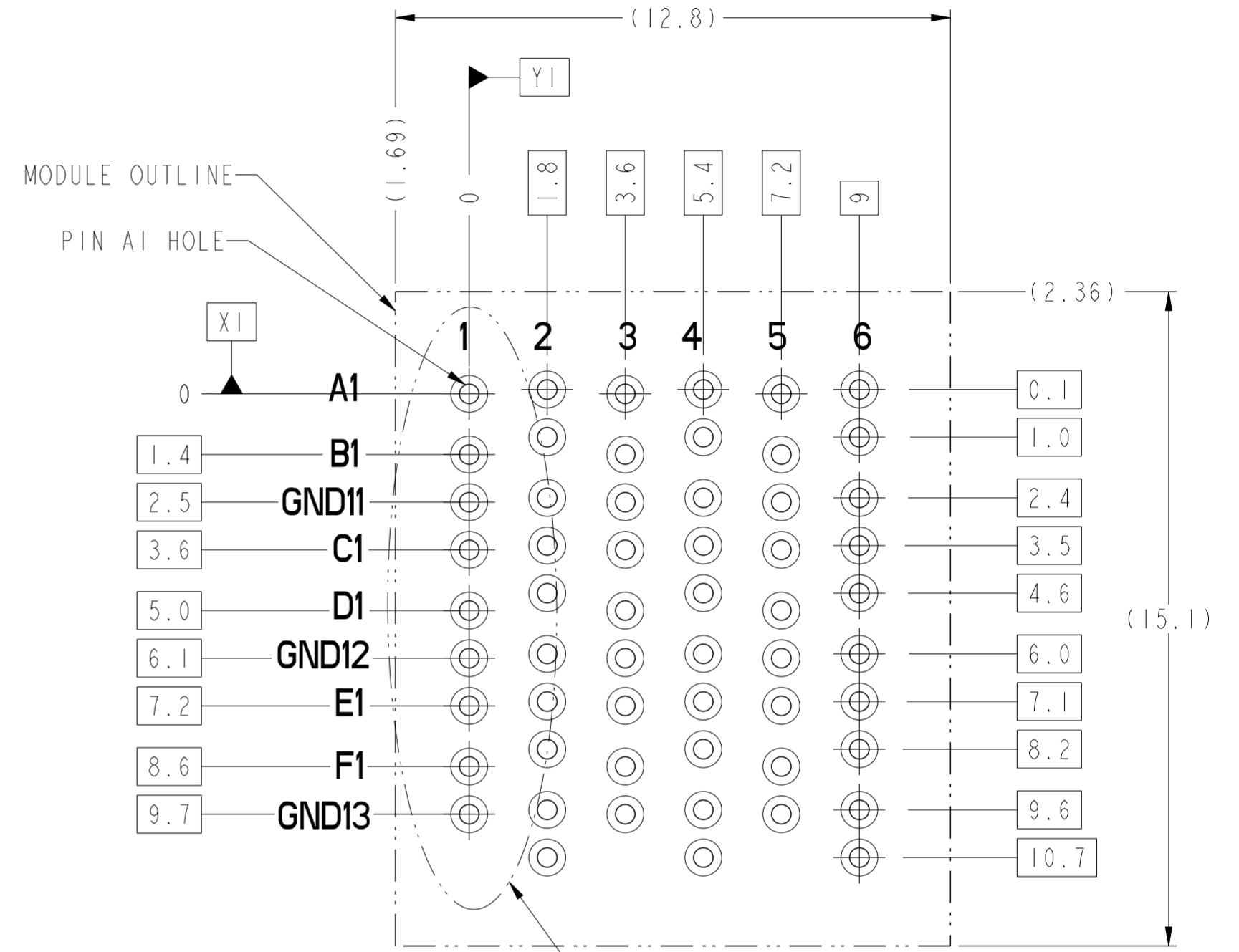
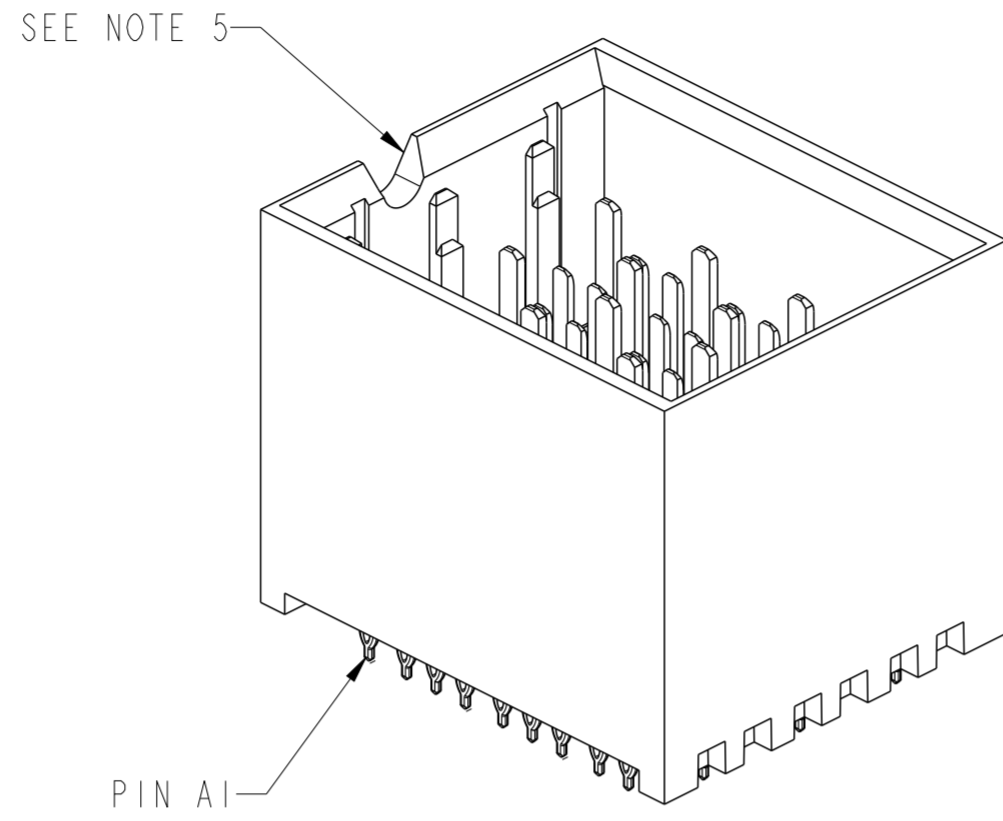
SEE DETAIL A ON SHEET 8 FOR PINOUT DETAILS

BP HOLE PATTERN COMPONENT SIDE
RIGHT WALL MODULE BACKPLANE FOOTPRINT

| | | | | | | | | | | | |
|---------------------------------------|---------------------|--------|------------|-------------|------------|--|--------------------|---------------|------------------------|----------|---------------|
| spec ref | - | dr | Mary Glass | 2012/02/02 | projection | MM | size | A2 | scale | 5:1 | |
| tolerance std | ISO 406 ISO 1101 | eng | Sandar Soe | 2013/03/20 | | | ecn no | ELX-8-14229-1 | rel level | Released | |
| TOLERANCES UNLESS OTHERWISE SPECIFIED | | chr | - | appr | | | | | | | Chen-Hong Tan |
| surface | ISO 1302 | linear | 0.X | ±0.3 | | XCED HD VERTICAL HEADER 3 PAIR, 6 COLUMN STITCH HEADER | dwg no 10119128 | rev B | Product - Customer Drw | | |
| | angular | 0° | ±2° | www.fci.com | | | | | cat. no. | - | sheet 4 of 8 |
| | | | | | | | | | | | |



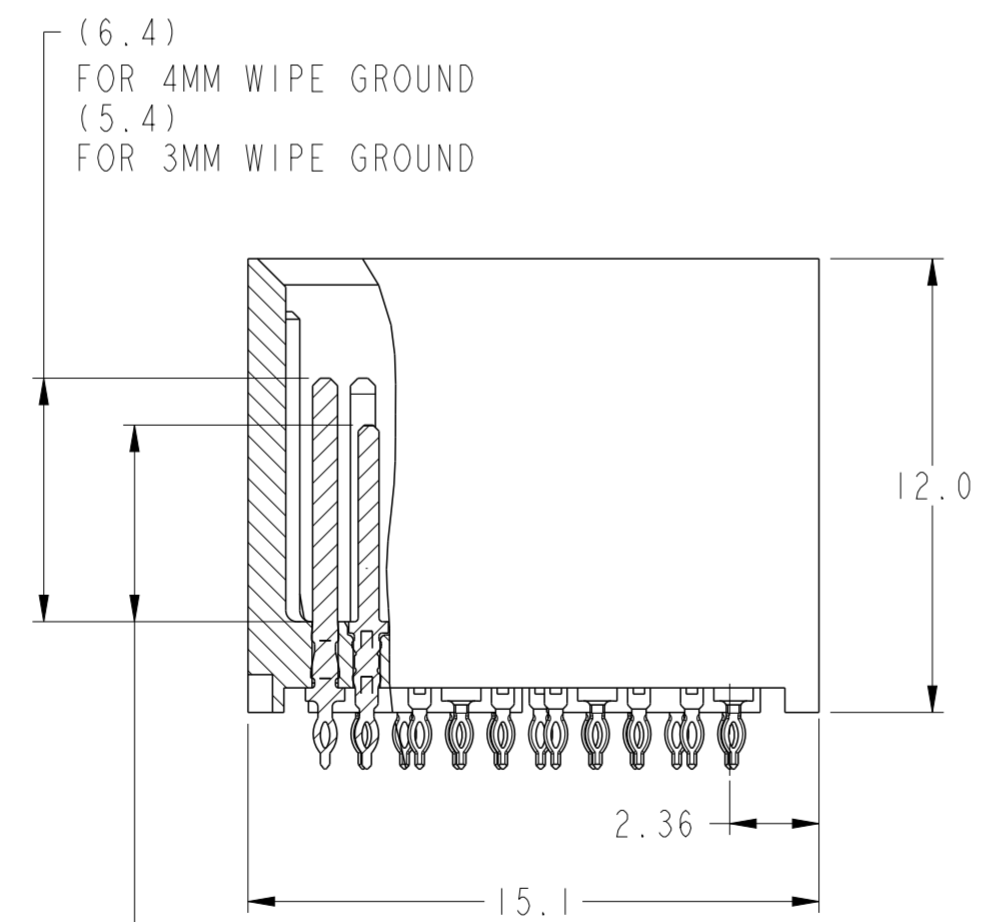
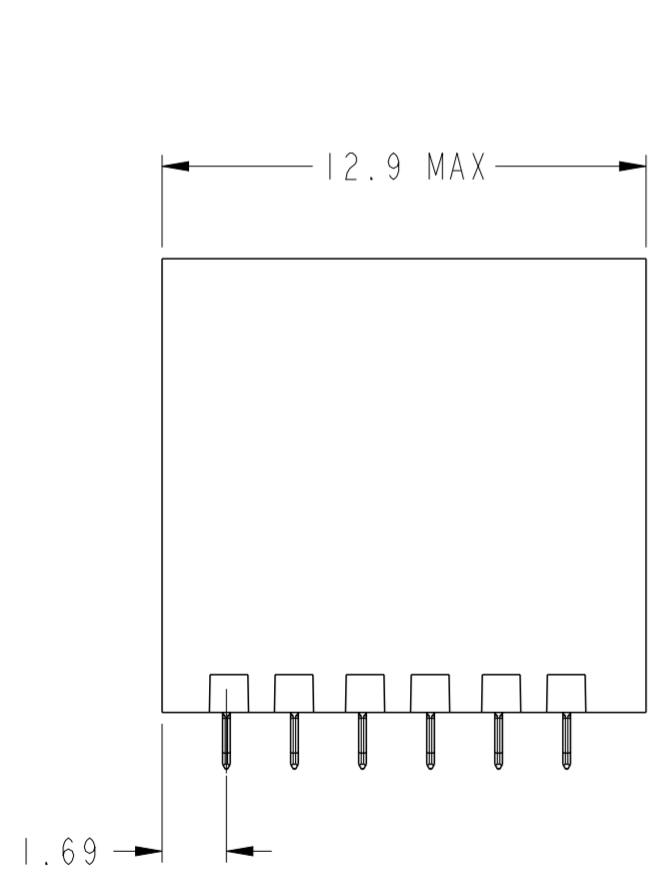
FOUR WALL MODULE



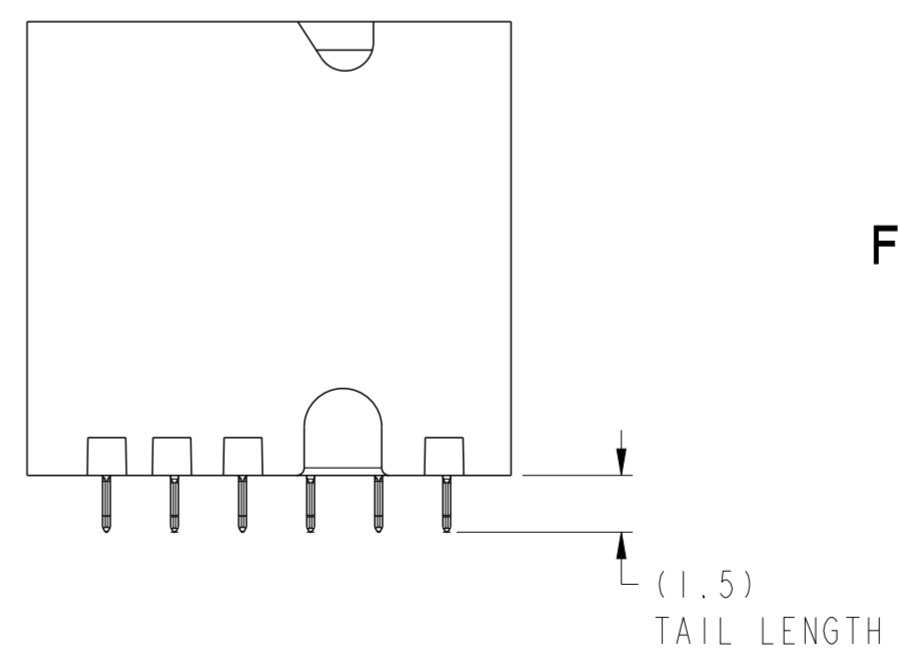
SEE DETAIL A ON SHEET 8 FOR PINOUT DETAILS

BP HOLE PATTERN COMPONENT SIDE

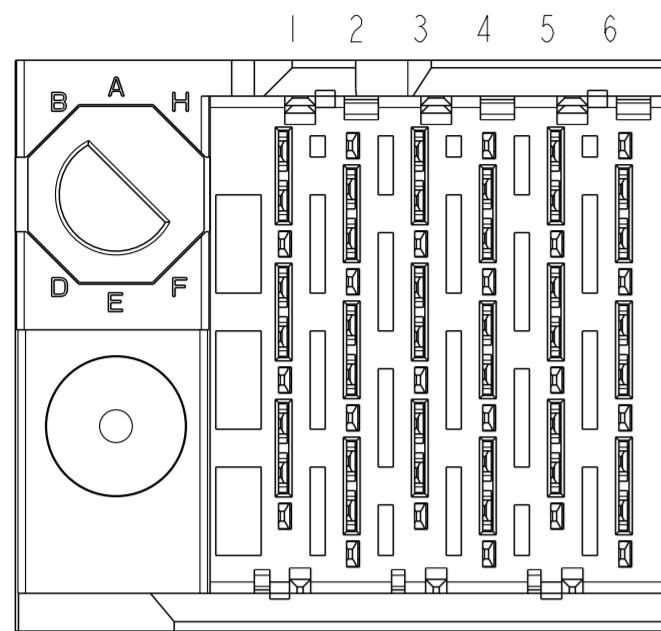
FOUR WALL MODULE BACKPLANE FOOTPRINT



(5.2) FOR 3MM WIPE SIGNAL
(4.2) FOR 2MM WIPE SIGNAL

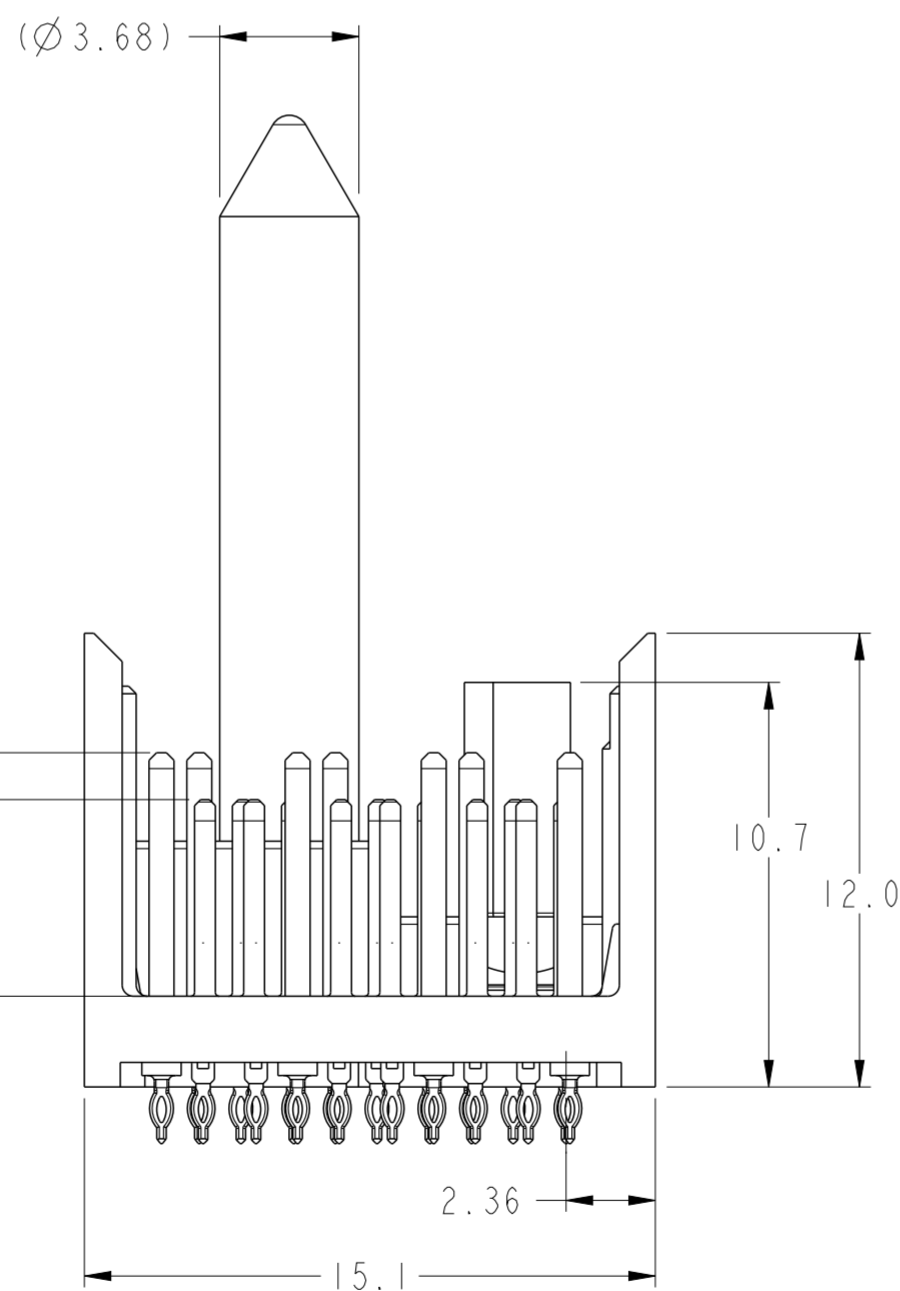
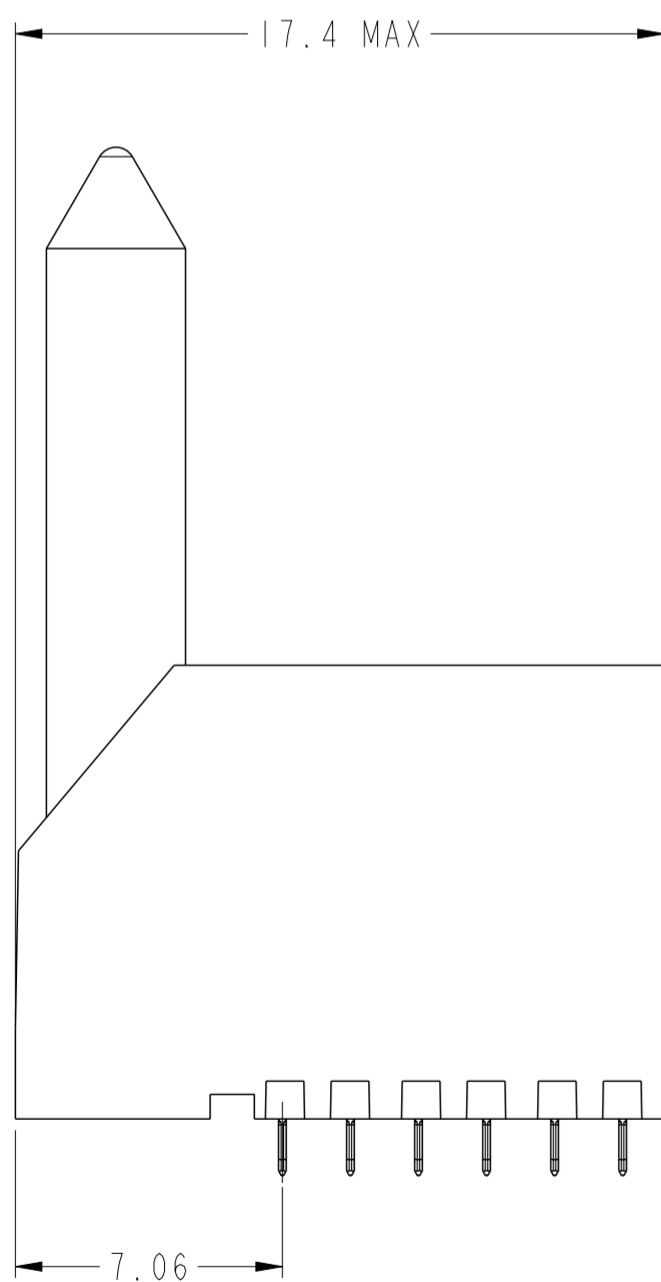
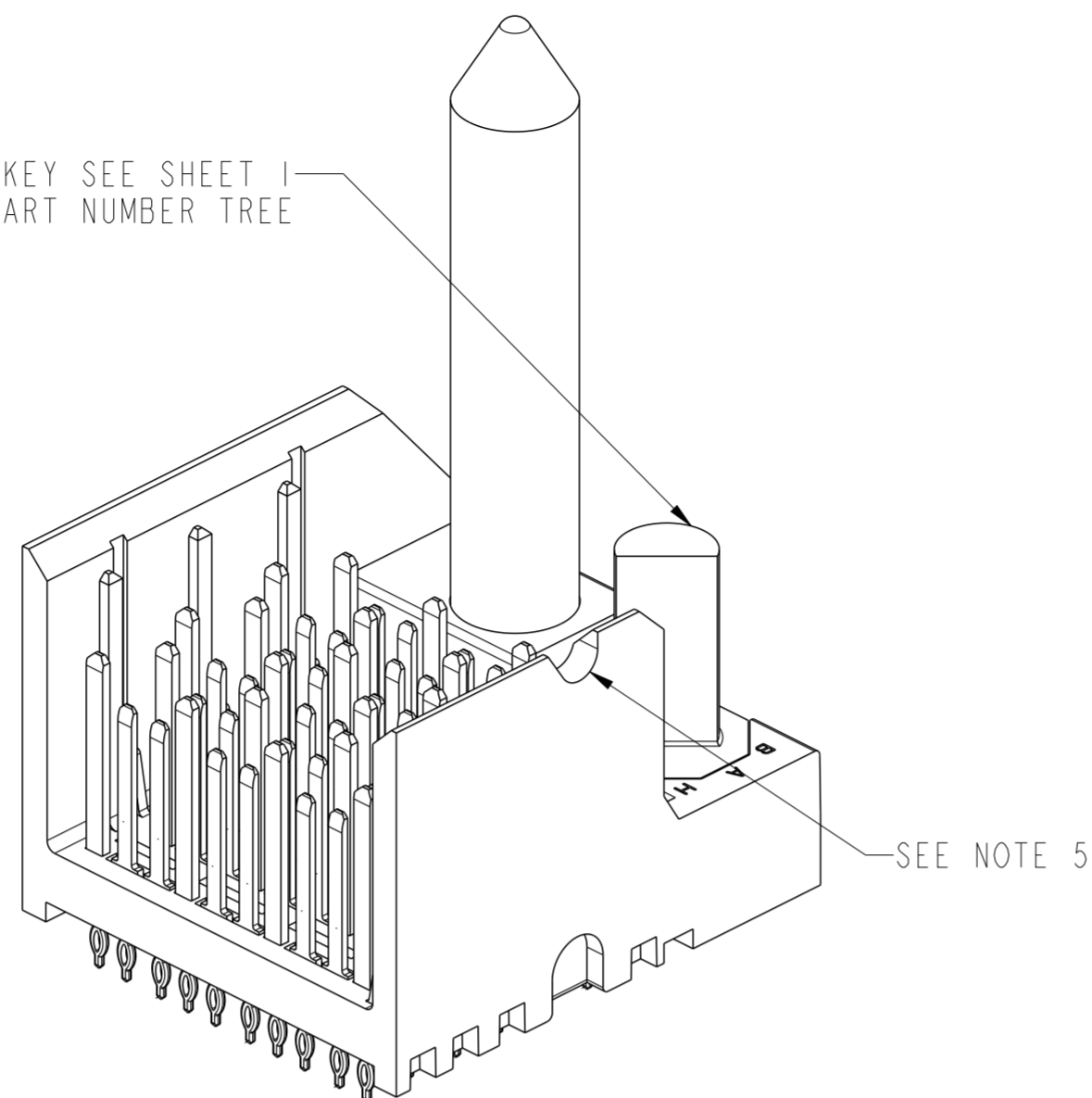


| | | | | | | | | | | |
|---------------------------------------|---------------------|-------|---------------|----------------|-------------|--------------------------|--------|-------------------------|--------------|----------|
| spec ref | - | dr | Mary Glass | 2012/02/02 | projection | MM | size | A2 | scale | 5:1 |
| tolerance std | ISO 406 ISO 1101 | eng | Sandar Soe | 2013/03/20 | | | ecn no | ELX-8-14229-1 | rel level | Released |
| TOLERANCES UNLESS OTHERWISE SPECIFIED | | chr | - | product family | | | | | | |
| surface | ISO 1302 | appr | Chen-Hong Tan | 2013/04/09 | title | XCEDE HD VERTICAL HEADER | dwg no | 10119128 | rev | B |
| | linear | 0.X | ±0.3 | | | | | | | |
| | | 0.XX | ±0.10 | | | | | | | |
| | | 0.XXX | ±0.05 | | | | | | | |
| | angular | 0° | ±2° | | www.fci.com | cat. no. | - | Product - Customer Draw | sheet 5 of 8 | |

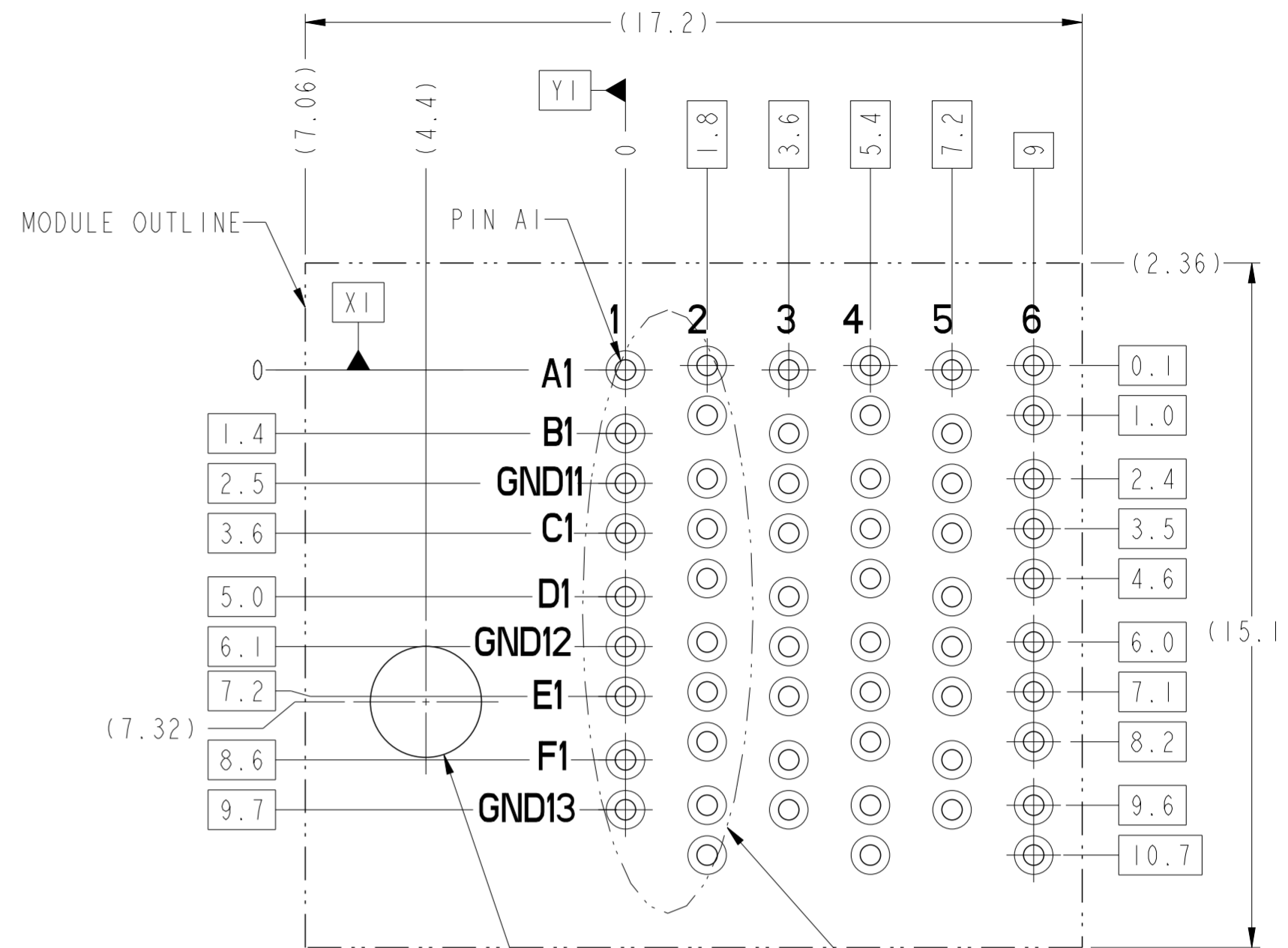


LEFT POLARIZING / GUIDE MODULE

OPTIONAL KEY SEE SHEET 1
PART NUMBER TREE



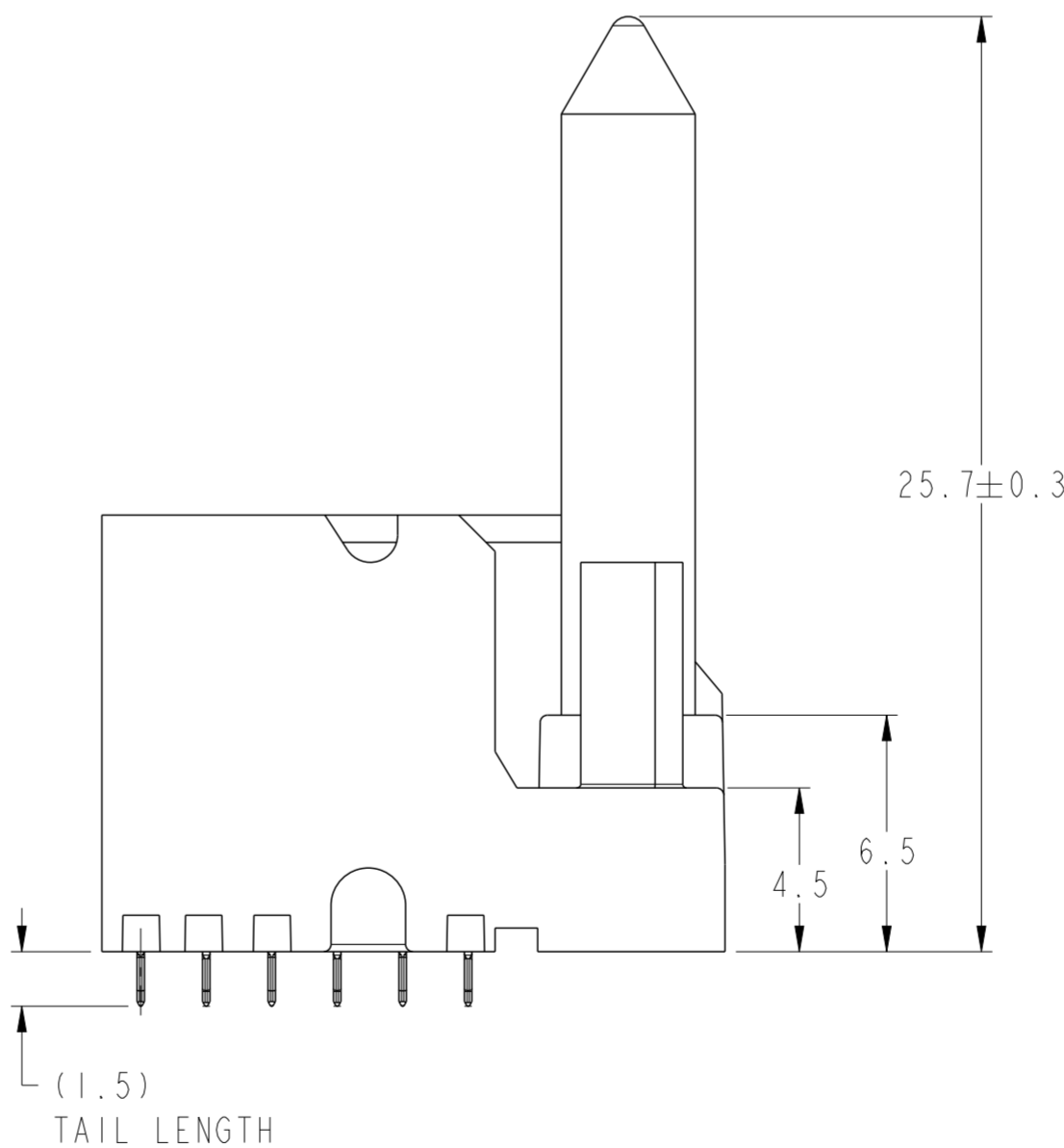
(5.2)
FOR 3MM WIPE SIGNAL
(4.2)
FOR 2MM WIPE SIGNAL
(6.4)
FOR 4MM WIPE GROUND
(5.4)
FOR 3MM WIPE GROUND



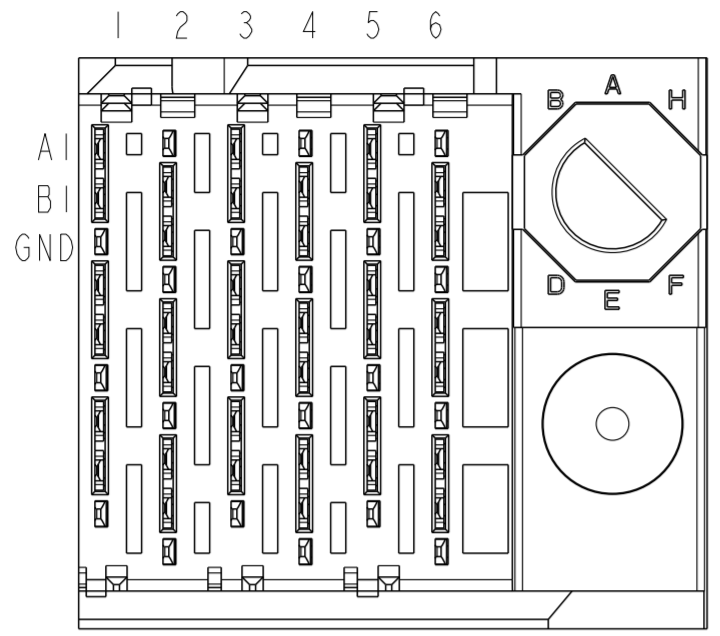
SEE DETAIL A
ON SHEET 8 FOR
PINOUT DETAILS

Ø 2.55
Ø 2.35
Ø 0.15 XI YI
SEE NOTE 11 & TABLE 1

BP HOLE PATTERN COMPONENT SIDE
LEFT POLARIZING / GUIDE MODULE
BACKPLANE FOOTPRINT



| | | | | | | | | | | |
|---------------|---------------------------------------|---------|---------------|-------------|------------------------|--------------|----------|---------------|-----------|----------|
| spec ref | - | dr | Mary Glass | 2012/02/02 | projection | MM | size | A2 | scale | 5:1 |
| tolerance std | ISO 406 ISO 1101 | eng | Sandar Soe | 2013/03/20 | chr | - | ecn no | ELX-8-14229-1 | rel level | Released |
| surface | ISO 1302 | appr | Chen-Hong Tan | 2013/04/09 | product family | XCEDE HD | cat. no. | 10119128 | rev | B |
| linear | 0.X ±0.3 0.XX ±0.10 0.XXX ±0.05 | angular | 0° ±2° | www.fci.com | Product - Customer Drw | sheet 6 of 8 | | | | |

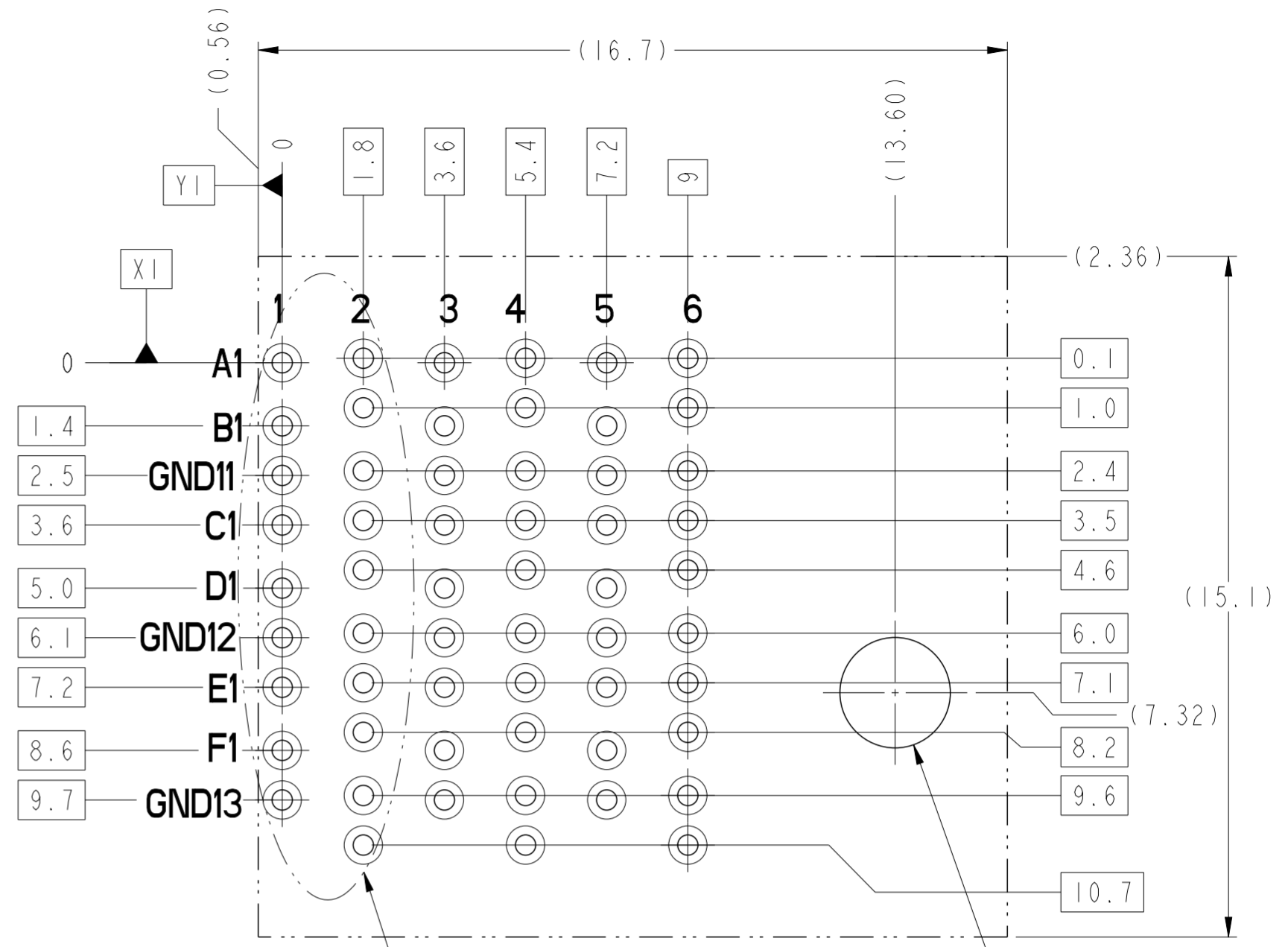
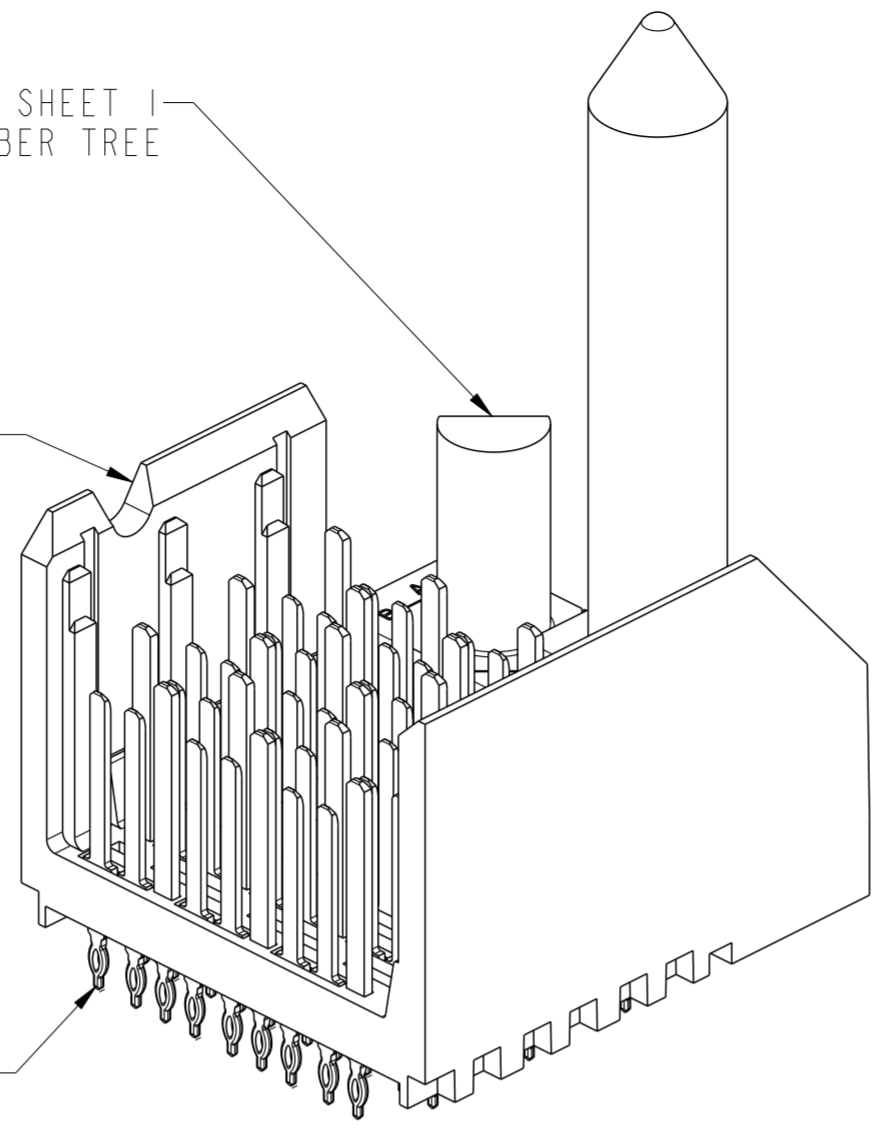


RIGHT POLARIZING / GUIDE MODULE

OPTIONAL KEY SEE SHEET 1
PART NUMBER TREE

SEE NOTE 5

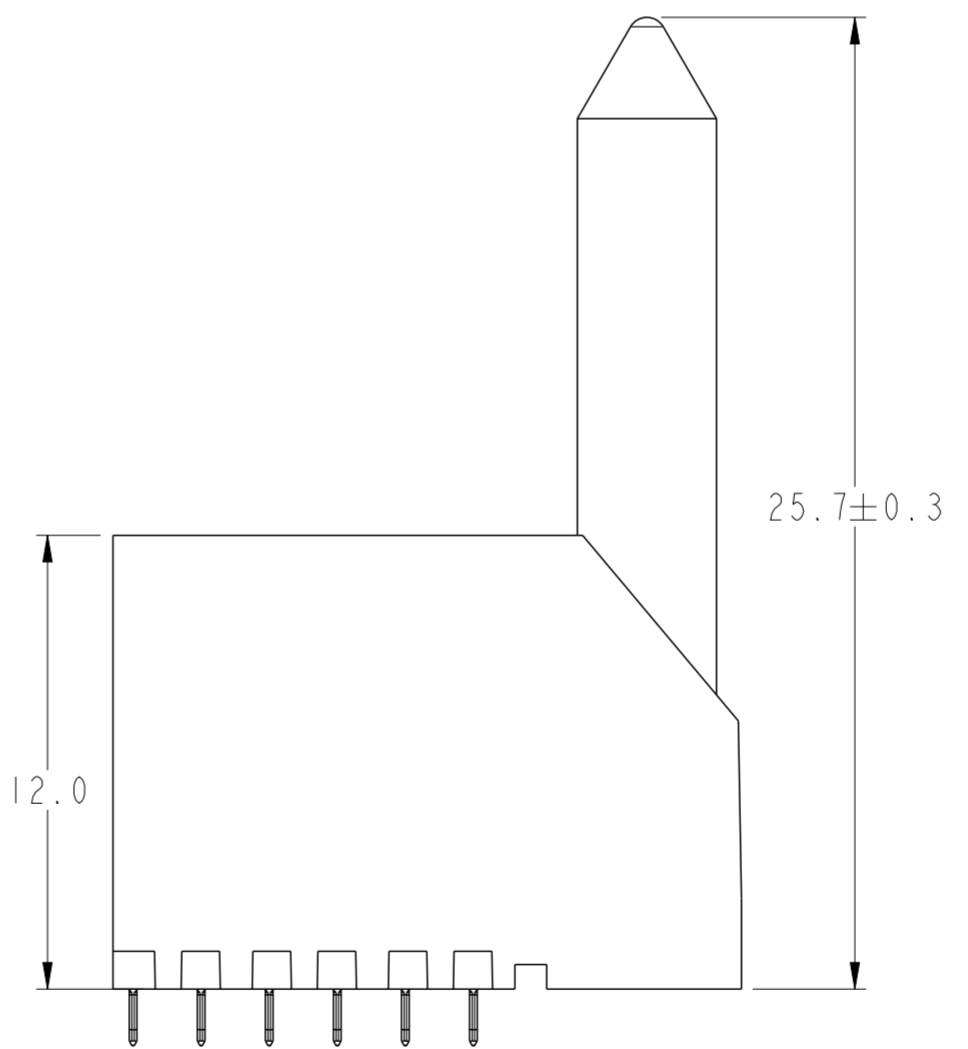
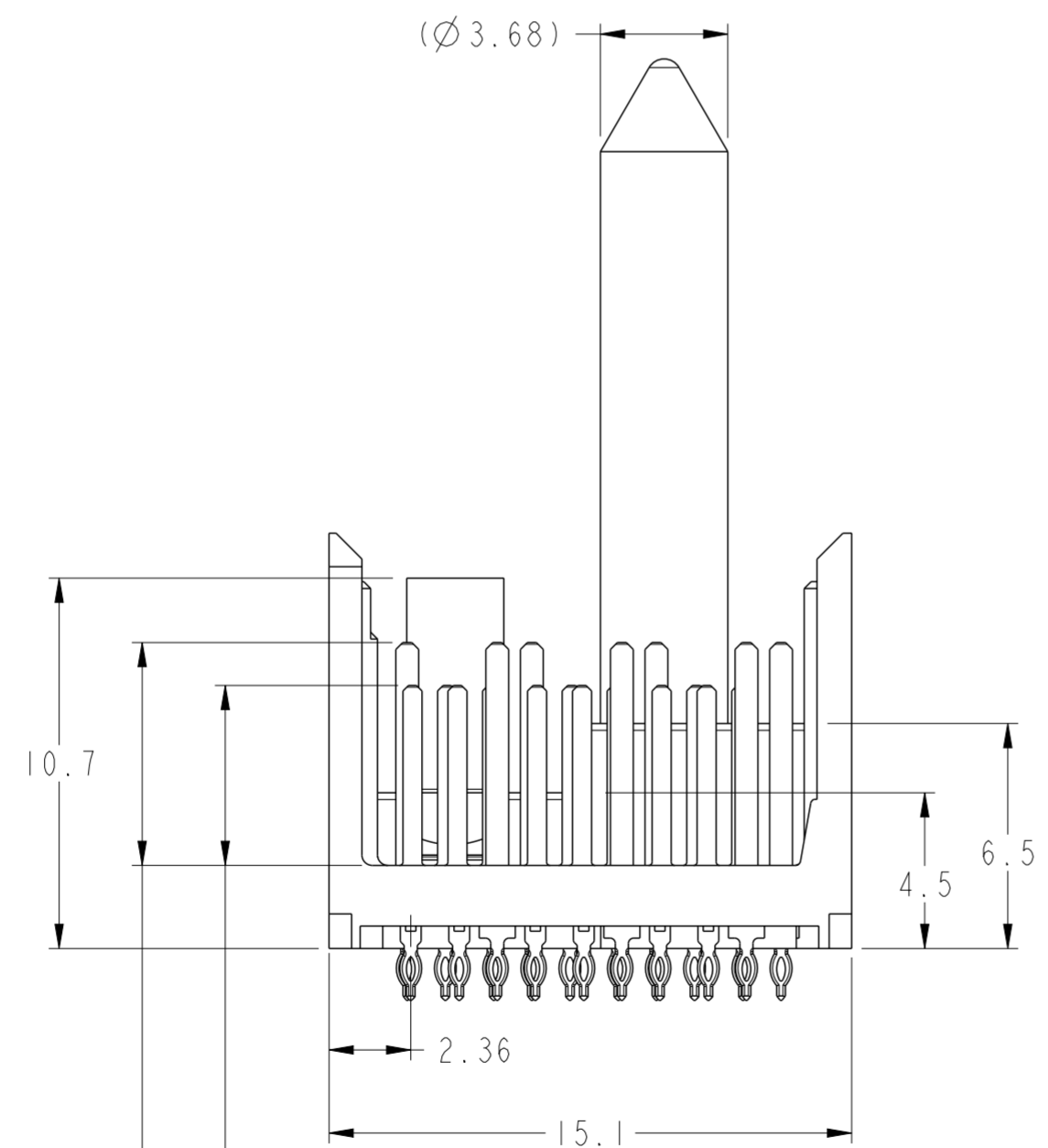
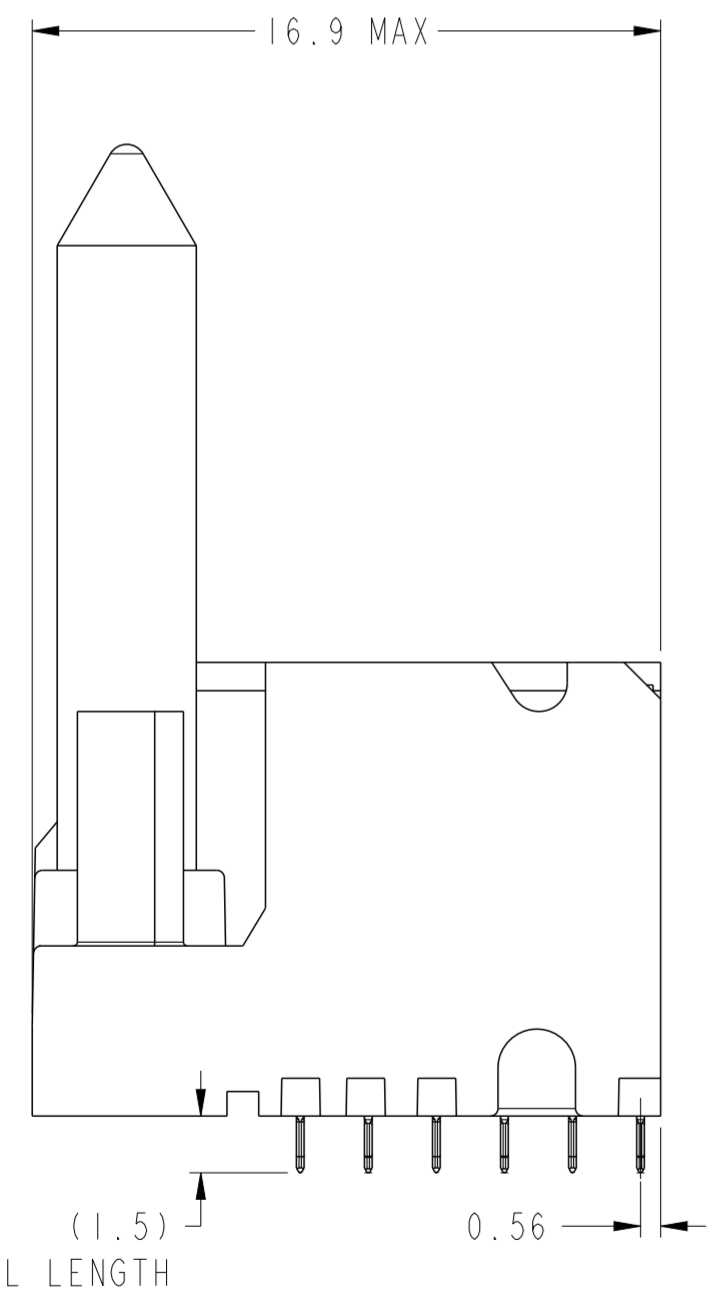
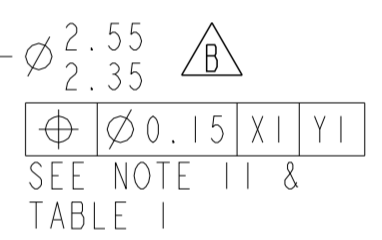
PIN A1



SEE DETAIL A
ON SHEET 8 FOR PINOUT DETAILS

BP HOLE PATTERN COMPONENT SIDE

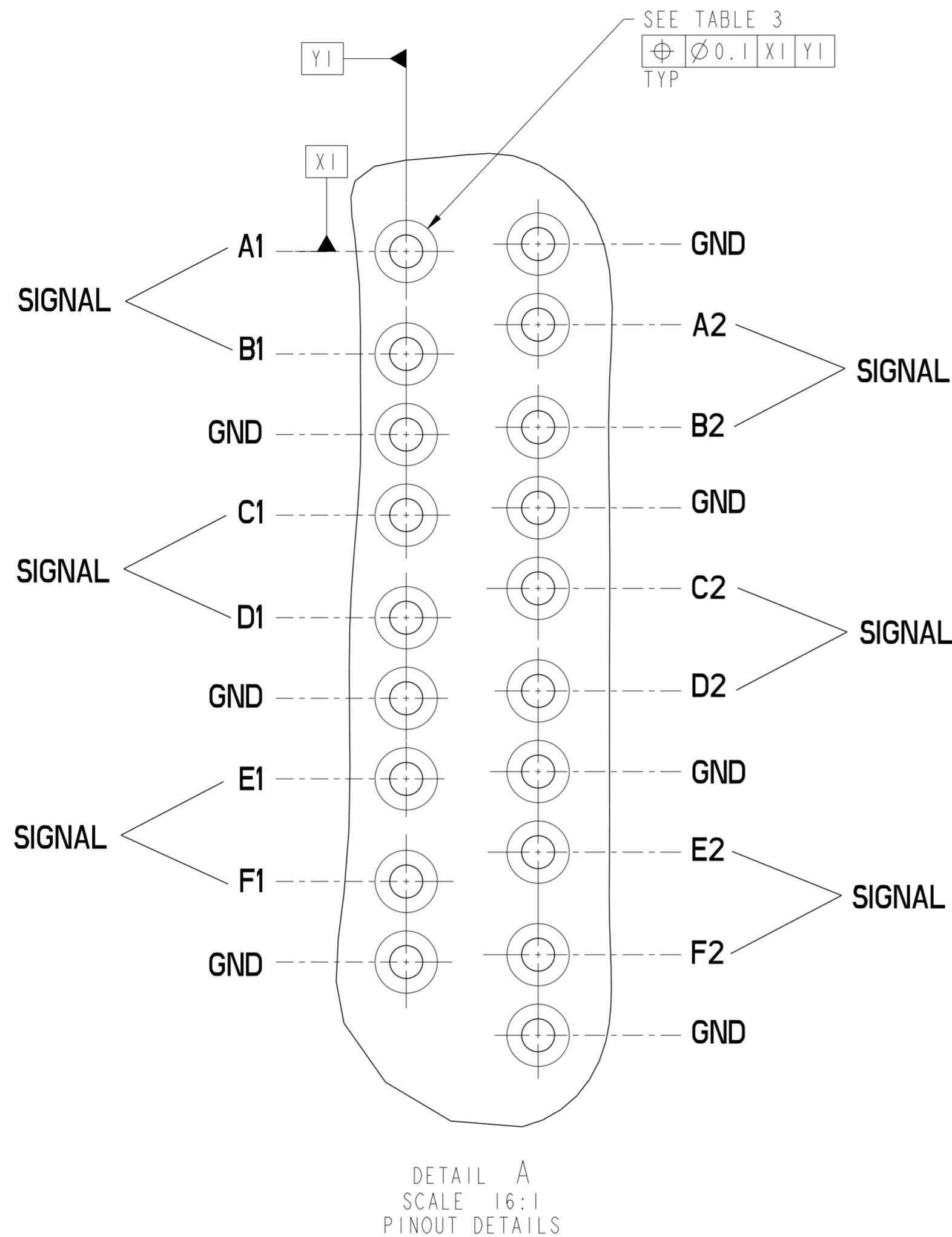
RIGHT POLARIZING / GUIDE MODULE
BACKPLANE FOOTPRINT



- (5.2) FOR 3MM WIPE SIGNAL
- (4.2) FOR 2MM WIPE SIGNAL
- (6.4) FOR 4MM WIPE GROUND
- (5.4) FOR 3MM WIPE GROUND

Copyright FCI.

| | | | | | | | | | | |
|-------------------------------------|---------------------------------------|---------|---------------|-------------|----------------|--|-----------|---------------|-----------|----------|
| spec ref | - | dr | Mary Glass | 2012/02/02 | projection | MM | size | A2 | scale | 5:1 |
| tolerance std | ISO 406 ISO 1101 | eng | Sandar Soe | 2013/03/20 | chr | - | ecn no | ELX-8-14229-1 | rel level | Released |
| surface | ISO 1302 | appr | Chen-Hong Tan | 2013/04/09 | product family | XCEDE HD | rel level | Released | cat. no. | 10119128 |
| linear | 0.X ±0.3 0.XX ±0.10 0.XXX ±0.05 | angular | 0° ±2° | www.fci.com | title | XCEDE HD VERTICAL HEADER 3 PAIR, 6 COLUMN STITCH HEADER | dwg no | 10119128 | rev | B |
| Product - Customer Drw sheet 7 of 8 | | | | | | | | | | |



| TABLE 3 | | |
|---------|--|--|
| | COMPLIANT PIN DRILL $\varnothing 0.55[0.0217"]$ | COMPLIANT PIN DRILL $\varnothing 0.45[0.0117"]$ |
| PTH | $\varnothing 0.45 \pm 0.05$ | $\varnothing 0.36 \pm 0.05$ |
| DRILL | $\varnothing 0.55[0.0217"]$ | $\varnothing 0.45[0.0117"]$ |
| PAD | $\varnothing 0.85$ | $\varnothing 0.75$ |

NOTES:

- CONNECTOR MATERIALS
 SHROUD : HIGH-TEMP POLYMER, COLOR : BLACK, UL94V-0
 CONTACTS : HIGH PERFORMANCE COPPER ALLOY
- PRODUCT SPECIFICATION : GS-12-0936
- APPLICATION SPECIFICATION : GS-20-0348
- PRODUCT MARKING :
 PART NUMBER (10119128-X0C-XXXLF)
 "FCI" AND DATE CODE (FCI P#####)
- NOTCH DESIGNATES "ROW A" SIDE OF CONNECTOR. NOTCH FEATURE ON OPPOSITE FOR PRODUCT MARKING.
- PLATING THICKNESS OF SIGNAL & GROUND CONTACT ARE DETERMINED BY PLATING CODE, REFER TO P/N TREE ON SHEET 1.
- PACKAGING MEETS GS-14-920 LEAD-FREE LABELING SPECIFICATION.
- GUIDE-PIN STYLE DESIGNATION ONLY APPLIES TO MODULE VERSIONS THAT REQUIRE GUIDE-PIN HARDWARE. FOR ALL NON-GUIDE-PIN VERSIONS, THE DEFAULT DASH-NUMBER DIGIT IN THAT LOCATION IS STILL "0".
- SEE APPLICATION SPECIFICATION FOR ROUTING GUIDELINES, ADDITIONAL PTH GUIDELINES, MATED DIMENSIONS, GUIDE PIN SELECTION, ETC.
- A $\triangle B$ SYMBOL WILL BE NEXT TO ANY DIMENSION, VIEW OR NOTE THAT HAS BEEN MODIFIED WITH THE CURRENT DRAWING REVISION.
- $\triangle B$ (1) OPTIONAL HOLE LOCATION FOR GROUNDED PIN OR ADDITIONAL GUIDE-PIN SUPPORT. SEE TABLE 1 SHEET 1 FOR ADDITIONAL DETAILS.
- $\triangle B$ (2) SCREW IS OPTIONAL AND ENGAGES WITH BOTTOM OF GUIDE PIN FROM BENEATH THE PCB FOR ADDITIONAL GUIDE-PIN SUPPORT.

| | | | | | | | | | | | |
|---------------------------------------|---------------------|---------|------------|---------------|-------------|----|--------------------------------|--------------------------|-------------------------------------|----------|-----------|
| spec ref | - | dr | Mary Glass | 2012/02/02 | projection | MM | size | A2 | scale | 5:1 | |
| tolerance std | ISO 406 ISO 1101 | eng | Sandar Soe | 2013/03/20 | | | ecn no | ELX-S-14229-1 | | | |
| TOLERANCES UNLESS OTHERWISE SPECIFIED | | chr | - | appr | | | Chen-Hong Tan | 2013/04/09 | product family | XCEDE HD | rel level |
| surface | ISO 1302 | linear | 0.X | ± 0.3 | | | title | XCEDE HD VERTICAL HEADER | | rev | B |
| | | | 0.XX | ± 0.10 | www.fci.com | | 3 PAIR, 6 COLUMN STITCH HEADER | 10119128 | Product - Customer Drw sheet 8 of 8 | | |
| | | angular | 0° | $\pm 2^\circ$ | cat. no. | | | | STATUS: Released | | |