

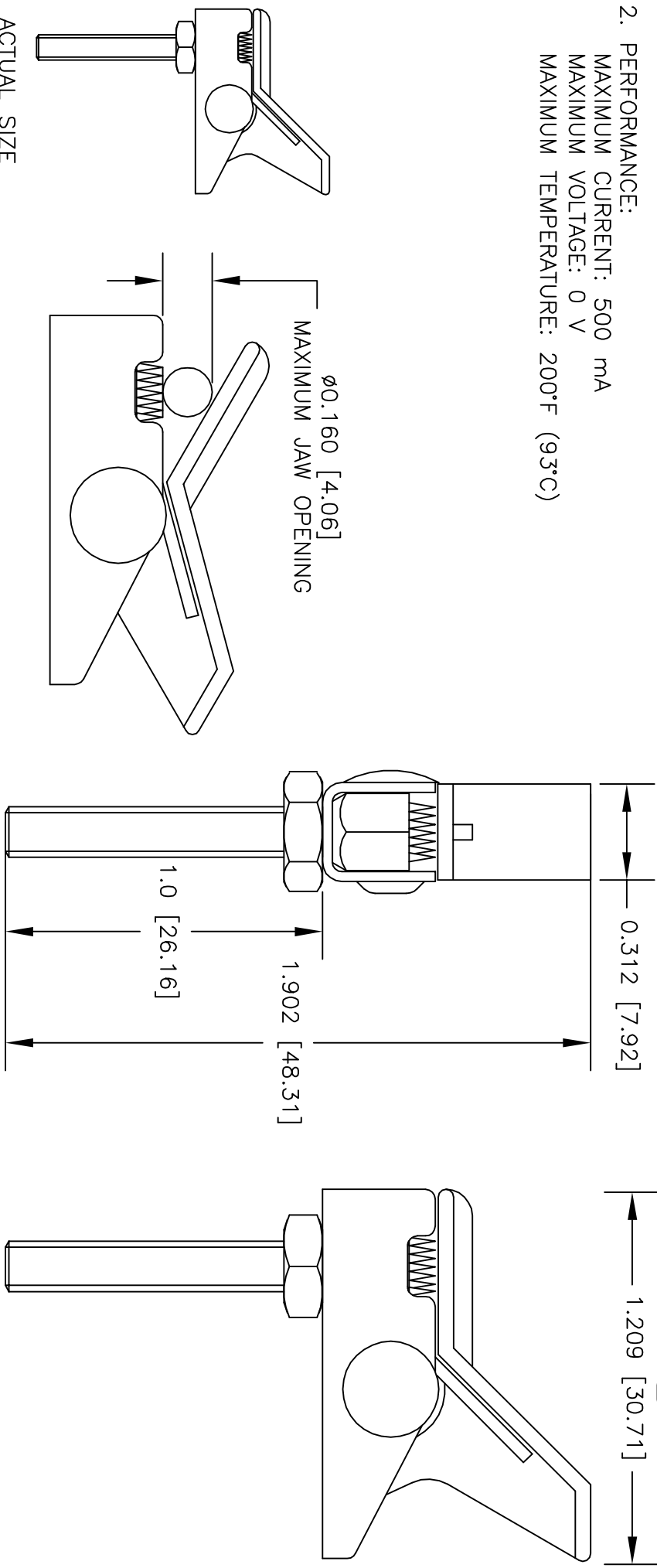
NOTES: UNLESS OTHERWISE SPECIFIED

1. CONSTRUCTION:  
 LEVER: MOLDED NYLON. AVAILABLE IN TEN COLORS.  
 NEEDLE CLUSTER: BRASS CUP HEAD. STEEL NEEDLES.  
 BRIGHT TIN PLATED.

FRAME: STEEL. COPPER, NICKEL & TIN PLATED.  
 HARDWARE: STEEL NUT. 8-32. TRIVALENT STEEL.

2. PERFORMANCE:  
 MAXIMUM CURRENT: 500 mA  
 MAXIMUM VOLTAGE: 0 V  
 MAXIMUM TEMPERATURE: 200°F (93°C)

| LTR | DESCRIPTION | REVISIONS | DATE | APPROVED |
|-----|-------------|-----------|------|----------|
|     |             |           |      |          |



ACTUAL SIZE

|   |        |              |   |                                 |  |
|---|--------|--------------|---|---------------------------------|--|
| UNLESS OTHERWISE SPECIFIED DIMENSIONS ARE IN INCHES TOLERANCES ARE: FRACTIONS DECIMALS ANGLES |        | CONTRACT NO. |   | DESCRIPTION                     |  |
| ±   | .XX ±  | ±            | ± | DRAWN                           | <b>EZ-HOOK</b><br>DIVISION OF TEKTEST INC.<br>ARCADIA, CA 91006 U.S.A.<br><br>INSULATION PIERCING WIRE CLAMP |
| ±   | .XXX ± | ±            | ± | APPROVALS                       |  |
| ±   | .XXX ± | ±            | ± | DATE                            |  |
| MATERIAL SEE NOTE.  |        | APPROVED BY  |   | SIZE CODE IDENT NO. DRAWING NO. |  |
| FINISH SEE NOTE.  |        |              |   | A 08505 82-2                    |  |
| NEXT ASSY USED ON   |        |              |   | SCALE 2:1                       |  |
| APPLICATION DO NOT SCALE DRAWING  |        |              |   | SHEET 1 OF 1                    |  |

THE INFORMATION CONTAINED IN THIS DOCUMENT IS PROPRIETARY TO EZ-HOOK. THE INFORMATION IS NOT TO BE REPRODUCED WITHOUT PRIOR WRITTEN PERMISSION OF EZ-HOOK. DIV. OF TEKTEST INC. MAXIMUM TESTED RATINGS IN A HANDS-FREE CONTROLLED ENVIRONMENT. MAXIMUM RATINGS ARE NOT TO BE USED CONCURRENTLY.