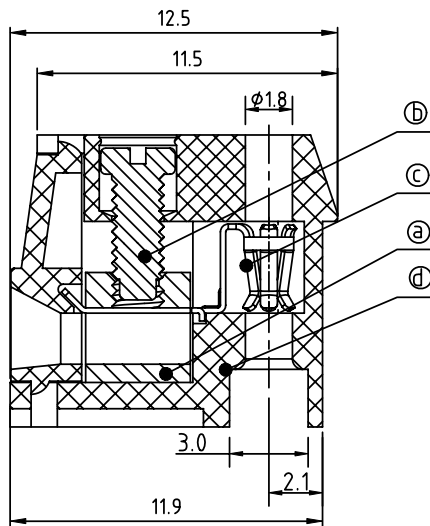
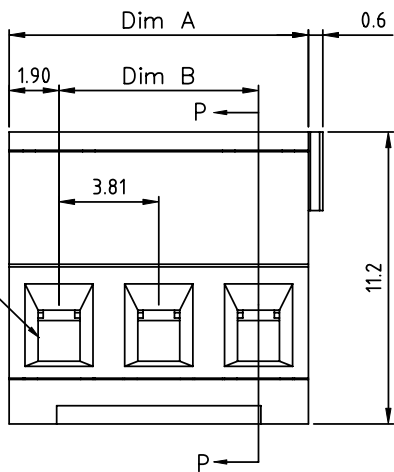
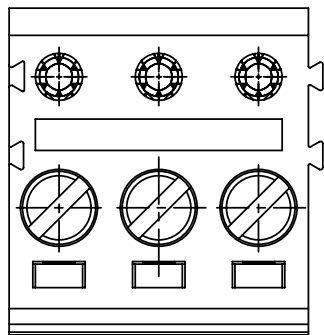




PRODUCT NUMBER	PITCH
TTxx41x000J0G	3.81 mm



Material

- Item Ⓐ Clamp: Brass(CuZn) Ni plated
- Item Ⓑ Terminal screw: Steel Zinc plating "-" slot type
- Item Ⓒ Female contact :PhBz (CuSn) Tin plated
- Item Ⓓ Terminal housing : Thermoplastic (UL94V-0)

Electrical cULus

- Voltage rating: 300V
- Current rating: 10A
- Wire range:
- Solid wire(AWG): 16-28
- Stranded wire(AWG): 16-28
- Torque: 1.7Lb-In
- Screw: M2
- Wire strip length: 5-6mm
- Withstanding Voltage: 1.6KV
- Operating temperature: -40°C to +115°C
- Safety approval:

PART NO.: TT xx 41 x 0 00J0 G

N=Number of poles
Dim A=NX3.81
Dim B=(N-1)X3.81

poles	Tolerance
2P-6p	±0.15
7P-12p	±0.20
13P-18p	±0.30
19P-24p	±0.40

End Stackable	No. of poles	Body Color	RoHS compliant (lead<4%) In copper Alloy
0	2	Black (RAL9005)	
2	3	Red (RAL3001/D)	
3	4	Orange(RAL2011/P)	
4	5	Yellow(RAL1018/A)	
5	6	Green(RAL6018/T)	
6	8	Blue (RAL5015/A)	
8	9	Grey(RAL7035/D)	
9	9	White(RAL1102)	
C	24	Green(RAL6018/U)	

mat'l. code		surface ASME Y14.5	tolerance ASME Y14.5	projection 	product family TERMINAL BLOCK
ltr	ecn no	dr	date	title TERMINAL BLOCK PLUGGABLE,180D WIRE INLET,END STACKABLE	
angles		X.±0.5 X.X±0.3 X.XX±0.1		scale MM	dwg no TTxx41x000J0G
dr		EVIN ZHONG 041614		sheet 1 of 1 size A4	
enr		EVIN ZHONG 041614		type CUSTOMER Drawing	
chr		HANKE FENG 041614			
appd		SHI JUN 041614			
sheet index	revision sheet	A 1			