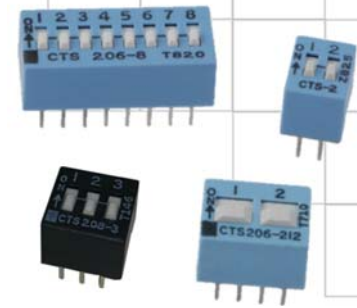




Series 206/208 Through-Hole DIP Switch

- Available with SPST, SPDT, DPST, 3PST circuitry choices
- Sealed version optional; assures contaminant-free switch operation after wave soldering and cleaning
- Available with low profile, standard, or extended actuator heights. Consult the ordering information for options.
- RoHS compliant



Description

The integral terminal and contact locked into the thermoset base provides electrostatic discharge shield rating to 22KV. The optimized contact design incorporating a dimple-to-flat surface wiping interface provides long-term contact corrosion resistance making this the ideal choice for any HVAC, server, or security system.

Ordering Information

Series	Number of Poles	Number of Throws	Number of Switch Positions	Actuator Height	Bottom Epoxy Seal	Top Tape Seal	Actuation Preset
206-/208 -	1	2	1	E	S	T	N

Code	No. of poles
Blank	For SPST
1	Single pole
2	Double pole
3	3 poles

Code	Spec.
Blank	For SPST
1	Single throw
2	Double throw

Code	No. of switch positions
1	1 position
2	2 positions
3	3 positions
4	4 positions
5	5 positions
6	6 positions
7	7 positions
8	8 positions
9	9 positions
10	10 positions
12	12 positions

Code	Spec.
Blank	Standard (0.89mm/.035")
E	Extended (3.43mm/.135") (SPST only)
LP	Low profile (Flush) (SPST & SPDT only)

Code	Bottom epoxy seal
Blank	No epoxy seal
S	Epoxy seal (Required for 206-1S)

Code	Spec.
BLANK	Ship at OFF position
N	Ship at ON position (SPST, DPST & 3PST only)

Code	Top tape seal
Blank	No top tape seal
T	Top tape seal (Not available for extended actuator or 1-position SPST DIP switch)

Notes: 1.Contact CTS for other common features not listed.
 2. Alternate numbering format 20600/20800... instead of 206-/208-
 Example: 206008ST



Electrical Specifications

Parameter	Conditions & Remarks	Min	Max	Unit
Contact Resistance (206)	Initial		50	milliohms
	At end of life		100	
Contact Resistance (208)	Initial		100	milliohms
	At end of life		500	
Insulation Resistance	Between insulated terminals	1000		Megohms
Dielectric Strength	500 VAC between adjacent switches		1	minute
Switch Capacitance	Between adjacent closed switches		5.0	pF
Nonswitching Rating			100	mA
			50	or VDC
Circuit	SPST	1	12	Position
	SPDT	1	6	Position
	DPST	1	6	Position
	3PST	1	4	Position

Mechanical and Environmental

Actuation Life (206)	10,000 cycles switching 50mA @ 24VDC
Actuation Life (208)	2,000 cycles switching 50mA @ 24VDC
Soldering	Maximum wave temperature, 260°C for 5 seconds
Shock	Per MIL-STD-202F, method 213B, condition A(50G's) with no contact inconsistencies greater than 1 microsecond
Vibration	Per MIL-STD-202F, method 204D, condition B (.06" or 15G's between 10 HZ to 2K HZ) with no contact inconsistencies greater than 1 microsecond
Seal	Bottom epoxy seal optional Top tape seal optional
Marking	Special side or top marking available-consult CTS
Packaging:	Standard anti-static tube packaging
Operating Temperature Range	-55°C to +85°C
Storage Temperature Range	-55°C to +85°C

Mechanical Specifications

Figure 1 - SPST

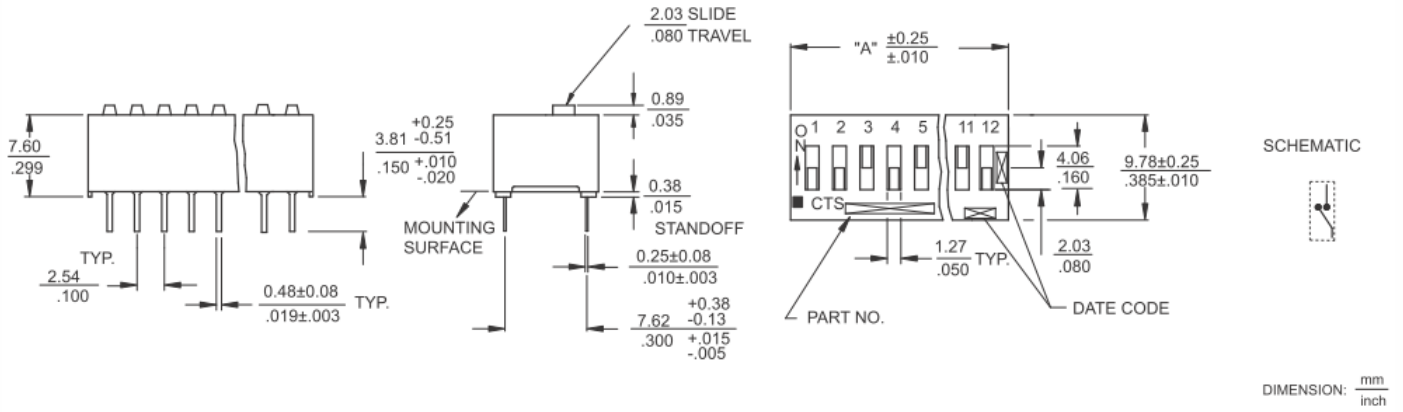


Figure 2 – SPDT

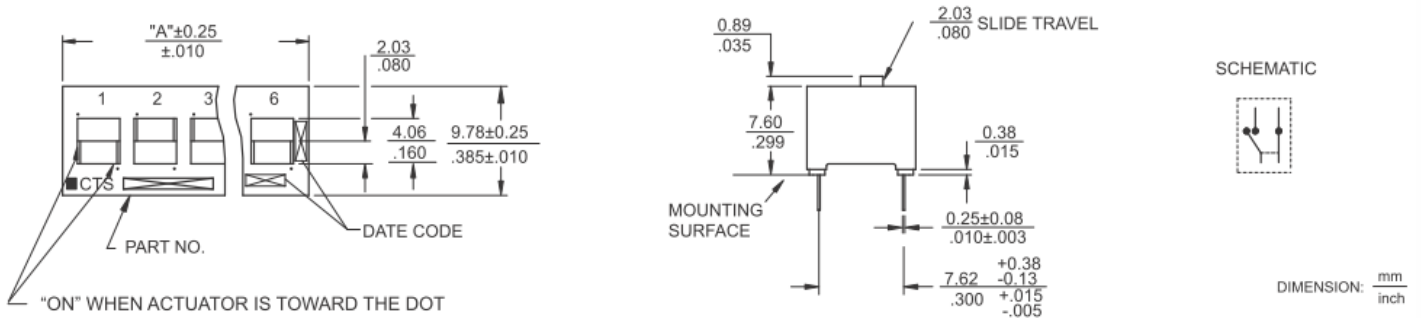


Figure 3 – DPST

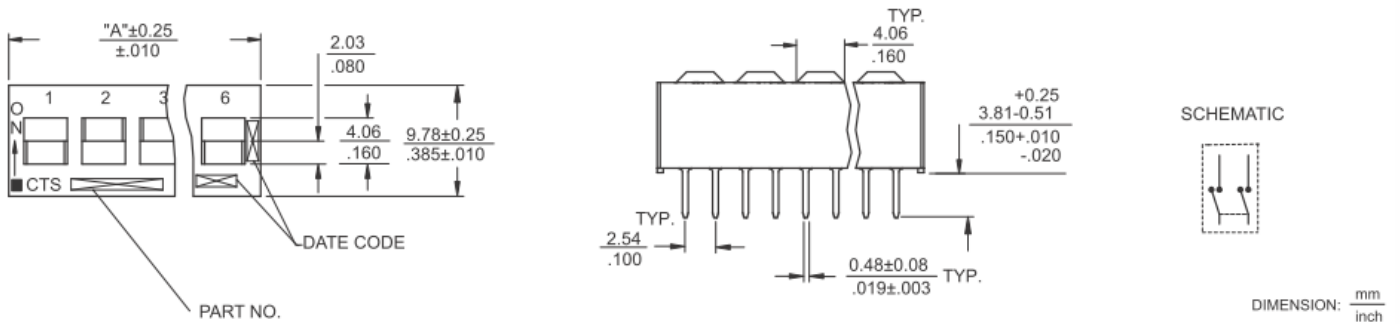


Figure 4 - 3PST

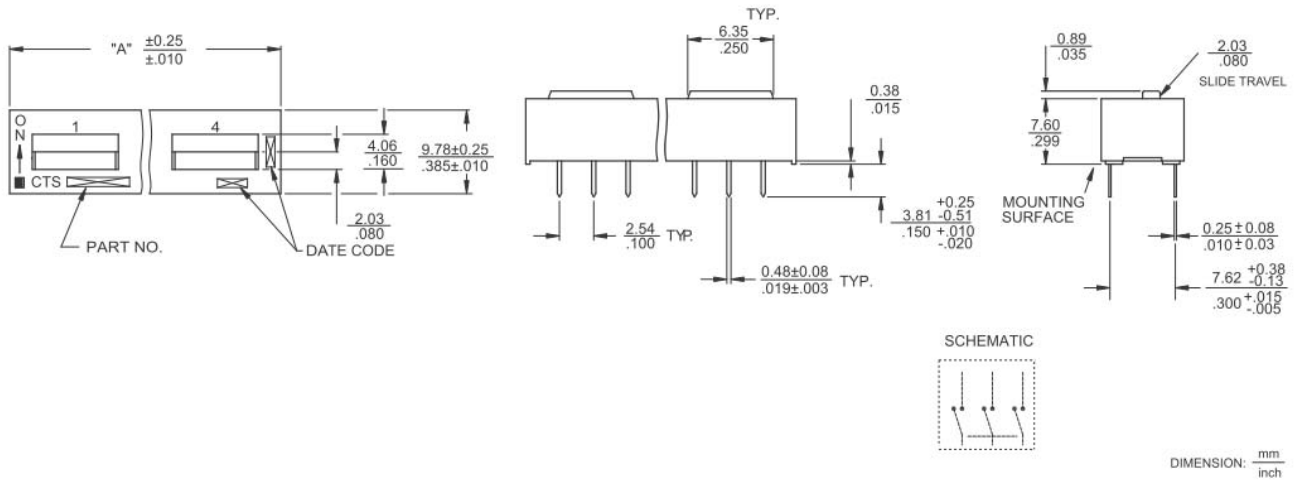


Figure 5 – Low Profile Actuators (SPST & SPDT only)

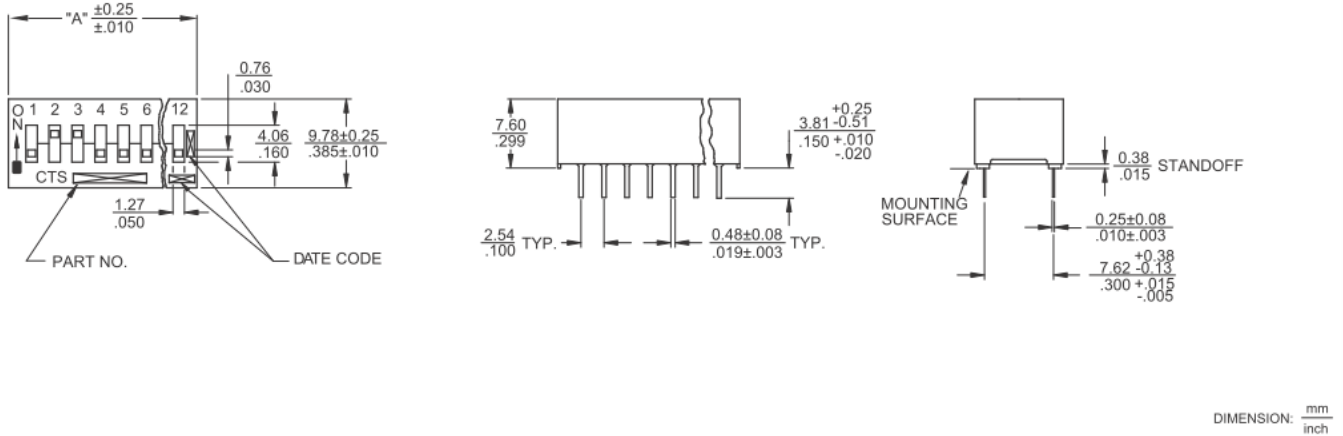


Figure 6 – Extended Actuators (SPST only)

