



Through Hole Lamp Product Data Sheet LTL1RMVSKNT

Spec No.: DS20-2007-0206

Effective Date: 05/22/2012

Revision: B

LITE-ON DCC

RELEASE

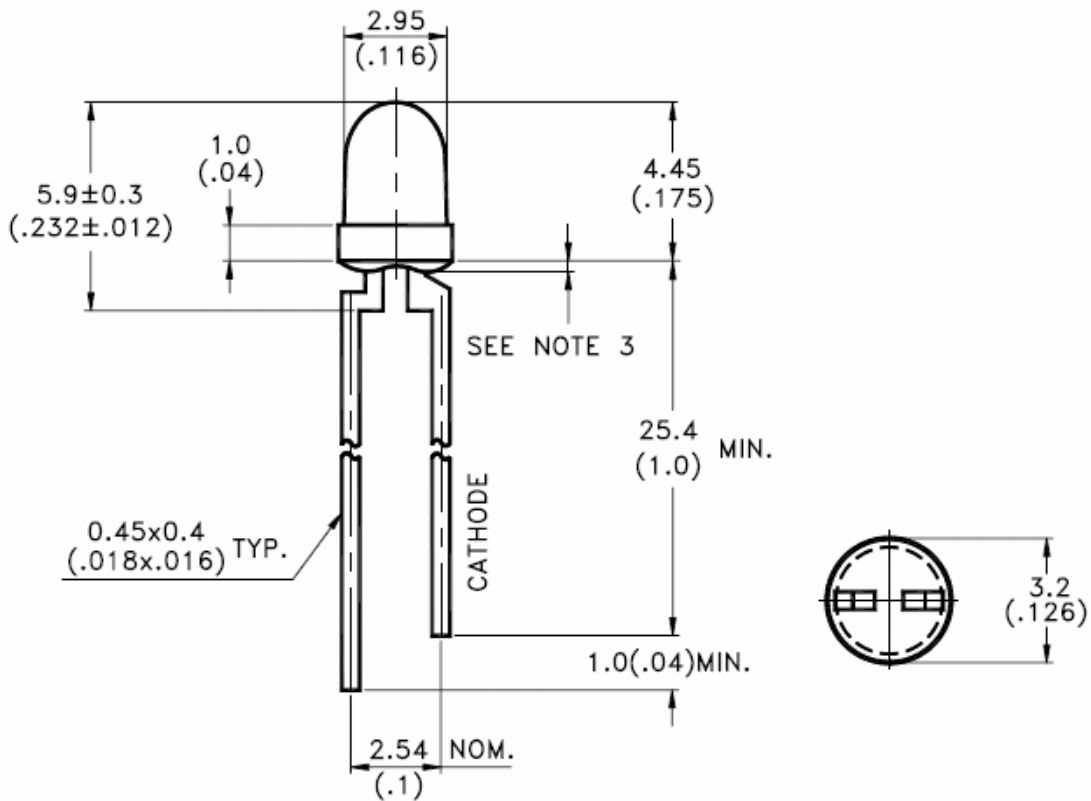
BNS-OD-FC001/A4

Features

- * Lead (Pb) free product and RoHS compliant.
- * Low power consumption.
- * High efficiency.
- * Versatile mounting on p.c. board or panel.
- * I.C. compatible/low current requirement.



Package Dimensions



| Part No. | Lens | Source Color |
|-------------|-------------|----------------|
| LTL1RMVSKNT | Water Clear | AlInGaP Yellow |

Notes:

1. All dimensions are in millimeters (inches).
2. Tolerance is $\pm 0.25\text{mm}(.010\text{'})$ unless otherwise noted.
3. Protruded resin under flange is $1.0\text{mm}(.04\text{'})$ max.
4. Lead spacing is measured where the leads emerge from the package.
5. Specifications are subject to change without notice.



LITE-ON TECHNOLOGY CORPORATION

Property of Lite-On Only

Absolute Maximum Ratings at $T_A=25^{\circ}\text{C}$

| Parameter | Maximum Rating | Unit |
|--|---|------------------------|
| Power Dissipation | 120 | mW |
| Peak Forward Current (1/10 Duty Cycle, 0.1ms Pulse Width) | 90 | mA |
| DC Forward Current | 50 | mA |
| Derating Linear From 40°C | 0.60 | mA/ $^{\circ}\text{C}$ |
| Operating Temperature Range | -40°C to $+80^{\circ}\text{C}$ | |
| Storage Temperature Range | -55°C to $+100^{\circ}\text{C}$ | |
| Lead Soldering Temperature [2 mm(.08") From Body] | 260 $^{\circ}\text{C}$ for 5 Seconds | |

Electrical / Optical Characteristics at $T_A=25^\circ\text{C}$

| Parameter | Symbol | Min. | Typ. | Max. | Unit | Test Condition |
|--------------------------|-----------------|------|------|------|---------------|-------------------------------|
| Luminous Intensity | I_V | 1500 | 2500 | 7200 | mcd | $I_F = 20\text{mA}$ Note 1 |
| Viewing Angle | $2\theta_{1/2}$ | | 15 | | deg | Note 2 (Fig.5) |
| Peak Emission Wavelength | λ_P | | 591 | | nm | Measurement @Peak (Fig.1) |
| Dominant Wavelength | λ_d | 584 | 590 | 596 | nm | $I_F = 20\text{mA}$ Note 4 |
| Spectral Line Half-Width | $\Delta\lambda$ | | 15 | | nm | |
| Forward Voltage | V_F | | 2.0 | 2.4 | V | $I_F = 20\text{mA}$ |
| Reverse Current | I_R | | | 100 | μA | $V_R = 5\text{V}$ |

NOTE: 1. Luminous intensity is measured with a light sensor and filter combination that approximates the CIE eye-response curve.

2. $\theta_{1/2}$ is the off-axis angle at which the luminous intensity is half the axial luminous intensity.

3. I_V classification code is marked on each packing bag.

4. The dominant wavelength, λ_d is derived from the CIE chromaticity diagram and represents the single wavelength which defines the color of the device.

5. Reverse voltage (V_R) condition is applied for I_R test only. The device is not designed for reverse operation

Typical Electrical / Optical Characteristics Curves

(25°C Ambient Temperature Unless Otherwise Noted)

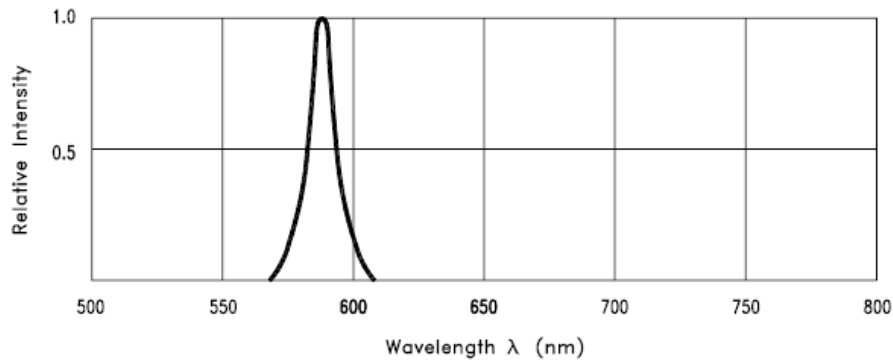


Fig.1 Relative Intensity vs. Wavelength

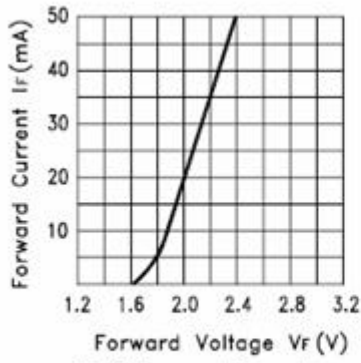


Fig.2 Forward Current vs. Forward Voltage

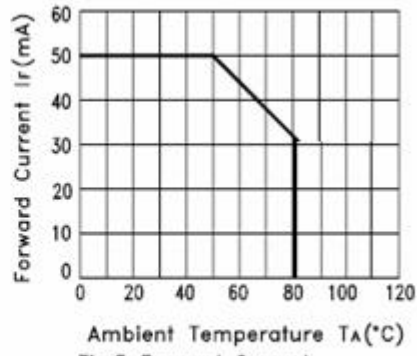


Fig.3 Forward Current Derating Curve

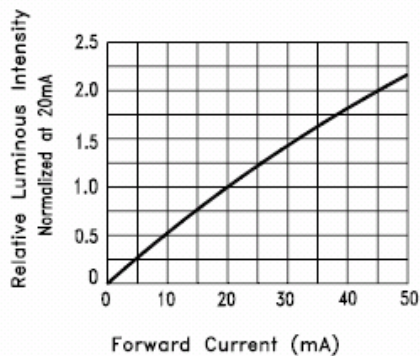


Fig.4 Relative Luminous Intensity vs. Forward Current

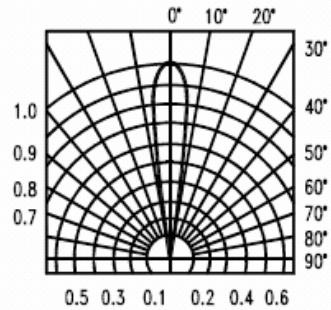
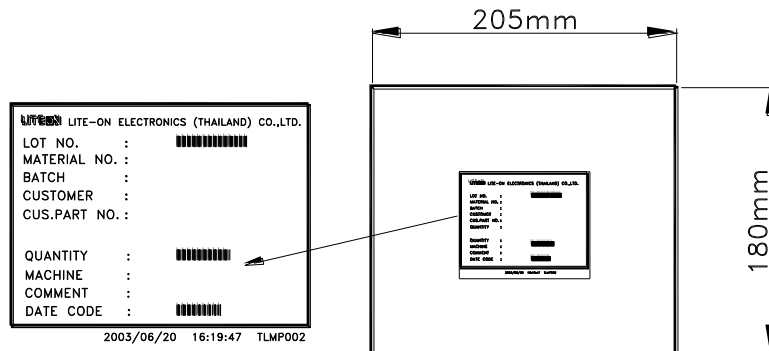


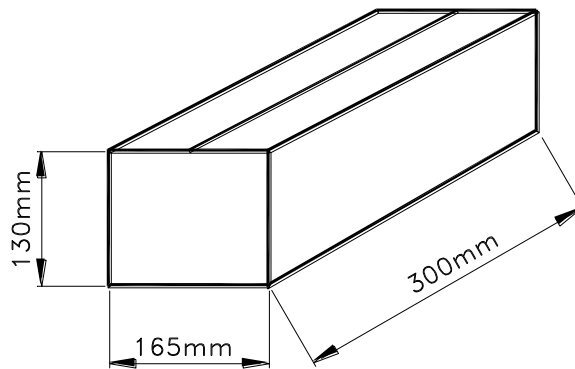
Fig.5 Spatial Distribution

Packing Spec

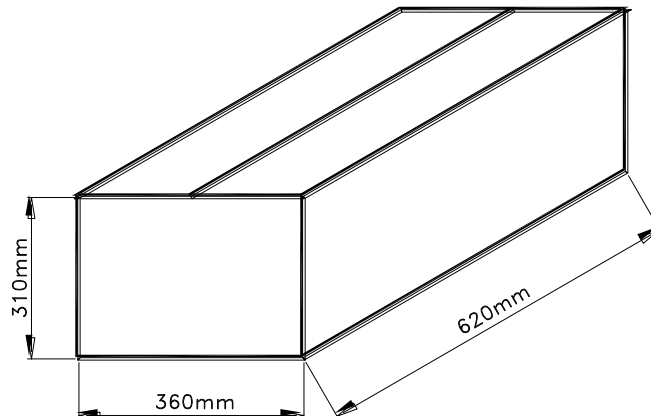
1000, 500 or 200,100 pcs per packing bag



10 packing bags per inner carton
total 10000 pcs per inner carton



8 Inner cartons per outer carton
total 80000 pcs per outer carton
In every shipping lot, only the last pack will be non-full packing



Bin Table Specification

| Luminous Intensity | | Unit : mcd @20mA |
|---------------------------|-------------|-------------------------|
| Bin Code | Min. | Max. |
| R | 1500 | 1900 |
| S | 1900 | 2500 |
| T | 2500 | 3200 |
| U | 3200 | 4200 |
| V | 4200 | 5500 |
| W | 5500 | 7200 |

Note: Tolerance of each bin limit is $\pm 15\%$

| Dominant Wavelength | | Unit : nm @20mA |
|----------------------------|-------------|------------------------|
| Bin Code | Min. | Max. |
| H15 | 584.0 | 586.0 |
| H16 | 586.0 | 588.0 |
| H17 | 588.0 | 590.0 |
| H18 | 590.0 | 592.0 |
| H19 | 592.0 | 594.0 |
| H20 | 594.0 | 596.0 |

Note: Tolerance of each bin limit is $\pm 1\text{nm}$

CAUTIONS

1. Application

The LEDs described here are intended to be used for ordinary electronic equipment (such as office equipment, communication equipment and household applications). Consult Liteon's Sales in advance for information on applications in which exceptional reliability is required, particularly when the failure or malfunction of the LEDs may directly jeopardize life or health (such as in aviation, transportation, traffic control equipment, medical and life support systems and safety devices).

2. Storage

The storage ambient for the LEDs should not exceed 30°C temperature or 70% relative humidity. It is recommended that LEDs out of their original packaging are used within three months. For extended storage out of their original packaging, it is recommended that the LEDs be stored in a sealed container with appropriate desiccant or in desiccators with nitrogen ambient.

3. Cleaning

Use alcohol-based cleaning solvents such as isopropyl alcohol to clean the LEDs if necessary.

4. Lead Forming & Assembly

During lead forming, the leads should be bent at a point at least 3mm from the base of LED lens.

Do not use the base of the lead frame as a fulcrum during forming.

Lead forming must be done before soldering, at normal temperature.

During assembly on PCB, use minimum clinch force possible to avoid excessive mechanical stress.

5. Soldering

When soldering, leave a minimum of 2mm clearance from the base of the lens to the soldering point.

Dipping the lens into the solder must be avoided.

Do not apply any external stress to the lead frame during soldering while the LED is at high temperature.

Recommended soldering conditions :

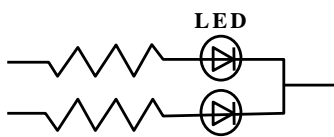
| Soldering iron | | Wave soldering | |
|----------------|--------------------------------|----------------|--------------|
| Temperature | 350°C Max. | Pre-heat | 100°C Max. |
| Soldering time | 3 sec. Max. (one time only) | Pre-heat time | 60 sec. Max. |
| | | Solder wave | 260°C Max. |
| | | Soldering time | 5 sec. Max. |

Note: Excessive soldering temperature and/or time might result in deformation of the LED lens or catastrophic failure of the LED. IR reflow is not suitable process for through hole type LED lamp product.

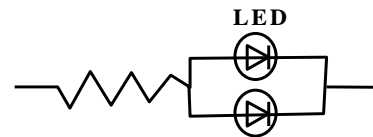
6. Drive Method

An LED is a current-operated device. In order to ensure intensity uniformity on multiple LEDs connected in parallel in an application, it is recommended that a current limiting resistor be incorporated in the drive circuit, in series with each LED as shown in Circuit A below.

Circuit model A



Circuit model B



(A) Recommended circuit

(B) The brightness of each LED might appear different due to the differences in the I-V characteristics of those LEDs

7. ESD (Electrostatic Discharge)

Static Electricity or power surge will damage the LED.

Suggestions to prevent ESD damage:

- Use a conductive wrist band or anti- electrostatic glove when handling these LEDs
- All devices, equipment, and machinery must be properly grounded
- Work tables, storage racks, etc. should be properly grounded
- Use ion blower to neutralize the static charge which might have built up on surface of the LEDs plastic lens as a result of friction between LEDs during storage and handing

Suggested checking list :**Training and Certification**

1. Everyone working in a static-safe area is ESD-certified?
2. Training records kept and re-certification dates monitored?

Static-Safe Workstation & Work Areas

1. Static-safe workstation or work-areas have ESD signs?
2. All surfaces and objects at all static-safe workstation and within 1 ft measure less than 100V?
3. All ionizer activated, positioned towards the units?
4. Each work surface mats grounding is good?

Personnel Grounding

1. Every person (including visitors) handling ESD sensitive (ESDS) items wear wrist strap, heel strap or conductive shoes with conductive flooring?
2. If conductive footwear used, conductive flooring also present where operator stand or walk?
3. Garments, hairs or anything closer than 1 ft to ESD items measure less than 100V*?
4. Every wrist strap or heel strap/conductive shoes checked daily and result recorded for all DLs?
5. All wrist strap or heel strap checkers calibration up to date?

Note: *50V for Blue LED.

Device Handling

1. Every ESDS items identified by EIA-471 labels on item or packaging?
2. All ESDS items completely inside properly closed static-shielding containers when not at static-safe workstation?
3. No static charge generators (e.g. plastics) inside shielding containers with ESDS items?
4. All flexible conductive and dissipative package materials inspected before reuse or recycle?

Others

1. Audit result reported to entity ESD control coordinator?
2. Corrective action from previous audits completed?
3. Are audit records complete and on file?

8. Reliability Test

| Classification | Test Item | Test Condition | Reference Standard |
|--------------------|---|---|--|
| Endurance Test | Operation Life (LT) | Ta = under room temperature IF = per datasheet maximum drive current *Test time = 1000 hrs | MIL-STD-750D:1026 (1995) MIL-STD-883G:1005 (2006) |
| | High temperature/ High humidity storage (THS) | Ta = 60°C RH = 90% Test time = 240hrs | MIL-STD-202G:103B (2002) JEITA ED-4701:100 103 (2001) |
| | High temperature storage | Ta = 105 ± 5 °C Test time = 1000 hrs | MIL-STD-750D:1031 (1995) MIL-STD-883G:1008 (2006) JEITA ED-4701:200 201 (2001) |
| | Low temperature storage | Ta = -55 ± 5 °C Test time = 1000 hrs | JEITA ED-4701: 200 202 (2001) |
| Environmental Test | Temperature cycling | 100°C ~ 25°C ~ -40°C ~ 25°C 30 mins 5 mins 30 mins 5 mins 30 cycles | MIL-STD-750D:1051 (1995) MIL-STD-883G:1010 (2006) JEITA ED-4701:100 105 (2001) JESD22-A104C (2005) |
| | Thermal Shock | 100 ± 5 °C ~ -30 ± 5 °C 15 mins 15 mins 30 cycles (< 20 secs transfer) | MIL-STD-750D:1056 (1995) MIL-STD-883G:1011 (2006) MIL-STD-202G:107G (2002) JESD22-A106B (2004) |
| | Solder resistance (no pre-condition) | T.sol = 260 ± 5°C Dwell time = 10 ± 1 sec 3mm from the base of the epoxy buib | MIL-STD-750D:2031 (1995) JEITA ED-4701: 300 302 (2001) |
| | Solderability (no pre-condition) | T.sol = 245 ± 5°C Dwell time = 5 ± 0.5 sec | MIL-STD-750D:2026 (1995) MIL-STD-883G:2003 (2006) MIL-STD-202G:208H (2002) IPC/EIA J-STD-002 (2004) |
| | Soldering Iron (no pre-condition) | T.sol = 350 ± 5°C Dwell time = 3.5 ± 0.5 sec | MIL-STD-202G:208H (2002) JEITA ED-4701: 300 302 (2001) |

9. Others

The appearance and specifications of the product may be modified for improvement, without prior notice.