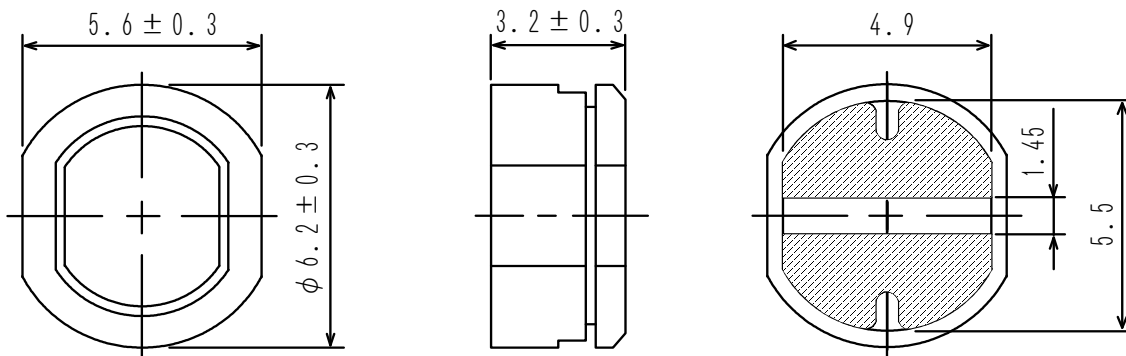
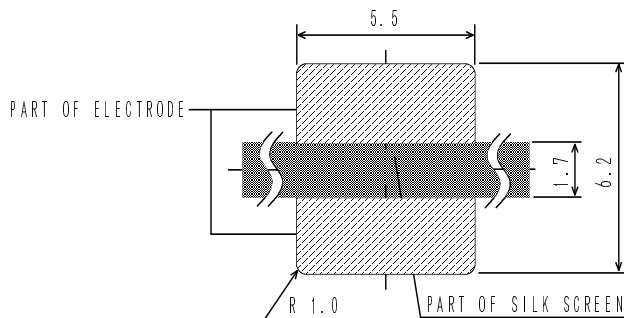


**Type: CDR63B**
**◆ Product Description**

- 6.5×5.9mm Max.(L×W), 3.5mm Max. Height.
- Inductance range: 10~68 μ H
- Rated current range: 0.42~1.0A.
- In addition to the standards versions shown here, custom inductors are also available to meet your exact requirements.


**◆ Feature**

- Magnetically shielded construction.
- Storage temperature range: -40°C~+100°C.
- Operating temperature range: -40°C~+100°C (Including coil's self temperature rise).
- Ideally used in Notebook PC ,LCD TV ,Game machine ,HDD,DSC/DVC, etc as DC-DC converter inductors.
- RoHS compliance.

**◆ Dimensions (mm)**

**◆ Land Pattern (mm)**


**Type: CDR63B**
**◆ Specification**

Part Name ※	Stamp	Inductance ( $\mu$ H) (at 2.52 MHz)	D.C.R.( $\Omega$ ) [Max.] (at 20°C)	Rated Current(A) ※1	S.R.F. (MHz) [Typ.]
CDR63BNP-100M□	A	10 $\pm$ 20%	0.14	1.00	35.3
CDR63BNP-120M□	B	12 $\pm$ 20%	0.16	0.94	32.2
CDR63BNP-150M□	C	15 $\pm$ 20%	0.18	0.86	29.3
CDR63BNP-180M□	D	18 $\pm$ 20%	0.25	0.78	26.7
CDR63BNP-220M□	E	22 $\pm$ 20%	0.32	0.76	23.1
CDR63BNP-270M□	F	27 $\pm$ 20%	0.36	0.64	20.8
CDR63BNP-330L□	G	33 $\pm$ 15%	0.41	0.61	18.2
CDR63BNP-390L□	H	39 $\pm$ 15%	0.47	0.53	17.0
CDR63BNP-470L□	J	47 $\pm$ 15%	0.51	0.50	15.3
CDR63BNP-560L□	K	56 $\pm$ 15%	0.72	0.46	14.1
CDR63BNP-680L□	L	68 $\pm$ 15%	0.82	0.42	12.1

**※ Description of part name**

CDR63BNP-100M□

- B Box
- C Carrier Tape

※1. Rated current: The D.C. current at which the inductance decreases to 90% of it's initial value or when  $\Delta t=40^{\circ}\text{C}$ , whichever is lower( $T_a=20^{\circ}\text{C}$ ).