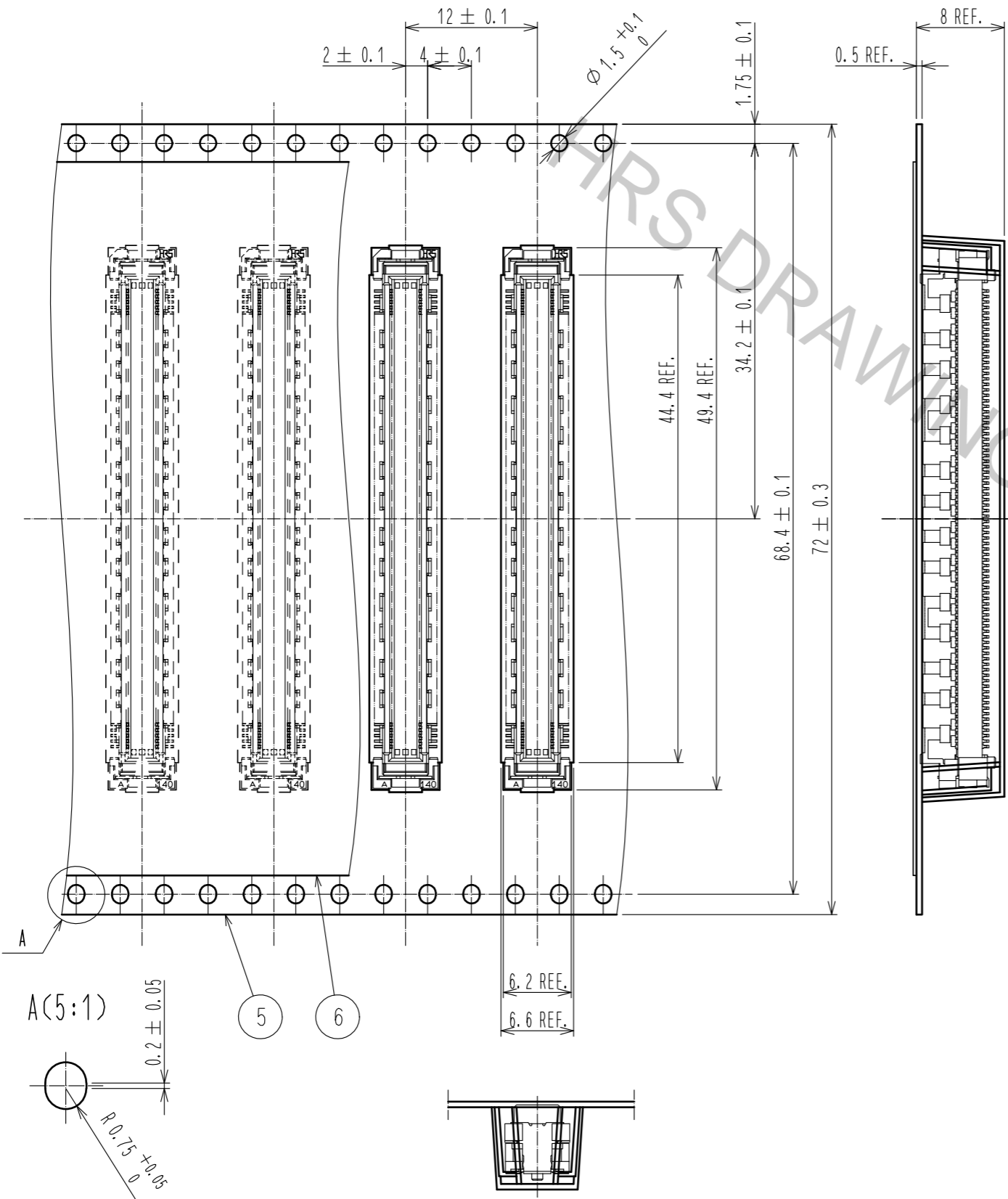


- NOTE
1. SMT LEAD-COPLANARITY: 0.1 MAX.
 2. THIS PRODUCT HAS NO POLARITY TO PATTERN FOR MOUNTING.
 3. STACKING HEIGHT FROM LEAD TO LEAD.
 4. BOARD DISTANCE

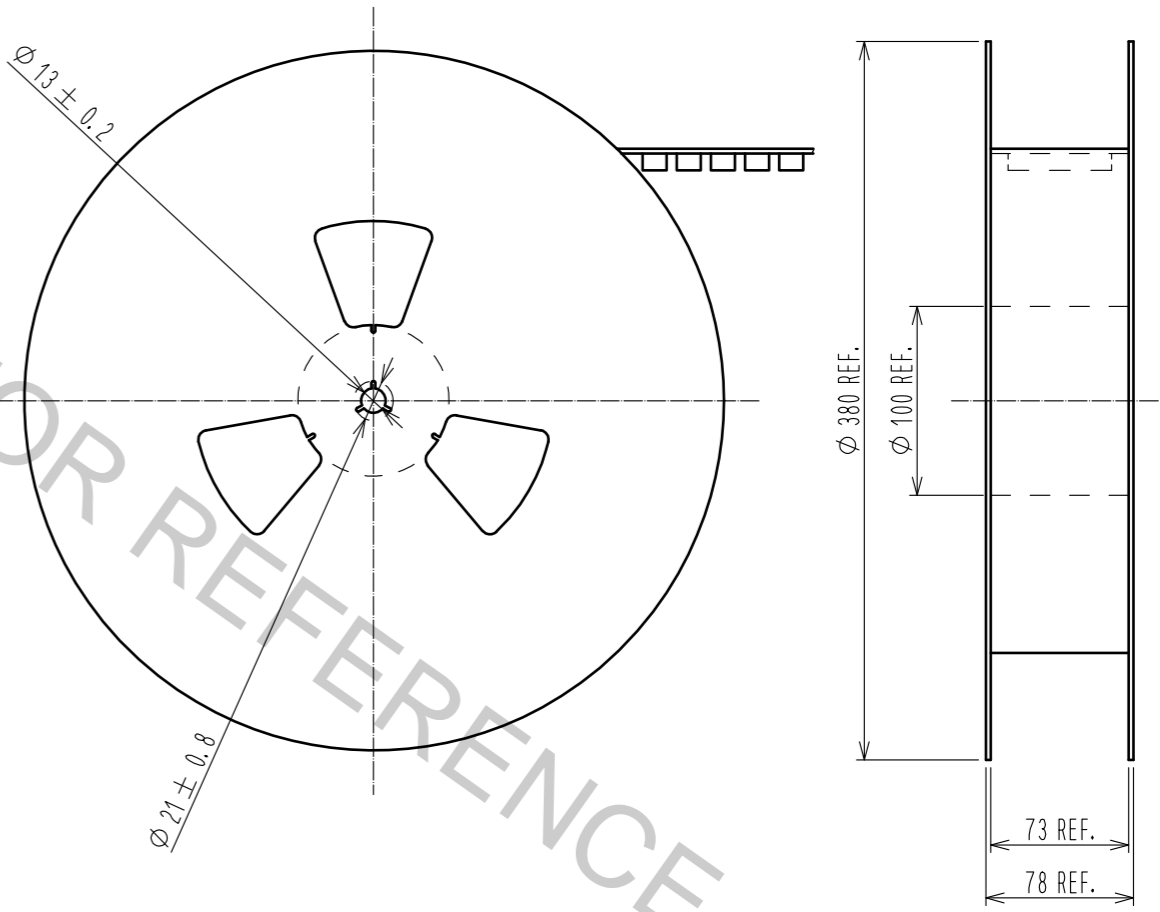
3	COPPER ARROY	CONTACT: GOLD PLATING 0.76µm MIN LEAD : GOLD PLATING 0.03µm MIN UNDER : NICKEL PLATING 1.3µm MIN	6	PS	TOP COVER TAPE
2	LCP	BEIGE, UL94V-0	5	PS	EMBOSSED CARRIER TAPE
1	LCP	BEIGE, UL94V-0	4	COPPER ARROY	LEAD : GOLD PLATING 0.03µm MIN UNDER : NICKEL PLATING 1.3µm MIN
NO.	MATERIAL	FINISH . REMARKS	NO.	MATERIAL	FINISH . REMARKS
UNITS mm		SCALE 4:1	COUNT	DESCRIPTION OF REVISIONS	
DESIGNED		CHECKED		DATE	
APPROVED : NH. NAKATA 16.11.10			DRAWING NO. EDC-330881-85-00		
CHECKED : HT. YAMAGUCHI 16.11.10			PART NO. FX10A-168P-SV3(85)		
DESIGNED : MT. ITANO 16.11.10			CODE NO. CL570-0304-7-85		
DRAWN : MT. ITANO 16.11.10			1/2		

DRAWING FOR PACKING(2:1)

THE DIRECTION OF PULLING OUT 



REELED DIMENSION (FREE)



- NOTE
- 5. REEL: 250 CONNECTORS.
 - 6. MINIMUM 10 COMPARTMENTS FROM BOTH REEL ENDS REMAIN EMPTY.
 - 7. THIS PRODUCT HAS NO POLARITY TO TAPE AND REEL PACKAGING.

Apr.1.2017 Copyright 2017 HIROSE ELECTRIC CO., LTD. All Rights Reserved.