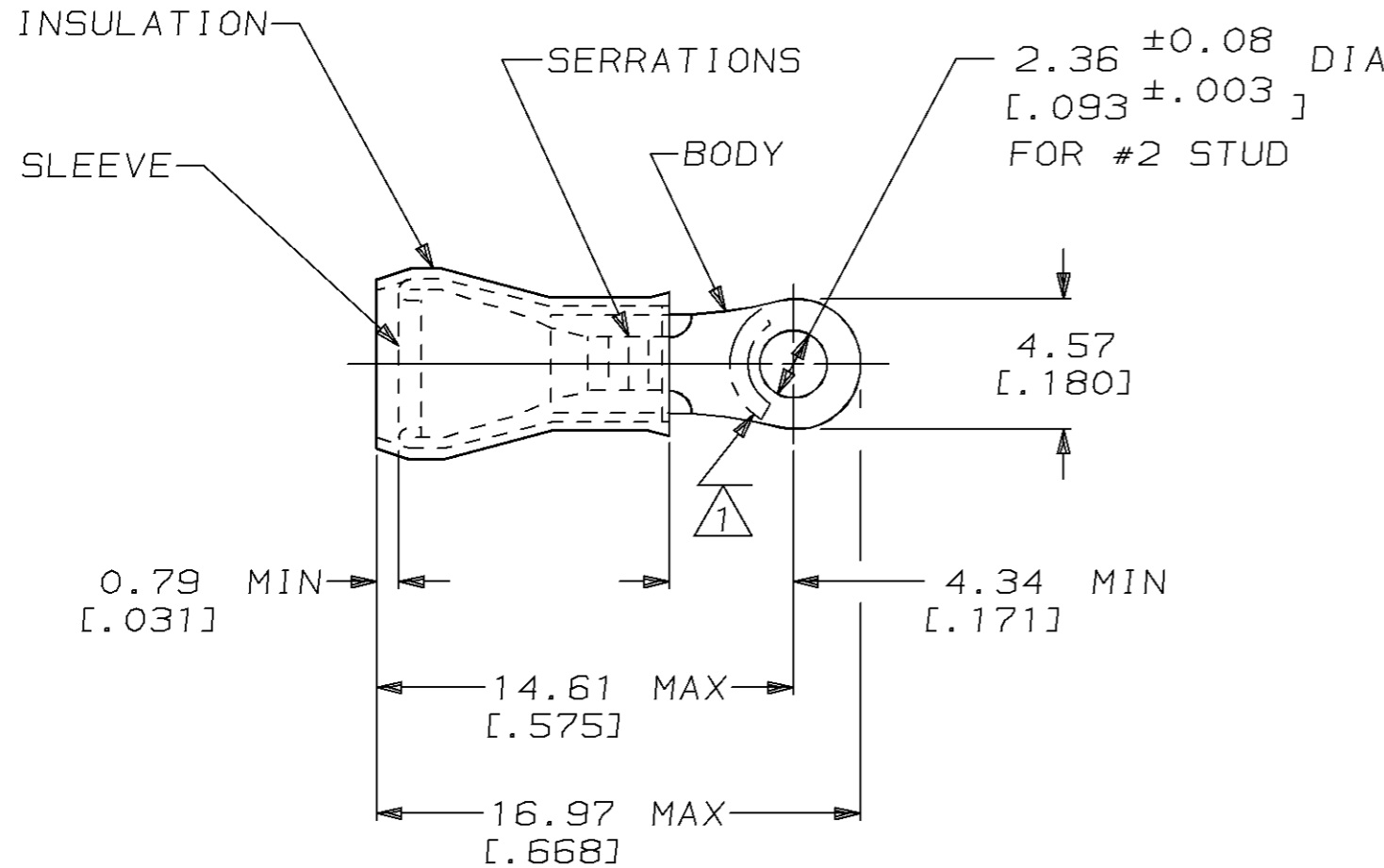


THIS DRAWING IS UNPUBLISHED. RELEASED FOR PUBLICATION, 19  
 © COPYRIGHT 19 BY AMP INCORPORATED. ALL INTERNATIONAL RIGHTS RESERVED.

LOC	DIST	P	F	REVISIONS				
G	14			ZONE	LTR	DESCRIPTION	DATE	APPD
					E	REV / 0L20-0025-97	30JAN97	ME TM

<b>AMP</b> WIRE RANGE	<b>UL</b> Listed	<b>SR</b> LR7189 Certified
1.04-2.62mm <sup>2</sup> [16-14] AWG SOLID OR STRANDED	1.04-2.62mm <sup>2</sup> [16-14] AWG SOLID OR STRANDED	1.04-2.62mm <sup>2</sup> [16-14] AWG SOLID OR STRANDED



- 1 STAMP AMP 16-14\* 2½-4 APPROX AS SHOWN
- 2 WIRE INSULATION DIA: .115 - .170
- 3 TONGUE MATERIAL THK: 0.78±0.51 [.031±.002]

<b>AMP INCORPORATED</b> <b>CUSTOMER SERVICE SYSTEMS</b>		MAX RECOMMENDED OPERATING TEMPERATURE: 105°C MAX	DO NOT SCALE PRINT, UNLESS SPECIFIED DIMENSIONS IN mm [INCHES] TOLERANCES ON: 2 PLC DEC ± 0.20 [.008] 3 PLC DEC ± - ANGLES ± -	DR 10/9/92 DK SCHRUM	QUANTITY	5,000	ON TAPE, REEL	2-324993-1		
				CHK 10/12/92 ML ELLIS		-	LOOSE PIECE	324993		
FOR ADDITIONAL PRODUCT INFORMATION OR COPIES OF DRAWINGS AND TECHNICAL DOCUMENTS	PRODUCT INFORMATION CENTER 1-800-522-6752	VOLTAGE RATING: 300 V MAX	MATERIAL COPPER ASTM B-152 SLEEVE, BLUE NYLON	APPD 10/12/92 BR BARE	<b>AMP</b> AMP Incorporated Harrisburg, PA 17105-3608					
FOR APPLICATION TOOLING INFORMATION	CUSTOMER SERVICE HOTLINE 1-800-722-1111	CIRCULAR MIL AREA: 2,050-5,180 SOLID OR STRANDED	FINISH TIN PLATE PER MIL-T-10727	APPD 10/12/92 M BARNABA	NAME TERMINAL, RING TONGUE, PIDG™. WIRE SIZE, 16-14 AWG					
FOR ORDER ENTRY	1-800-526-5142	THIS DRAWING IS A CONTROLLED DOCUMENT FOR AMP INCORPORATED. IT IS SUBJECT TO CHANGE AND THE CONTROLLING ENGINEERING ORGANIZATION SHOULD BE CONTACTED FOR THE LATEST REVISION.		PRODUCT SPEC UL 486A	SIZE	B	CAGE CODE	00779	DRAWING NO	C-324993
					APPLICATION SPEC NOT AVAILABLE	SCALE	4:1	SHEET	1 OF 1	