

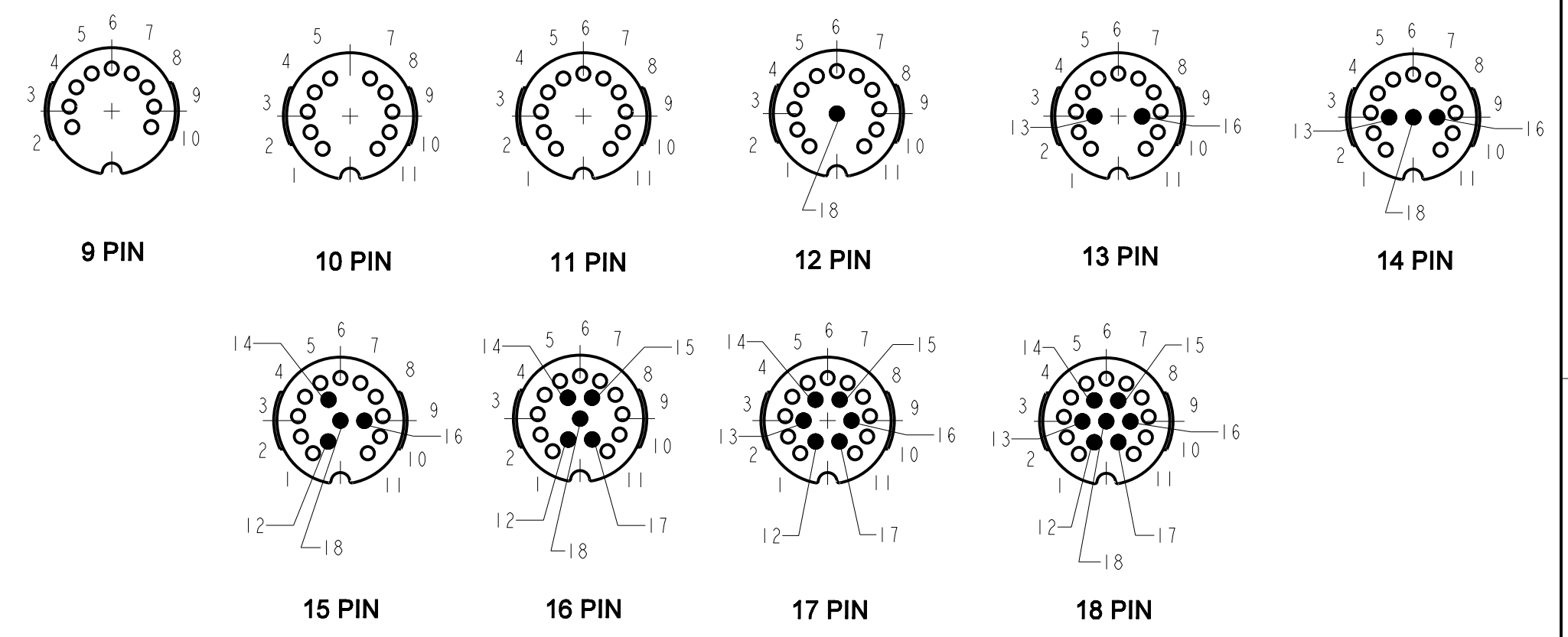
**SPECIFICATIONS**

**MECHANICAL:**  
 SHOCK: MIL-STD 202 METHOD 213B, COND. K.  
 VIBRATION: MIL-STD 202 METHOD 201A  
 LIFE: 1000 INSERTION/WITHDRAWAL CYCLES (MINIMUM)

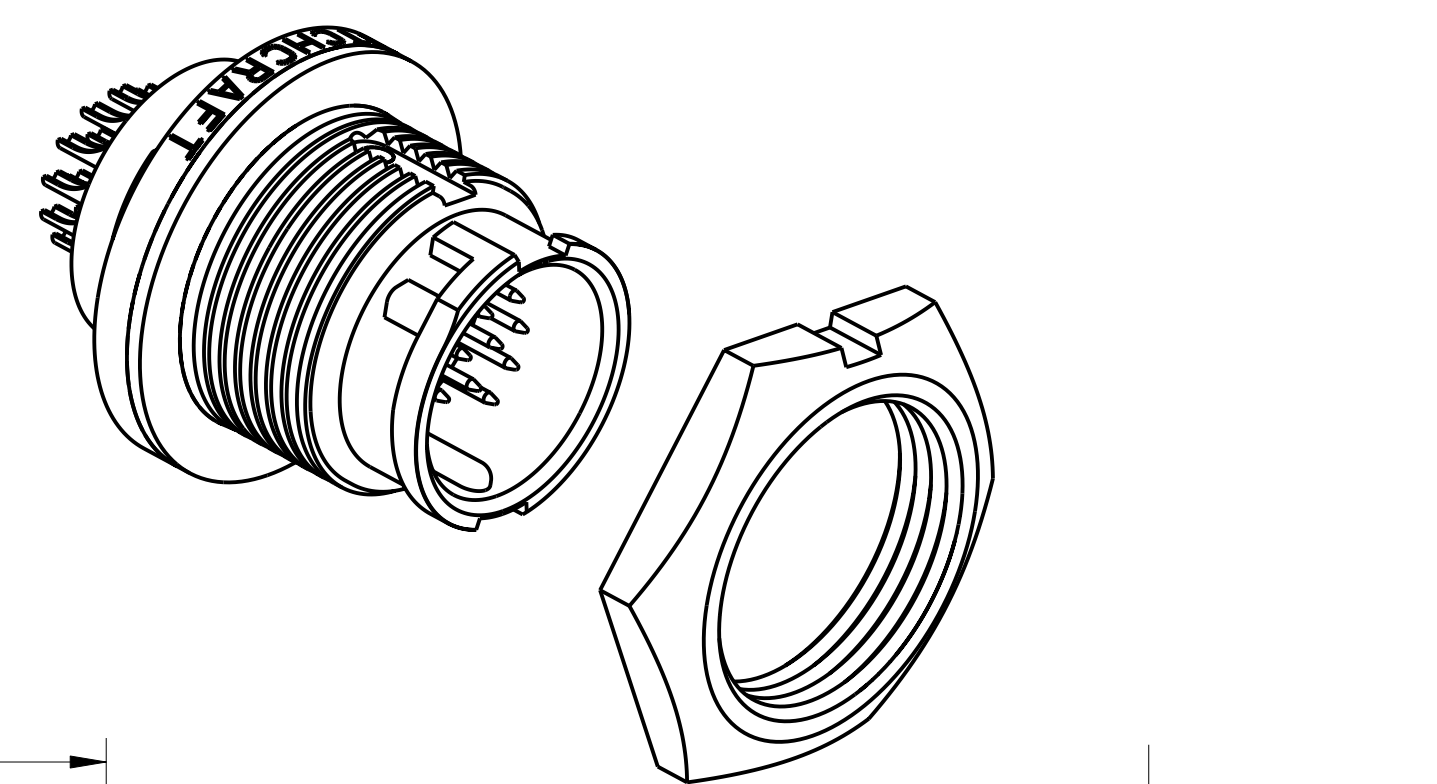
**ELECTRICAL**  
 DIELECTRIC WITHSTANDING VOLTAGE: 250 VAC  
 INSULATION RESISTANCE: 100 MEGOHMS (MIN) AT 77°F  
 CONTACT RESISTANCE: 10.0 MILLOHMS MAX.  
 CURRENT RATING: 2.0 AMPS

**ENVIRONMENTAL**  
 TEMPERATURE LIMITS: -40°C TO +65°C (NON-OPERATING)  
 MOISTURE RESISTANCE: MIL-STD 202 METHOD 106F  
 INSULATION RESISTANCE: MIL-STD 202 METHOD 302, COND. B  
 THERMAL SHOCK: MIL-STD 202 METHOD 107G  
 SALT SPRAY: MIL-STD 202 METHOD 101D, COND. B  
 WATER TIGHTNESS TEST: U.S. COAST GUARD CFR 46 PART 110.20

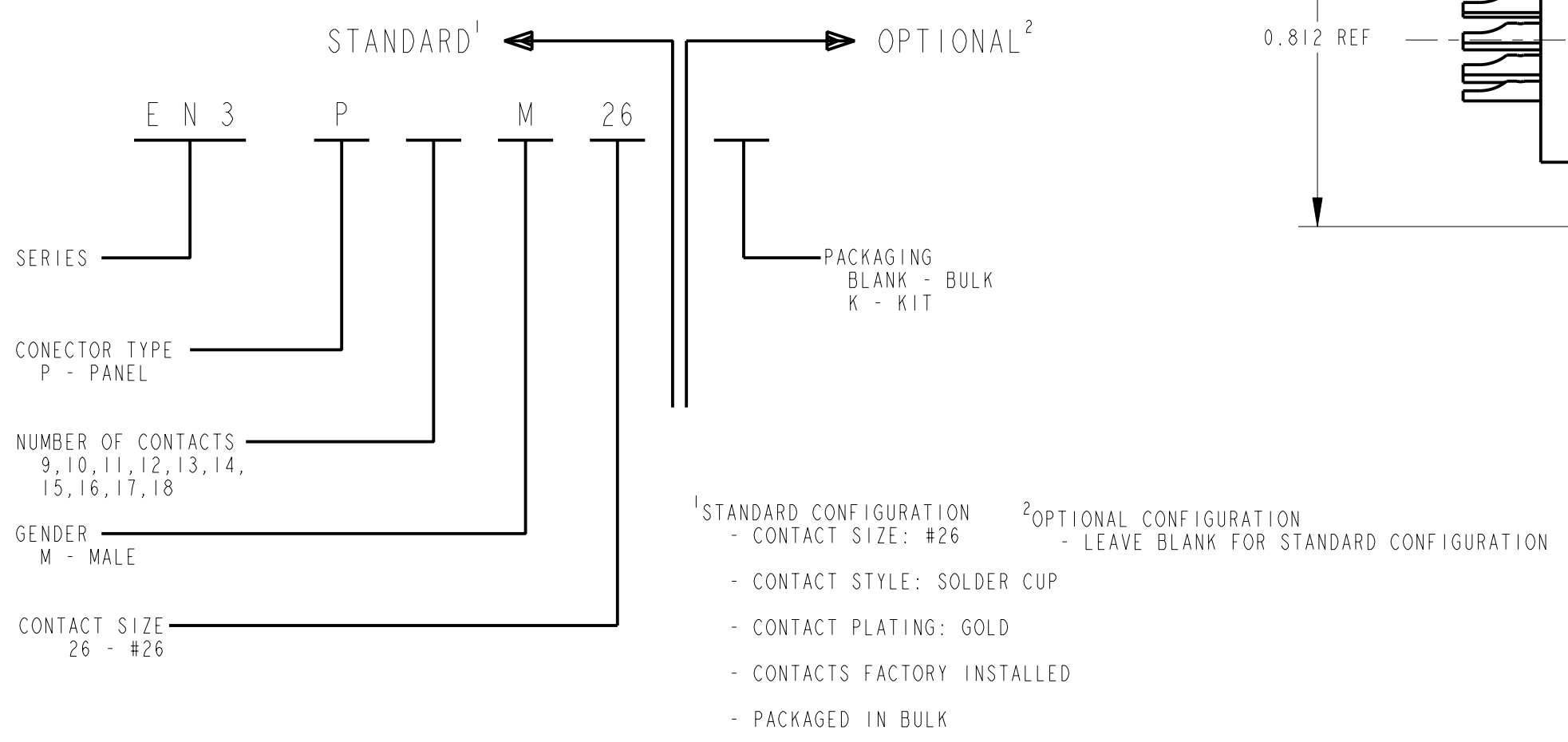
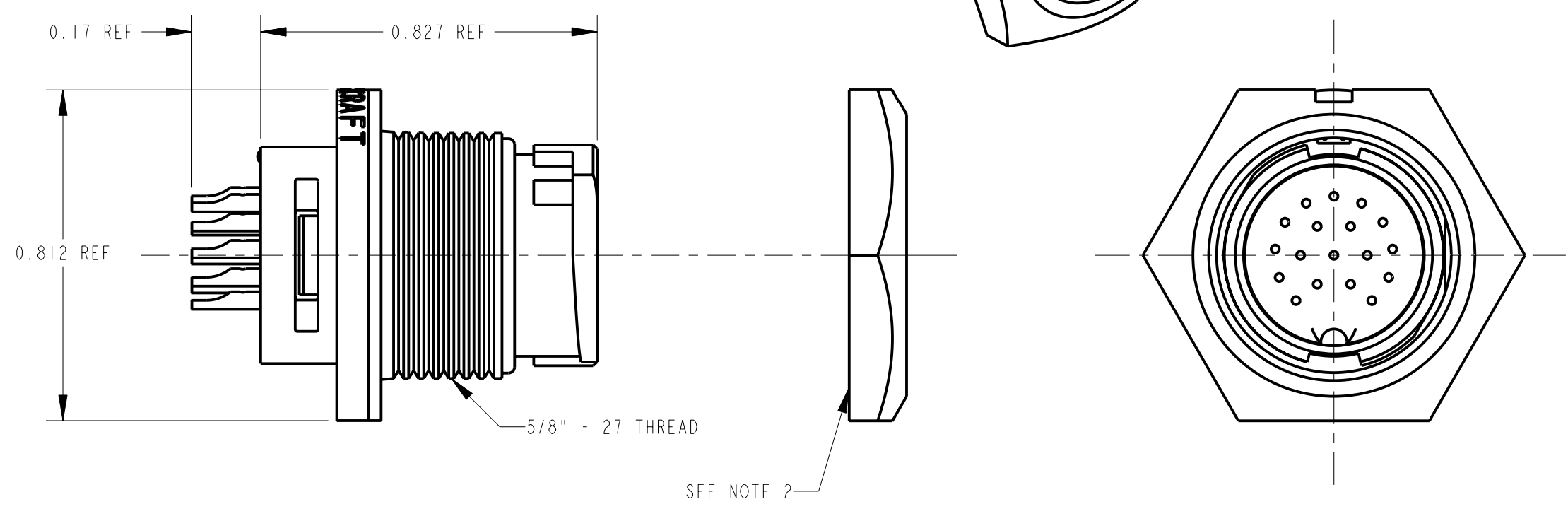
- NOTES:**
- HEX NUT TORQUE: 8 TO 10 INCH-LBS. OF TORQUE (MUST NOT EXCEED 10 INCH-LBS.)
  - HEX NUT SHIPPED UNASSEMBLED.



**CONTACT ARRANGEMENTS - VIEWED FROM REAR OF CONNECTOR (WIRING SIDE)**  
 HOLES USED DENOTED BY NUMBER REFERENCED IN 18 PIN LAYOUT



**MATERIALS:**  
 PANEL CONNECTOR SHELL, CONTACT LOCKING DISC: THERMOPLASTIC POLYMER GLASS FIBER, FLAME RETARDANT  
 CONNECTOR SHELL INTERIOR: THERMOPLASTIC RUBBER  
 CONTACTS: COPPER BASE ALLOY GOLD-PLATED OVER NICKEL UNDERPLATE  
 HEX NUT: THERMOPLASTIC



CUSTOMER DRAWING

★ STAR SYMBOL DENOTES CRITICAL DIMENSION				THIS DRAWING DESCRIBES A DESIGN CONSIDERED PROPRIETARY IN NATURE, DEVELOPED AND MANUFACTURED BY SWITCHCRAFT INC. AND IS RELEASED ON A CONFIDENTIAL BASIS FOR IDENTIFICATION PURPOSES ONLY.				
UNLESS OTHERWISE SPECIFIED				SIZE	WIDTH	MULT	LBS/M	TEMPER
1. ALL DIMENSIONS IN INCHES - TWO PLACE DECIMALS ±0.01 - THREE PLACE DECIMALS ±0.005 - ANGLES ±1° - ALL DIA. CONCENTRIC WITHIN 0.005 T.I.R.				FINISH		MATERIAL		
2. FEATURES ON THE SAME CENTERLINE MUST BE ALIGNED WITHIN ±0.002				SPEC No.		SPEC No.		
3. REMOVE ALL BURRS				FIRST USED ON		SCALE		
DO NOT SCALE DRAWING				DATE DRAWN		APVD		
REVISIONS				BY	CHKD	APVD		
				6-15-99	SG	6-15-99	AY	
				NAME		PART No.		REV
				MALE PANEL CONNECTORS		EN3P_M26		D
				26 GAUGE CONTACTS				