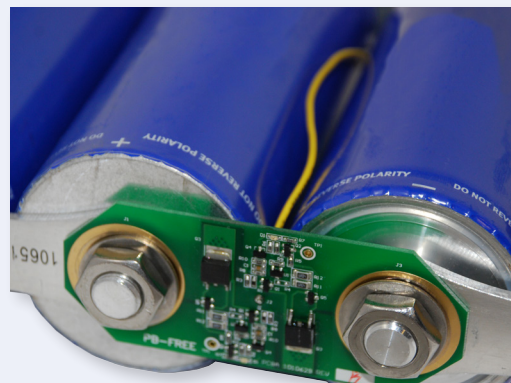


**FEATURES AND BENEFITS**

- Simple design and assembly
- Maximizes system lifetime
- Protects individual ultracapacitors against over voltage
- For 2, 4, or 6 K2 Series ultracapacitors connected in series
- Compatible with ultracapacitors rated at 2.7V and 2.85V

**TYPICAL APPLICATIONS**

- Fast prototyping
- Application specific modules



**PRODUCT SPECIFICATIONS**

**ELECTRICAL**

	BKIT-MCINT	BKIT-MCIHT
Turn-on threshold ( $V_{on}$ )	2.6 ± .05 V	-
Turn-off threshold	( $V_{on} - 0.03$ ) to ( $V_{on} - 0.1$ ) V	-
On-state current	225 ± 25 mA	-
Off-state current	< 60 $\mu$ A	-
Allowable operating voltage range	-1.0 V to 3.0 V	-
Balancing resistor value	-	49.9 $\Omega$

**ENVIRONMENT**

Operating Temperature Range	-40°C to +65°C	-40°C to +65°C
Humidity		
Non-condensing at +25°C	0% to 90%	0% to 90%
Non-condensing at +50°C	0% to 70%	0% to 70%

**INCLUDED IN INTEGRATION KIT PACKAGE**

- 3 x Rivets (AD41-43ABS, 1100 Aluminum)
- 3 x PCBA (93.4 x 38.1mm)
- 6 x Buss Bars (31.8 x 94.8 x 3.2mm, 6061 Aluminum)
- 12 x Washers (M12 DIN137B Steel)
- 12 x Retaining Nuts (M12-1.75 x 6mm Steel)

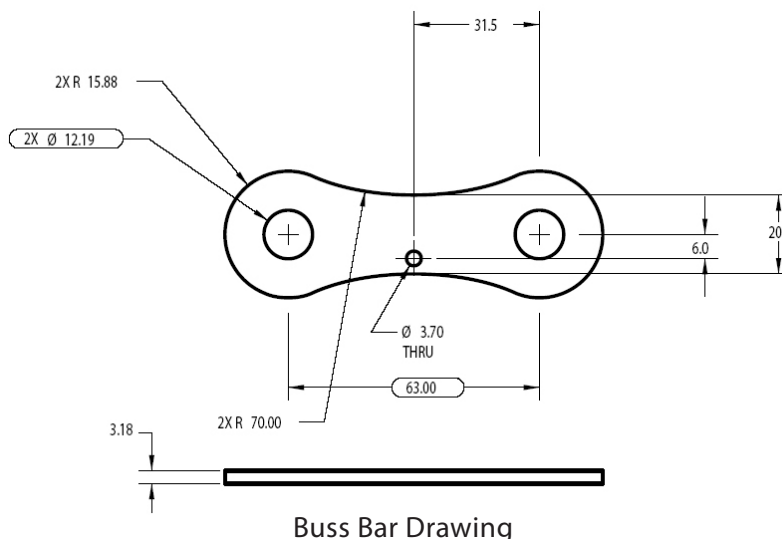
**ORDERING INFORMATION**

- Integration Kit with active PCBA:  
BKIT-MCINT (Part number 106927)
- Integration Kit with passive PCBA:  
BKIT-MCIHT (Part number 108320)

**MOUNTING RECOMMENDATIONS**

For complete assembly instructions please refer to the Integration Kit User Manual (document number 1011158). Torque each connection to 12 ± 2 Nm.

Maxwell Technologies cell balance boards are designed to limit any over voltage of the individual capacitors during proper rated system use. The circuit is capable of sinking up to 250mA of current to reduce over voltage on cells. When cells are balanced, the circuit draws less than 60µA (approximately 1% of the typical leakage current of a 3000 F cell). There is no need to externally control the circuit.



\*Refer to user manual for product variant details.

Product dimensions are in millimeters and for reference only unless otherwise identified. Product dimensions and specifications may change without notice. Please contact Maxwell Technologies directly for any technical specifications critical to application. All products featured on this datasheet are covered by the following U.S. patents and their respective foreign counterparts: 6643119, 7295423, 7342770, 7352558, 7384433, 7440258, 7492571, 7508651, 7791860, 7791861, 7816891, 7859826, 7883553, 7935155, 8072734, 8098481, 8279580, and patents pending.



**Maxwell Technologies, Inc.**  
**Global Headquarters**  
 3888 Calle Fortunada  
 San Diego, CA 92123  
 USA  
 Tel: +1 (858) 503-3300  
 Fax: +1 (858) 503-3301



**Maxwell Technologies SA**  
 Route de Montena 65  
 CH-1728 Rossens  
 Switzerland  
 Tel: +41 (0)26 411 85 00  
 Fax: +41 (0)26 411 85 05



**Maxwell Technologies, GmbH**  
 Leopoldstrasse 244  
 80807 München  
 Germany  
 Tel: +49 (0)89 / 4161403 0  
 Fax: +49 (0)89 / 4161403 99



**Maxwell Technologies, Inc.**  
**Shanghai Trading Co. Ltd**  
 Unit A2BC, 12th Floor  
 Huarun Times Square  
 500 Zhangyang Road, Pudong  
 Shanghai 200122, P.R. China  
 Phone: +86 21 3852 4000  
 Fax: +86 21 3852 4099



**Maxwell Technologies Korea Co., Ltd**  
 Room 1524, D-Cube City  
 Office Tower, 15F #662  
 Gyeongin-Ro, Guro-Gu,  
 Seoul, Korea, 152-706  
 Phone: +82 10 4518 9829

MAXWELL TECHNOLOGIES, MAXWELL, MAXWELL CERTIFIED INTEGRATOR, ENABLING ENERGY'S FUTURE, BOOSTCAP, C CELL, D CELL and their respective designs and/or logos are either trademarks or registered trademarks of Maxwell Technologies, Inc. and may not be copied, imitated or used, in whole or in part, without the prior written permission from Maxwell Technologies, Inc. All contents copyright © 2015 Maxwell Technologies, Inc. All rights reserved. No portion of these materials may be reproduced in any form, or by any means, without prior written permission from Maxwell Technologies, Inc.